



appliances  
2014

design.living



Every Caple appliance combines intuitive technology, functional engineering and contemporary design, through and through.

## Contents

Energy efficient appliances	4
Freestanding appliances	6
Integrated appliances	8
Our Sense range	10
Range cookers	16
Ovens	28
Steam oven	52
Microwaves	58
Coffee machine	68
Warming and storage drawers	74
Hobs	82
Hoods	114
Splashbacks	174
Refrigeration	180
Wine cabinets	218
Dishwashers	238
Laundry	248
Venting	257
Waste disposers	258
Installation diagrams	262
Guarantee information	290



Caple, is a member of AMDEA – the Association of Manufacturers of Domestic Appliances.

This membership will ensure Caple is kept fully informed of any proposed developments or changes in legislation, regulations and conditions, which may impact on the appliance industry. AMDEA's work includes supporting members who strive to reduce energy and water consumption, correctly dispose of appliances when they reach the end of their usable life and ensure that public health and safety is safeguarded at all times.

AMDEA is the UK trade association for manufacturers and importers of household appliances, large and small.

Here at Caple performance and reliability are the most important features considered when designing and manufacturing our products.

We offer a free 2 year guarantee on parts and labour with all products across the Caple range. It gives you that extra piece of mind needed when selecting the components to design your perfect kitchen, without spending an extra penny. For our extended guarantees see page 290.

FREE  
YEAR  
2

GUARANTEE

PARTS & LABOUR





# better environments

With a new kitchen, performance, price and style are always important. And now the environment is too.

Choosing a product with an A, A+, A++ or even A+++ energy rating will not only help the environment, but will also cut the cost of your bills. We offer an extensive range of energy saving appliances that utilise advanced technological solutions to deliver outstanding efficiency – protecting our planet and saving you money. When looking for A, A+, A++ or A+++ energy rated appliances, watch out for our green energy efficient icon.



## Energy ratings explained

All electric ovens, range cookers, refrigerators, freezers, wine cabinets, dishwashers, washing machines, washer dryers and tumble dryers are rated using a standardised method. It's handy, because it makes comparing them much easier.

Look out for electric double ovens featuring a main and smaller oven, as the energy rating will differ between the two. Washing machines have additional ratings for wash performance and spin efficiency too. Likewise, dishwashers have separate ratings for washing and drying performance.



## Ssshhh

Nobody wants a noisy appliance. So we take special care to make sure ours are as quiet as possible. In fact, we have a range of low-noise, high-performance, technology. There are dishwashers, large side-by-side fridge freezers and even ultra-quiet wine cabinets.

# outstanding

Create some drama in your kitchen with one of our freestanding appliances.



## Freestanding appliances

Caple has freestanding appliances for every kitchen. Stunning wine cabinets, elegant range cookers, plus an ingenious tumble dryer that uses steam to reduce creases. There's also a stylish French door large fridge freezer that is 'A+' rated, the same as the majority of our refrigeration.

### Products details

Sense range cooker CR1207 – see pg 22

Wine cabinet WF1547 – see pg 229

French door fridge freezer CAFF40BK – see pg 186

Tumble dryer TDF200 – see pg 256



# anything but ordinary

Our fully-integrated appliances bring style to any kitchen. Effortlessly chic, with a feel that's bang up to date.

Our integrated appliances look great, and they're practical and space-saving too. From concealed refrigerators and dishwashers to washing machines and dryers, they make every bit of space work harder. Hidden away when you don't need them, instantly on-hand when you do.



## Product details

In column larder and freezer RiL178  
& RiF178 – see pg 208 and 209

Integrated sensor tumble dryer  
TDi110 – see pg 255

Integrated dishwasher  
Di628 – see pg 243







Concealed appliances bring a minimalist look, freeing you up for bold statement pieces such as wine cabinets or coloured range cookers. It's an idea encapsulated in our Sense range. State-of-the-art design, yet still with advanced functionality.



# seamless

Sense is a range of appliances designed to work in harmony. Smooth black glass, unwaveringly clean lines and precision-crafted stainless steel.

Revel in the detail. Sleek and unobtrusive LED-lit touch controls, elegant stainless steel handles and a precision finish. And behind the scenes, the latest technology with intelligent solutions and heaps of performance and control.



Look a little closer and you'll discover the uncompromising attention to detail that makes all the difference. Like those sleek LED-lit touch controls that maintain the smooth design continuity. And elegant stainless steel handles that combine sophistication with solid engineering.

Now look even closer, because behind those luxurious facades is the advanced electronic technology that really sets sense apart: smart thinking and intelligent solutions that deliver the ultimate in performance, functionality and control.



# more than meets the eye

At Caple, we're always looking for how things can be done better. With our Sense range, we've made kitchen duty a pleasure.

Some Sense appliances come with fingertip touch control for crisp styling and ease of use. Our wine cabinets even use an advanced compressor cooling system to store wines and other drinks at the perfect temperature. There's also a downdraft hood with perimetrical extraction and motor positioning options to cut noise and boost performance.

Our steam ovens use steam injection for precise temperature consistency, and every gas hob has a Flame Safe feature which temporarily cuts gas supply if the flame goes out. Plus, there's a unique space-saving oven with a warming drawer to store your tableware until just the right moment. Performance, functionality, control. It all makes Sense.





## Product details

- 1 Sense under-counter wine cabinet Wi6227 – see pg 227
- 2 Sense fully automatic coffee machine with touch control CM461 – see pg 72
- 3 Sense downdraft hood with touch control DD910BK – see pg 123
- 4 Sense dual fuel double cavity range cooker CR1207 – see pg 22
- 5 Sense in-column single zone wine cabinet WC6112 – see pg 228
- 6 Sense 48cm electric single oven with touch control C2282 – see pg 40  
Sense push pull warming drawer SWMD1054 – see pg 78



Obsessive design, state-of-the-art technology.  
Our Sense range brings true modularity.



## Products details

Sense electric single oven  
C2100 – see pg 41

Sense combination microwave  
CM109 – see pg 60

Sense steam oven  
SO109 – see pg 56

Sense fully automatic  
coffee machine  
CM461 – see pg 72

Sense warming drawer  
WMD1356 – see pg 78





## How fitting

Our Sense modular design system brings it all together perfectly. There's everything you need for complete precision, from a touch-control fan-assisted steam oven with electronic programming, to a coffee machine that always makes the perfect cup of coffee to your taste. Bring all the appliances you need into a single, immaculate, collection.

# range cookers

With outstanding performance, Caple cookers are designed with the home chef in mind. Bring flair and finesse to whatever you're cooking up.





# range cooker functions

Our cooker range has every bit of functionality you need:

Function	Food
 <p><b>Conventional Heat</b> <i>Top and bottom elements</i></p> <p>For cooking consistently through to the middle.</p>	 <p>Ideal for baking. For best results, use one shelf only.</p>
 <p><b>Top Heat</b> <i>Top element only</i></p> <p>Gentle heat to brown the top of a dish.</p>	 <p>Ideal for pasta or potato dishes.</p>
 <p><b>Base Heat</b> <i>Bottom element only</i></p> <p>For re-heating cooked food or keeping meals warm.</p>	 <p>All food types.</p>
 <p><b>Grill / Full Grill</b> <i>Full width grill</i></p> <p>Even and consistent grilling.</p>	 <p>Best used for larger pieces of steak or fish.</p>
 <p><b>Eco Grill</b> <i>Half width grill</i></p> <p>Energy-saving inner grill section only.</p>	 <p>Great for small portions of food, like bacon or toast.</p>

Function	Food	
	<p><b>Rotisserie Conventional Heat / Rotisserie Grill</b></p> <p>For succulent roasting and even browning.</p>	 <p>For succulent roasting and even browning.</p>
	<p><b>Fan Heat</b> <i>Fan element only</i></p> <p>Fast and economical cooking for a crispy outside and soft inside. Cooks more than one food type without transferring smells or tastes too. No pre-heat required.</p>	 <p>Great for juicy roasts.</p>
	<p><b>Top plus Fan Heat</b> <i>Fan assisted top element</i></p> <p>Fast browning.</p>	 <p>To finish off a cooked dish, or melt a cheese topping without the worry of overcooking.</p>
	<p><b>Turbo Base Heat</b> <i>Fan assisted bottom element</i></p> <p>Designed for delicate and slow cooking.</p>	 <p>Perfect for casseroles or stews.</p>
	<p><b>Turbo Conventional Heat</b> <i>Fan assisted top and bottom elements</i></p> <p>Fast and even heat distribution. Cooks more than one food type without transferring of smells or tastes.</p>	 <p>For light and delicate baking, such as pastry or bread.</p>
	<p><b>Turbo Defrost</b> <i>Fan only no elements</i></p> <p>No heat, fan only.</p>	 <p>It uses fan power at room temperature to cut defrosting time in half.</p>
	<p><b>Turbo Grill</b> <i>Fan assisted full grill</i></p> <p>For quick browning.</p>	 <p>Perfect for cooking meats, while retaining all the delicious juices.</p>

# sense range cookers

Bring flair and sophistication to your kitchen. And choose from a host of clever new features.

The Sense range takes the benefits of range cooking to the next level. Every model comes with a wok support, rotisserie, and responsive touch controls for intuitive precision.

Gas models also feature a dual control triple burner and the Flame Safe feature to temporarily cut the gas supply if the flame goes out. There's also an optional ceramic hob.



You already know the advantages of range cooking, so explore some of the advanced features that make Sense range cookers such a natural choice for discerning cooks. Gas ranges come with wok supports and their own rotisserie for that perfect roast. There's a ceramic hob option too.

All models have responsive touch control timers, so precision is built in. There's also a dual control triple burner on each gas model, as well as Flame Safe on all burners – so if a hob flame goes out, the gas supply to that hob is cut straight away.



## Features

Fully programmable touch-control electronic LED timer  
Easy to manage time display and programming functions. (1)

Rotisserie  
All models have a rotisserie for exquisite oven roasting. (2)

Door glass  
Heat reflective doors. Double-glazed and incorporating a full inner glass panel that's easily removed for cleaning. (3)

Flame Safe  
A sensor in each burner immediately cuts the gas supply if the flame goes out. (4)

Cast-iron supports  
Gas hob models come with robust cast iron pan and wok supports. (5)

Catalytic liners  
Self-cleaning catalytic liners available as an optional extra on all models. (6)

LPG Jets  
An alternative set of jets is supplied with each model so it can be used with bottled gas.

### The dual control triple ring burner



This unique cooking option is all about flexibility and control. It works by giving you independent control of both the inner and outer flames, so you can use them alone or in combination to create optimum heat spread. This burner even has its own specially designed wok support that quickly slots neatly into place. Perfect results, whatever size or shape your pan is.



### Sense CR1207

Dual fuel double cavity range cooker

W 1000mm



#### Main oven features

Energy class **A**

#### 8 Functions:

- light
- conventional heat
- turbo conventional heat
- fan heat
- top plus fan heat
- grill
- turbo grill
- turbo defrost

65 Litre capacity

Fully programmable touch control electronic LED timer

#### Small oven features

Energy class **B**

#### 5 Functions:

- light
- conventional heat
- grill
- rotisserie conventional heat
- rotisserie grill

40 Litre capacity

#### Hob features

5 Gas burners:

- 1 triple ring burner 3.5kW
- 1 dual control triple burner 4.5kW (with wok support)
- 2 semi-rapid burners 1.75kW
- 1 simmer burner 1.0kW

Auto electronic ignition

Flame safety device

Heavy duty cast iron pan supports

Cast iron wok support



### Sense CR9207

Dual fuel double cavity range cooker

W 900mm



#### Main oven features

Energy class **A**

#### 8 Functions:

- light
- conventional heat
- turbo conventional heat
- fan heat
- top plus fan heat
- grill
- turbo grill
- turbo defrost

65 Litre capacity

Fully programmable touch control electronic LED timer

#### Small oven features

Energy class **B**

#### 5 Functions:

- light
- conventional heat
- grill
- rotisserie conventional heat
- rotisserie grill

40 Litre capacity

#### Hob features

5 Gas burners:

- 1 triple ring burner 3.5kW
- 1 dual control triple burner 4.5kW (with wok support)
- 2 semi-rapid burners 1.75kW
- 1 simmer burner 1.0kW

Auto electronic ignition

Flame safety device

Heavy duty cast iron pan supports

Cast iron wok support



#### General features

Stainless steel side panels

Black glass doors

Stainless steel, black-spot feature bar handles

Double glazed doors with heat reflective glass

Full glass doors with removable inner glass

Cooling fans in both ovens

Closed door grilling

Soft close door hinges

Storage compartment

LPG jets included

Self-cleaning catalytic liners available

#### Accessories

1 Shelf with support racks in main oven

1 Shelf with support racks in small oven

2 Grill pans with handles

2 Enamelled baking trays

1 Rotisserie rack

#### Electrical connection

Rated load 4.09kW

Fuse rating 20A

#### Optional extras

Pair of side catalytic liners for large oven CAPCAT1

Pair of side catalytic liners for small oven CAPCAT1

## Sense CR9227

Electric double cavity range cooker

W 900mm



## Main oven features

Energy class

A

## 8 Functions:

- *light*
- *conventional heat*
- *turbo conventional heat*
- *fan heat*
- *top plus fan heat*
- *grill*
- *turbo grill*
- *turbo defrost*

65 Litre capacity

Fully programmable touch control electronic LED timer

## Small oven features

Energy class

B

## 5 Functions:

- *light*
- *conventional heat*
- *grill*
- *rotisserie conventional heat*
- *rotisserie grill*

40 Litre capacity

## Hob features

## 5 Ceramic plates:

- *1 single rapid radiant zone 1.7kW*
- *2 single simmer radiant zones 1.2kW/145mm*
- *1 double circular radiant zone 0.7/2.1kW*
- *1 double oval radiant zone 1/1.8kW*

Indicator lights for all zones

## General features

Stainless steel side panels  
 Black glass doors  
 Stainless steel, black-spot feature bar handles  
 Double glazed doors with heat reflective glass  
 Full glass doors with removable inner glass  
 Cooling fan in both ovens  
 Closed door grilling  
 Soft close door hinges  
 Storage compartment  
 Self-cleaning catalytic liners available

## Accessories

1 Shelf with support racks in main oven  
 1 Shelf with support racks in small oven  
 2 Grill pans with handles  
 2 Enamelled baking trays  
 1 Rotisserie rack

## Electrical connection

Rated load 12.09kW  
 Fuse rating 45A

## Optional extras

Pair of side catalytic liners for large oven CAPCAT1  
 Pair of side catalytic liners for small oven CAPCAT1



# classic range cookers

Caple's Classic range of cookers combine exceptional build quality with superb all-round performance.



Each model has stacks of options for even the most ambitious chef. Choose from a range of different formats to suit your needs, such as a single or double oven and the width that's just right for your kitchen. You can also select from an all-gas model, or opt for the versatility of dual fuel. All our range cookers come with Flame Safe as well, which instantly cuts the gas supply if the flame goes out. Our ovens also have LPG jets, so they work just as well with bottled gas.

## Features

### Cast-iron supports

All models feature sturdy cast iron pan supports. (1)

### Catalytic liners

Self-cleaning catalytic liners available as an optional extra on all models. (2)

### Triple ring burner

Gas hob versions feature a powerful 3.5kw triple ring burner, for more even spread of heat across the pan. (3)

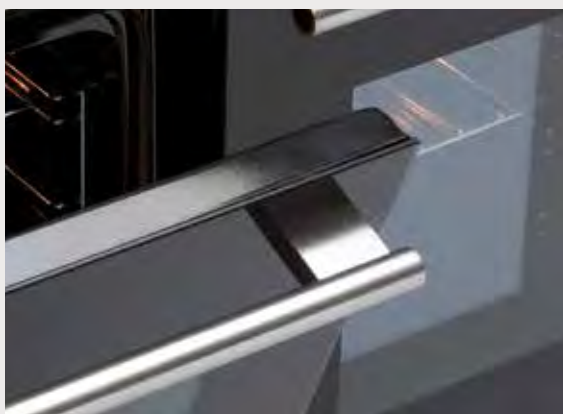
### Flame Safe

A sensor in each burner instantly cuts the gas supply if the flame goes out. (4)

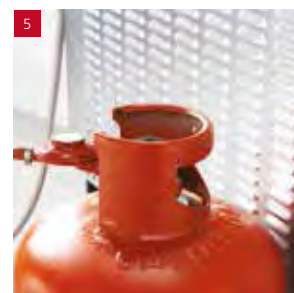
### LPG Jets

Every model has separate jets so it can be used with bottled gas. (5)

All the heat, right where you need it



All our Classic ranges have double-glazed doors with heat-reflective glass. It means the oven door is cool to touch, while the heat is retained inside where it's needed. It's safer, more energy-efficient and it even makes for better cooking. Every Classic range cooker also comes with precision-engineered stainless steel handles, inset with black-spot glass detail.





## CR9208

Dual fuel double cavity range cooker

W 900mm



## Main oven features

Energy class

A

## 4 Functions:

- grill
- fan heat
- turbo defrost
- light

65 Litre capacity

Cooling fan

Thermostatic electric oven

60 Minute audible timer

## Small oven features

Energy class

B

## 3 Functions:

- light
- conventional heat
- grill

40 Litre capacity

## Hob features

5 Gas burners:

- 1 rapid burner 3.0kW
- 1 simmer burner 1.0kW
- 2 semi-rapid burners 1.75kW
- 1 triple ring burner 3.5kW

Auto electronic ignition

Flame safety device

Cast iron pan supports

## General features

Black side panels

Black glass doors

Stainless steel, black-spot feature bar handles

Double glazed doors with heat reflective glass

Closed door grilling

Soft close door hinges

Storage compartment

LPG jets included

Self-cleaning catalytic liners available

## Accessories

1 Shelf with support racks in main oven

1 Shelf with support racks in small oven

2 Grill pans

2 Enamelled baking trays

## Electrical connection

Rated load 3.79kW

Fuse rating 20A

## Optional extras

Pair of side catalytic liners for large oven CAPCAT1

Pair of side catalytic liners for small oven CAPCAT1

## CR9218

Gas double cavity range cooker

W 900mm



## Main oven features

3 Functions:

- light
- gas cooking
- gas grill

61 Litre capacity

Auto electronic ignition

60 Minute audible timer

## Small oven features

2 Functions:

- light
- gas cooking

40 Litre capacity

Auto electronic ignition

## Hob features

5 Gas burners:

- 1 rapid burner 3.0kW
- 1 simmer burner 1.0kW
- 2 semi-rapid burners 1.75kW
- 1 triple ring burner 3.5kW

Auto electronic ignition

Flame safety device

Cast iron pan supports

## General features

Black side panels

Black glass doors

Stainless steel, black-spot feature bar handles

Double glazed doors with heat reflective glass

Open door grilling (heat shield supplied)

Soft close door hinges

Safety valves for oven and grill

Storage compartment

LPG jets included

Self-cleaning catalytic liners available

## Accessories

1 Shelf with support racks in main oven

1 Shelf with support racks in small oven

2 Grill pans

2 Enamelled baking trays

## Electrical connection

Fuse rating 3A

## Optional extras

Pair of side catalytic liners for large oven CAPCAT1

Pair of side catalytic liners for small oven CAPCAT1



**CR9108**

Dual fuel single cavity range cooker

W 900mm

**Oven features**

Energy class

D

**4 Functions:**

- *grill*
- *fan heat*
- *turbo defrost*
- *light*

100 Litre capacity

Cooling fan

60 Minute audible timer

**Hob features****5 Gas burners:**

- *1 rapid burner 3.0kW*
- *1 simmer burner 1.0kW*
- *2 semi-rapid burners 1.75kW*
- *1 triple ring burner 3.5kW*

Auto electronic ignition

Flame safety device

Cast iron pan supports

**General features**

Black side panels

Black glass doors

Stainless steel, black-spot  
feature bar handleDouble glazed door with  
heat reflective glass

Closed door grilling

Soft close door hinges

Storage compartment

LPG jets included

Self-cleaning catalytic liners  
available**Accessories**1 Shelf with support racks  
in main oven1 Shelf with support racks  
in small oven

2 Grill pans

2 Enamelled baking trays

**Electrical connection**

Rated load 3.52kW

Fuse rating 20A

**Optional extras**Pair of side catalytic liners  
CAPCAT1

# ovens

There's a Caple oven for every kind of kitchen and every type of lifestyle.







# oven functions

Caple's oven range features the following electric cooking functions:

Function	Food
 <p><b>Conventional Heat / Conventional Eco Heat</b> <i>Top and bottom elements</i> For cooking consistently through to the middle.</p>	 <p>Perfect for baking. For best results, use one shelf only.</p>
 <p><b>Top Heat</b> <i>Top element only</i> Gentle heat to brown the top of a dish.</p>	 <p>Great for pasta or potato dishes.</p>
 <p><b>Base Heat</b> <i>Bottom element only</i> For re-heating cooked food or for keeping food warm.</p>	 <p>All food types.</p>
 <p><b>Full Grill</b> <i>Full width grill</i> Even and consistent grilling.</p>	 <p>Best used for larger pieces of steak or fish.</p>
 <p><b>Eco Grill</b> <i>Half width grill</i> Energy saving inner grill section only.</p>	 <p>Small portions of food, such as bacon or toast.</p>
 <p><b>Grill plus Base heat</b> <i>Full grill and bottom element</i> Maintaining a consistent temperature throughout the oven cavity.</p>	 <p>Ideal for giving a nice crisp outside – so it's perfect for pies.</p>

Function	Food
----------	------

	<p><b>Rotisserie</b></p> <p>For succulent roasting and even browning.</p>	 <p>Available on the C2900, once installed into the oven the rotisserie is switched on automatically when using any grill function.</p>
	<p><b>Fan Heat / Fan Heat Plus</b> <i>Fan element / Fan, top and bottom elements</i></p> <p>Fast and highly efficient cooking to crisp the outside and keep the inside soft.</p>	 <p>For juicy roasts, no pre-heat required. Fan Heat Plus uses the top and bottom elements as well, to deliver the right temperature even faster.</p>
	<p><b>Top plus Fan Heat</b> <i>Fan assisted top element</i></p> <p>Heat is from both rear and upper elements.</p>	 <p>Great for re-heating and helping to keep warm already cooked foods.</p>
	<p><b>Base plus Fan Heat</b> <i>Fan element and bottom element</i></p> <p>Circulated heat from two directions.</p>	 <p>Perfect for crispy pizza bases, or for finishing pastry bases.</p>
	<p><b>Turbo Conventional Heat</b> <i>Fan assisted top and bottom elements</i></p> <p>Fast and even heat distribution.</p>	 <p>For light and delicate baking, such as pastry or bread. Ideal for more than one food type without the transfer of smells or tastes.</p>
	<p><b>Turbo Base Heat</b> <i>Fan assisted bottom element</i></p> <p>Designed for delicate and slow cooking.</p>	 <p>Perfect for casseroles or stews.</p>
	<p><b>Turbo Grill / Turbo Eco Grill</b> <i>Fan assisted full or half grill</i></p> <p>For quick browning.</p>	 <p>Perfect for cooking meats whilst retaining all the delicious juices.</p>
	<p><b>Turbo Defrost</b> <i>Fan only no elements</i></p> <p>No heat, fan only.</p>	 <p>Uses fan power at room temperature to cut defrosting time in half.</p>

# recommended combinations

C2100 oven



CM109 microwave



SO109 steam oven



CM461 coffee machine



WMD1356 warming drawer

WMD1356 warming drawer

SD1356 storage drawer

C2361 oven



CM109 microwave



SO109 steam oven



CM461 coffee machine



WMD1356 warming drawer

WMD1356 warming drawer

SD1356 storage drawer

CM109 microwave



SO109 steam oven



CM2400 microwave



CM119 microwave



C2100 oven



WMD1356 warming drawer

C2361 oven



WMD1356 warming drawer

C2472 oven



WMD1356 warming drawer

C2216 oven



WMD1354 warming drawer

All our compact appliances are designed to work with their matching oven, while the choice is endless, it is important that when designing your kitchen you choose the right combination for your needs.

Compact appliances can be arranged in many different formats to suit your cooking requirements and utilise space effectively. We have shown here some examples of appliances that complement one another.

SO109 steam oven



CM109 microwave



C2361 oven

CM461 coffee machine  
WMD1356 warming drawer

SO109 steam oven



CM109 microwave



C2100 oven

CM461 coffee machine  
WMD1356 warming drawer

CM109 microwave



CM461 coffee machine



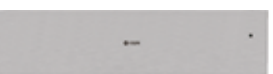
C2100 oven



C2100 oven



WMD1356 warming drawer



WMD1356 warming drawer

CM109 microwave



SO109 steam oven



C2361 oven



C2361 oven



WMD1356 warming drawer



SD1356 storage drawer

To add a contemporary look to your kitchen opt for a linear design with clean, well defined edges showcasing your appliances. If space is an issue select two products sitting one on top of the other in a simple stack. Or why not create your own unique quad combining four appliances and warming drawers all of which fit neatly together.



## sense ovens

A style led range of ovens with 'A' or 'A -20%' energy-rated performance, Sense control technology, and near-obsessive attention to detail.



Our top of the range Sense oven series brings you 'A -20%' energy rated performance and an uncompromising attention to detail – not only in the way it works, but in the way it looks too. Featuring innovative touch control technology, every Sense oven delivers outstanding results, whatever the cooking task.

### Make the most of your space

Our C2282 oven offers superb cooking performance, even if you're short of space. At just 48cm in height, it boasts a full size oven cavity and 14 functions. Combine it with the matching SWMD1054 warming drawer and it fits perfectly into a standard single oven space, so while the oven's doing its work, you can make sure that your tableware is at the perfect temperature for serving.



# sometimes big really is better

We've squeezed every bit of performance and control we could into this oven. It even helps cleaning.

At 90cm wide and with a 84 litre capacity, the C2900 brings the kind of versatility normally associated with range cookers. It also comes with telescopic shelves, rotisserie, 14 cooking functions and a touch control programmable electronic timer. There's a boost function for rapid re-heating too, plus a handy quick cleaning system and two interior lights.

Or there's the XL C3400 with two full-size 53 litre oven cavities, bringing all the versatility of a double oven, with range cooker capacity. It also features telescopic shelves, a touch control programmable electronic timer, push/pull dials, full-width inner glass doors and tangential cooling fans.



## Self-cleaning technology

Our C2472 oven features pyrolytic technology to effectively eliminate the need for manual cleaning altogether.



Forget scrubbing your oven. Self-cleaning technology, or to give it its technical terminology, Pyrolytic technology works by heating the oven to 450°C, causing even hidden-away and baked-on grime to carbonise into a fine ash. When it's done, just use a damp sponge to wipe the ash out. Not only does it save you vast amounts of elbow grease, it actually improves oven efficiency over time too.

## 14 functions... and more

As well as range of versatile cooking functions to help you prepare that perfect meal, our 14 function ovens offer some great time and labour-saving features too.

A clever Clean function returns your oven to a fresh and spotless condition in just 60 minutes, taking advantage of special enamel with a micro-porous structure to oxidise residues at 250°C. And a Boost function which preheats the oven in super quick time, making sure it reaches just the right temperature for whatever food you're preparing.

## Features

### Touch control

All models have fully-programmable touch control timers, and some models have full touch control. (1)



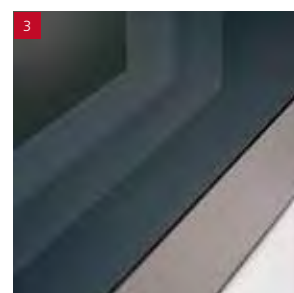
### Push-pull knobs

Some models feature ergonomic positive response push-pull dials. (2)



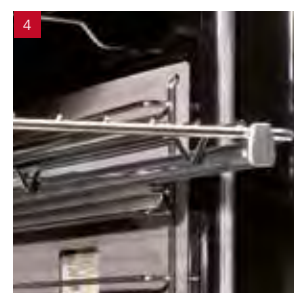
### Door quality

Sealed cool-touch doors are fitted with high quality hinges and double or triple layer full-width glass. (3)



### Telescopic shelves, catalytic liners and large side lights

Most models have telescopic shelves (fixed to chrome side racks) which make it easier to check food as it cooks. Fitted or optional catalytic liners make oven cleaning easier, and premium models (excluding C2472) have enhanced lighting with super-bright and over-sized side lights. (4)



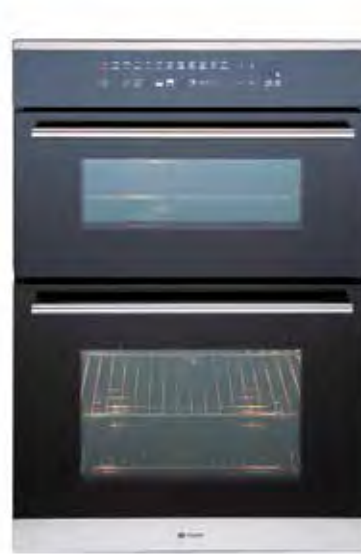


**Sense XL C3400**

Electric double oven

**Sense C3370**

Electric double oven



**Top oven features**

Energy class **A**

**8 Functions:**

- *light*
- *conventional heat*
- *fan heat*
- *full grill*
- *turbo defrost*
- *turbo grill*
- *turbo conventional heat*
- *top heat plus fan*

53 Litre capacity

Touch control programmable electronic timer

Double glazed door with heat reflective glass

Self-cleaning catalytic liners available

**Bottom oven features**

Energy class **A**

**8 Functions:**

- *light*
- *conventional heat*
- *fan heat*
- *full grill*
- *turbo defrost*
- *turbo grill*
- *turbo conventional heat*
- *top heat plus fan*

53 Litre capacity

Double glazed door with heat reflective glass

Self-cleaning catalytic liners available

**General features**

Stainless steel and black glass  
Stainless steel, black-spot feature bar handles

Push-pull knobs

Grey easy to clean enamel interiors

Closed door grilling

Tangential cooling fan

Smooth oven sides with chrome shelf racks

Full width inner glass doors

Rear and side interior light in each cavity

**Accessories**

- 1 Telescopic shelf in top oven
- 1 Telescopic shelf in bottom oven

1 Grill pan with handle in top oven

1 Grill pan with handle in bottom oven

**Electrical connection**

Rated load 5.95kW

Fuse rating 25A

**Optional extras**

Side and rear catalytic liners for each oven CAPCAT12 (1 set per oven cavity)

**Top oven features**

Energy class **A**

**5 Functions:**

- *light*
- *base heat*
- *conventional heat*
- *eco grill*
- *full grill*

40 Litre capacity

Touch control programmable electronic timer

Double glazed door with heat reflective glass

**Bottom oven features**

Energy class **A-20%**

**14 Functions:**

- *lights*
- *conventional heat*
- *top heat*
- *base heat*
- *eco grill*
- *full grill*
- *turbo grill*
- *turbo conventional heat*
- *fan heat*
- *base plus fan heat*
- *turbo defrost*
- *grill plus base heat*
- *boost*
- *clean*

66 Litre capacity

Touch control programmable electronic timer

Triple glazed door with heat reflective glass

Self-cleaning catalytic liners available

**General features**

Stainless steel and black glass  
Stainless steel, black-spot feature bar handles

White spotted easy-to-clean enamel interior

Closed door grilling

Tangential cooling fan

Smooth and flat oven sides with chrome shelf racks

Full width sealed inner door glass

2 side interior lights in bottom oven, 1 light in rear of top oven

**Accessories**

- 1 Safety-stop shelf in top oven
- 2 Safety-stop shelves in bottom oven

1 Grill pan with handle

1 Enamelled baking tray

Multiple position telescopic shelving racks available for top and bottom ovens

**Electrical connection**

Rated load 5.35kW

Fuse rating 30A

**Optional extras**

Catalytic liner set for bottom oven CAPCAT13

Multiple position telescopic shelving racks available for top and bottom ovens CAPRACK2



## Sense C4360

Electric built-under oven



### Top oven features

Energy class

A

4 Functions:

- *light*
- *base heat*
- *conventional heat*
- *full grill*

40 Litre capacity

Double glazed door with heat reflective glass

### Bottom oven features

Energy class

A

7 Functions:

- *light*
- *conventional heat*
- *turbo conventional heat*
- *fan heat*
- *turbo base heat*
- *eco grill*
- *turbo grill*

51 Litre capacity

Touch control programmable electronic timer

Triple glazed door with heat reflective glass

Self-cleaning catalytic liners available

### General features

Stainless steel and black glass

Stainless steel, black-spot feature bar handles

Push-pull knobs

White spotted easy-to-clean black enamel interior

Closed door grilling

Tangential cooling fan

Smooth and flat oven sides with chrome shelf racks

Full width sealed inner door glass

1 Interior light in each oven cavity

### Accessories

1 Safety-stop shelf in top oven

1 Safety-stop shelf in bottom oven

1 Grill pan with handle

1 Enamelled baking tray

Dual position telescopic shelving racks available for bottom oven

### Electrical connection

Rated load 3.65kW

Fuse rating 20A

### Optional extras

Catalytic liner set for both ovens CAPCAT7

Dual position telescopic shelving racks for bottom oven CAPRACK2



**Sense C2900**

Electric single oven

W 900mm



**Oven features**

Energy class **A**

**14 Functions:**

- lights
- conventional heat
- top heat
- base heat
- eco grill
- full grill
- turbo grill
- turbo conventional heat
- fan heat
- base plus fan heat
- turbo defrost
- grill plus base heat
- boost
- clean

84 Litre capacity

Touch control programmable electronic timer

Rotisserie

Triple glazed door with heat reflective glass

Self-cleaning catalytic liners

**General features**

Stainless steel and black glass  
Stainless steel, black-spot feature bar handle

White spotted easy-to-clean black enamel interior

Closed door grilling

Tangential cooling fan

Smooth and flat oven sides with chrome shelf racks

Full width sealed inner door glass

2 Side interior lights

**Accessories**

- 1 Safety-stop shelf
- 1 Grill pan with handle
- 1 Enamelled baking tray
- Multiple position telescopic shelving

**Electrical connection**

Rated load 3.50kW  
Fuse rating 20A



**Sense 48cm C2282**

Electric single oven



**Oven features**

Energy class **A-20%**

**14 Functions:**

- lights
- conventional heat
- top heat
- base heat
- eco grill
- full grill
- turbo grill
- turbo conventional heat
- fan heat
- base plus fan heat
- turbo defrost
- grill plus base heat
- boost
- clean

66 Litre capacity

Touch control programmable electronic timer

Triple glazed door with heat reflective glass

Self-cleaning catalytic liners

**General features**

Black glass  
Stainless steel, black-spot feature bar handle

White spotted easy-to-clean black enamel interior

Closed door grilling

Tangential cooling fan

Smooth and flat oven sides with chrome shelf racks

Full width sealed inner door glass

2 Side interior lights

**Accessories**

- 1 Safety-stop shelf
- 1 Grill pan with handle
- 1 Enamelled baking tray
- Dual position telescopic shelving

**Electrical connection**

Rated load 3.50kW  
Fuse rating 20A



Combine a C2282 oven with its matching SWMD1054 warming drawer to fit into a standard single oven space – see pg 78



**Sense C2100**

Electric single oven

**Sense C2472**

Electric pyrolytic single oven

**Oven features**Energy class **A-20%****14 Functions:**

- *lights*
- *conventional heat*
- *top heat*
- *base heat*
- *eco grill*
- *full grill*
- *turbo grill*
- *turbo conventional heat*
- *fan heat*
- *base plus fan heat*
- *turbo defrost*
- *grill plus base heat*
- *boost*
- *clean*

66 Litre capacity

Touch control programmable electronic timer

Triple glazed door with heat reflective glass

Self-cleaning catalytic liners

**General features**Stainless steel and black glass  
Stainless steel, black-spot feature bar handle

White spotted easy-to-clean black enamel interior

Closed door grilling

Tangential cooling fan

Smooth and flat oven sides with chrome shelf racks

Full width sealed inner door glass

2 Side interior lights

**Accessories**

- 1 Safety-stop shelf
- 1 Grill pan with handle
- 1 Enamelled baking tray
- Dual position telescopic shelving

**Electrical connection**

Rated load 3.50kW

Fuse rating 20A

**Oven features**Energy class **A****10 Functions:**

- *light*
- *conventional heat*
- *fan heat*
- *base heat*
- *eco grill*
- *full grill*
- *turbo grill*
- *turbo conventional heat*
- *turbo defrost*
- *pyrolytic self cleaning*

70 Litre capacity

White LED display with push-pull controls

Programmable electronic clock

Digital minute minder

Quadruple glazed door with heat reflective glass

**General features**Stainless steel and black glass  
Stainless steel, black-spot feature bar handle

Grey enamel interior

Child lock

Smooth and flat oven sides with chrome shelf racks

Full width inner door glass

Interior light

**Accessories**

- 1 Shelf
- 1 Grill pan and handle
- Multiple position telescopic shelving

**Electrical connection**

Rated load 3.2kW

Fuse rating 15A





## Sense C2361

Electric single oven



## Oven features

Energy class ◀ A-20%

## 9 Functions:

- *lights*
- *conventional heat*
- *turbo conventional heat*
- *fan heat*
- *base heat*
- *base plus fan heat*
- *full grill*
- *eco grill*
- *turbo eco grill*

66 Litre capacity

Touch control programmable electronic timer

Triple glazed door with heat reflective glass

Self-cleaning catalytic liners

## General features

Stainless steel and black glass

Stainless steel, black-spot feature bar handle

Push-pull knobs

White spotted easy-to-clean black enamel interior

Closed door grilling

Tangential cooling fan

Smooth and flat oven sides with chrome shelf racks

Full width sealed inner door glass

2 Side interior lights

## Accessories

2 Safety-stop shelves

1 Grill pan with handle

1 Enamelled baking tray

Dual position telescopic shelving

## Electrical connection

Rated load 3.45kW

Fuse rating 20A



# classic ovens



# kitchen engineering with everyone in mind

This high-performance classic range comes with plenty of standard and optional features.

Classically designed, as the name suggests in sheer black glass and stainless steel. There are fully-programmable electronic timers. Cool-touch doors that do just that,

they stay cool when the oven is on. Plus easy-clean shelf supports. The push-pull dials become flush to the fascia when not in use as well, for clean and smooth lines.



## Clever thinking

Our C2219 ovens open to a full 180 degrees, so you can reach right inside without the interruption of a drop down door. The door frame itself is also bevelled, so it sits perfectly inside. There's also a magnetic closing system, so the door seals tightly with minimum effort. To help our oven fit seamlessly into your kitchen, the door can be reversed for total flexibility.



## Uncompromising versatility



The great value C2228 oven has nine cooking functions, plus push-pull dials for sleek uninterrupted lines when not in use. When you need them, just push and they slide out. There's also a programmable electronic timer.



## Features

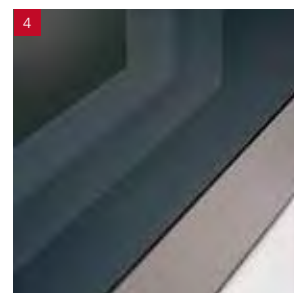
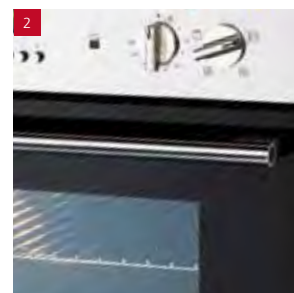
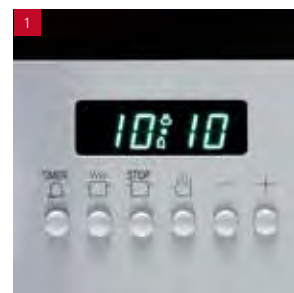
**Programmable electronic timers**  
You can pre-set cooking start and stop times. (1)

**Cool-touch doors and control panel**  
The double or triple glazing and the tangential cooling fan. (2)

**Shelf types**  
Electric models have chrome side racks, some have telescopic shelving, while the gas model has moulded shelf slots. (3)

**Door quality**  
The C2228 has triple glazing while other models have double glazed doors with heat-reflective glass. (4)

**Catalytic liners**  
Available on some models. They oxidise and vaporise grime away at +200°C.





C3244

Electric double oven



Top oven features

Energy class **A**

4 Functions:

- *light*
- *base heat*
- *conventional heat*
- *full grill*

40 Litre capacity

Bottom oven features

Energy class **A-20%**

4 Functions:

- *light*
- *fan heat*
- *full grill*
- *turbo defrost*

66 Litre capacity

Programmable electronic timer

Self-cleaning catalytic liners available

General features

Stainless steel and glass

Stainless steel, black-spot feature bar handles

Closed door grilling

Tangential cooling fan

Smooth and flat oven sides with chrome shelf racks

Double glazed doors with heat reflective glass

Top interior lights

Accessories

1 Safety-stop shelf in top oven

2 Safety-stop shelves in bottom oven

1 Grill pan with handle in top oven

1 Enamelled baking tray

Multiple position telescopic shelving racks available for bottom oven

Electrical connection

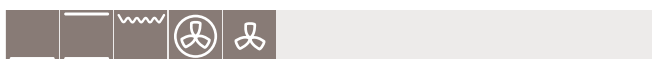
Rated load 4.25kW

Fuse rating 20A

Optional extras

Catalytic liner set for both ovens CAPCAT5

Multiple position telescopic shelving racks for bottom oven CAPRACK2



C3242

Electric double oven



Top oven features

Energy class **A**

3 Functions:

- *light*
- *conventional heat*
- *full grill*

40 Litre capacity

Bottom oven features

Energy class **A-20%**

3 Functions:

- *light*
- *fan heat*
- *turbo defrost*

66 Litre capacity

Programmable electronic timer

Self-cleaning catalytic liners available

General features

Stainless steel and glass

Open door grilling

Tangential cooling fan

Smooth and flat oven sides with chrome shelf racks

Double glazed doors with heat reflective glass

Top interior lights

Accessories

2 Safety-stop shelves in bottom oven

1 Grill pan with handle in top oven

1 Enamelled baking tray

Multiple position telescopic shelving racks available for bottom oven

Electrical connection

Rated load 4.25kW

Fuse rating 20A

Optional extras

Catalytic liner set for both ovens CAPCAT5

Multiple position telescopic shelving racks for bottom oven CAPRACK2



**C4244**

Electric built-under oven

**Top oven features**Energy class **A****4 Functions:**

- *light*
- *base heat*
- *conventional heat*
- *full grill*

40 Litre capacity

**Bottom oven features**Energy class **A****4 Functions:**

- *light*
- *fan heat*
- *full grill*
- *turbo defrost*

51 Litre capacity

Programmable electronic timer

Self-cleaning catalytic liners available

**General features**

Stainless steel and glass

Stainless steel, black-spot feature bar handles

Closed door grilling

Tangential cooling fan

Smooth and flat oven sides with chrome shelf racks

Double glazed doors with heat reflective glass

Rear interior lights

**Accessories**

1 Safety-stop shelf in top oven

1 Safety-stop shelf in bottom oven

1 Grill pan with handle

1 Enamelled baking tray

Dual position telescopic shelving racks available for bottom oven

**Electrical connection**

Rated load 3.75kW

Fuse rating 20A

**Optional extras**

Catalytic liner set for both ovens CAPCAT7

Dual position telescopic shelving racks for bottom oven CAPRACK2

**C4242**

Electric built-under oven

**Top oven features**Energy class **A****3 Functions:**

- *light*
- *conventional heat*
- *full grill*

40 Litre capacity

**Bottom oven features**Energy class **A****3 Functions:**

- *light*
- *fan heat*
- *turbo defrost*

51 Litre capacity

Programmable electronic timer

Self-cleaning catalytic liners available

**General features**

Stainless steel and glass

Open door grilling

Tangential cooling fan

Smooth and flat oven sides with chrome shelf racks

Double glazed doors with heat reflective glass

Rear interior lights

**Accessories**

1 Safety-stop shelf in top oven

1 Safety-stop shelf in bottom oven

1 Grill pan with handle

1 Enamelled baking tray

Dual position telescopic shelving racks available for bottom oven

**Electrical connection**

Rated load 3.75kW

Fuse rating 20A

**Optional extras**

Catalytic liner set for both ovens CAPCAT7

Dual position telescopic shelving racks for bottom oven CAPRACK2



C2219

Electric side opening single oven

C2228

Electric single oven



Oven features

Energy class **A-20%**

4 Functions:

- *light*
- *fan heat*
- *full grill*
- *turbo defrost*

66 Litre capacity

Programmable electronic timer

Double glazed door with heat reflective glass

Reversible door

General features

Stainless steel and black glass

Stainless steel, black-spot feature bar handle

Magnetic door closure

Closed door grilling

Tangential cooling fan

Smooth and flat oven sides with chrome shelf racks

Full width sealed inner door glass

Top interior lights

Accessories

1 Safety-stop shelf

1 Grill pan with handle

Electrical connection

Rated load 2.40kW

Fuse rating 13A

Optional extras

Catalytic side and rear liners CAPCAT4

Dual position telescopic shelving racks for bottom oven CAPRACK2

Oven features

Energy class **A-20%**

9 Functions:

- *light*
- *conventional*
- *turbo conventional*
- *top heat*
- *turbo base heat*
- *fan heat*
- *grill*
- *turbo grill*
- *turbo defrost*

56 Litre capacity

Programmable electronic timer

Triple glazed door with heat reflective glass

General features

Stainless steel and black glass

Stainless steel, black-spot feature bar handle

Push-pull knobs

Closed door grilling

Tangential cooling fan

Smooth and flat oven sides with chrome shelf racks

Full width sealed inner door glass

Top interior light

Accessories

1 Safety-stop shelf

1 Grill pan with handle

Electrical connection

Rated load 2.8kW

Fuse rating 10A



## C2216

Electric single oven

## C2214

Electric single oven



## Oven features

Energy class A-20%

## 5 Functions:

- *light*
- *fan heat*
- *grill*
- *turbo grill*
- *turbo defrost*

56 Litre capacity

Programmable electronic timer

Double glazed door with heat reflective glass

## General features

Stainless steel and black glass

Stainless steel, black-spot feature bar handle

Push-pull knobs

Closed door grilling

Tangential cooling fan

Smooth and flat oven sides with chrome shelf racks

Top interior light

## Accessories

1 Safety-stop shelf

1 Grill pan with handle

## Electrical connection

Rated load 2.25kW

Fuse rating 10A



## Oven features

Energy class A-20%

## 4 Functions:

- *light*
- *fan heat*
- *full grill*
- *turbo grill*

56 Litre capacity

Audible minute minder

Double glazed door with heat reflective glass

Stainless steel and black glass

Stainless steel, black-spot feature bar handle

Closed door grilling

Tangential cooling fan

Smooth and flat oven sides with chrome shelf racks

Top interior light

## Accessories

1 Safety-stop shelf

1 Grill pan with handle

## Electrical connection

Rated load 2.25kW

Fuse rating 10A



**C2511**Gas single oven

---

**Oven features**

3 Functions:

- *light*
- *gas cooking*
- *gas grill*

60 Litre capacity

Audible minute minder

Double glazed door with heat reflective glass

Flame safety device

**General features**

Stainless steel and glass

Stainless steel, black-spot feature bar handle

Open door grilling

Tangential cooling fan

Oven sides moulded with shelf slots

Top interior light

**Accessories**

1 Safety-stop shelf

1 Grill pan with handle

**Electrical connection**

Rated load 0.05kW

Fuse rating 3A





## steam oven

Steam is one of the most energy-efficient ways to cook food. Not only does the food taste more flavoursome, it's also healthier because the food retains more of its valuable nutrients. Great for vegetable and seafood dishes.

Better taste, and better for you as well.







# now you're cooking with steam

Steam cooking is healthy, fuss-free and ensures fresh food retains its natural colours, flavours and shape. So all the natural nutrients and goodness end up on the plate and not in the pan.

Very well suited to seafood, holding-in all the delicate flavours of white fish like cod and monkfish and oily fish like salmon and tuna. Turning out crab, lobster and other shellfish to perfection. Vegetables are just as delicately cooked from fresh new potatoes to crunchy carrots and

broccoli. What is more, stodgy rice and soggy pasta will be a thing of the past.

Steam cooking – healthy, easy and odourless.



## Odourless cooking

There are no food odours with steam. So you can prepare different parts of a meal together, without the flavour being altered. You can save energy too by cooking your meat and vegetables together.

## Defrosting and reheating

You can also blanch, defrost and reheat with steam. Ideal for pasta, rice and mashed potato.



## Delicious desserts

Why not try cooking delicious fresh fruit as a tasty snack, rice pudding, or a steamed pudding with custard?



# sense SO109 combination steam oven

This model combines the benefits of an advanced steam oven, with a conventional fan-assisted oven and grill. All the technology you want, in the oven.

With a huge 30 litre capacity and 100 pre-sets from steam to turbo grill to defrost this model is ready for anything. Intuitive touch controls and an LCD display gives you access

to both steam and conventional cooking, and an auto cook menu that covers a wide range of dishes. So easy to use and when you're finished it will even clean itself.

## How it works

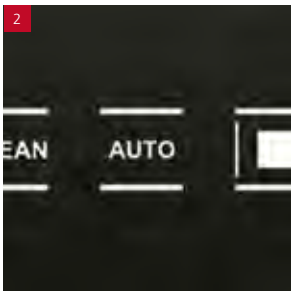
The SO109 has an injection steam system, for a more consistent temperature during cooking. It works using a heater element in the water tank, bringing the water to temperature before injecting steam directly into the oven cavity. This model also has the added benefit of combining steam and conventional fan cooking.



## Features

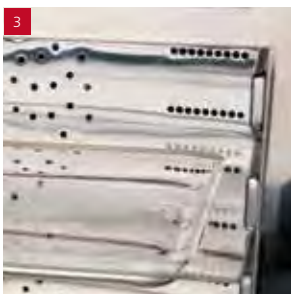


**LED Touch controls and LCD display**  
The intuitive control panel lets you swiftly access all 12 functions, the electronic timer, minute minder and clock. You can also see the current cooking time and temperature. (1)



**Auto setting**  
Choose from 100 pre-set recipes displayed on the LCD panel. Includes food weight and temperature for optimum results. You can also create and save your own customised programmes. (2)

**Stainless steel interior and optional glass tray**  
Hygienic and easy to clean interior, shown with optional glass tray (GTRAY/SO). (3)



**Injection steam**  
Creates a consistent temperature for better results.

**Steam recovery system**  
Water is collected during the cooling process and recycled to reduce the amount of water used.



**Clean function**  
Option to clean the inner cavity, and steam system.

**Gastro tubs**  
If you like to steam a variety of food at the same time then our stainless steel Gastro tubs (optional accessories) make it easy. (4)

## Sense SO109

Built-in combination steam oven



### Oven features

Energy class A-20%

#### 11 Functions:

- *light*
- *fan heat*
- *turbo grill*
- *grill & fan*
- *grill*
- *steam 100°C*
- *steam 130°C*
- *steam & fan heat*
- *fan & steam pulse*
- *defrost*
- *auto settings*

100 preset cooking recipes

2 Pre-set temperatures (steam cooking at 100°C or 130°C)

Touch control programmable electronic timer

Audible minute minder

34 Litre capacity

### General features

Stainless steel and glass  
Stainless steel, black-spot feature bar handle  
Stainless steel interior  
Touch control with LCD display  
Electronic clock  
Removable 1.54 Litre water tank  
Internal light

### Accessories

1 perforated tray  
1 chrome grid  
1 stainless steel tray

### Optional accessories

1 glass tray GTRAY/SO  
1 Gastro tub with lid GTUB

### Cooking output

Fan cooking 1500W  
Steam cooking 1100W  
Grill 1500W

### Electrical connection

Rated load 3.2kW  
Fuse rating 20A



# microwaves

Caple microwaves are packed with clever technology, and perfect for making quick and easy snacks as well as serious cooking. A must-have for a busy lifestyle.



# sense CM109 combination microwave

Full touch-control, powerful fan cooking, and stainless steel interior. It's the most advanced microwave we've ever made.

With 11 different functions it's at home in the most demanding kitchen. There are also 60 pre-set (and customisable) recipes, and also a useful keep-warm function. The CM109 seamlessly fits in with the Sense modular design system on page 14.



## Cooking with the CM109

Achieve great results by combining this model with a fan or grill, using the fan or grill together, or just regular convection cooking. Everything you need, in a microwave.



### Convection cooking

Bringing together a ring element and a fan to provide evenly cooked and browned results. It's quicker than conventional cooking and can be combined with the microwave to reduce cooking time even more, the grill for perfect browning – or both the microwave and grill together.

### Turbo Grill

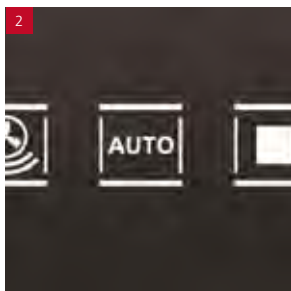
The fan cooking system and grill deliver perfect results in all kinds of meals. It even locks in meat juices for better flavour.



## Features



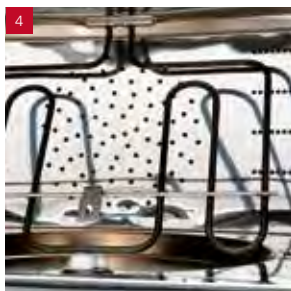
**LED Touch controls and LCD display**  
11 functions and six power levels at your fingertips. You can also access the auto setting microwave programmes, timer and clock. An LCD panel displays the cooking mode, remaining time and menus. (1)



**Auto setting**  
Choose from 60 pre-set recipes displayed on the LCD panel. Includes food type, weight and temperature for ideal results. Save your own customised programmes too. (2)



**Stainless steel interior and glass turntable**  
Its wipe-clean surface makes cleaning easier, and it looks stylish. The glass turntable can also be easily removed and cleaned. (3)



**Drop down grill**  
A versatile grill easily lowers for simpler cleaning. (4)

## Sense CM109

Built-in combination microwave



### Features

Stainless steel and glass  
Stainless steel, black-spot feature bar handle  
Stainless steel interior

### 11 Functions:

- *light*
- *fan heat*
- *grill & fan heat*
- *full grill*
- *turbo grill*
- *timed defrost*
- *defrost by weight*
- *microwave*
- *microwave & grill*
- *microwave & fan*
- *auto settings*

34 Litre capacity

6 Microwave power levels

Thermostatic grill

60 Preset cooking recipes that can be customized

Touch control timer and electronic clock

Keep Warm function if door remains closed after cooking

Express microwave programme

Audible timer

### Cooking output

Fan cooking 1500W

Microwave cooking 900W

Grill 1500W

### Accessories

Dia. 320mm glass turntable

1 Round chrome shelf

1 Chrome grid

1 Stainless steel tray

### Optional extras

1 Round chrome high shelf

1 Glass tray

### Electrical connection

Rated load 3.10kW

Fuse rating 20A

# sense CM2400 combination microwave

An advanced microwave with seven cooking modes including a powerful grill

Part of our exclusive Sense range, this exquisitely designed microwave is stunning in smooth black glass and stainless steel. Its distinctive black-spot stainless steel bar handle makes it a perfect match for our Sense ovens (see page 34) and our warming drawers (see page 76).



## Cooking with the CM2400

### Grill

Just like an oven grill, it's ideal for cheese on toast, or browning off a cooked dish.



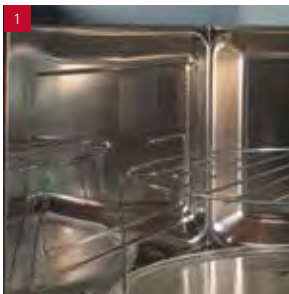
### Multi-stage cooking

For convenience this microwave can be programmed to seamlessly change from one cooking method to another as part of the same chosen programme. It could be set to defrost and when finished cook straight after without lifting a finger.

### Auto Menu

The auto cook menu gives you a set of preset cooking modes, each designed to provide you with the best possible results.

## Features



Stainless steel interior  
Wipes clean quickly  
and easily. (1)

Glass turntable and large  
chrome grilling rack. (2)

Touch-control timer  
Sleek touch-control  
programmer. (3)



## Sense CM2400

Built-in combination microwave and grill



### Features

Stainless steel and glass  
Stainless steel, black-spot  
feature bar handle  
Stainless steel cavity  
25 Litre capacity  
Touch control  
White LED display  
Auto cook menu  
Auto defrost by time  
and weight  
Speed cooking  
Child lock  
Timer  
End of cooking signal

### Cooking output

Microwave cooking 900W  
Grill 1000W

### Accessories

Dia. 315mm glass turntable  
1 Grill rack

### Electrical connection

Rated load 1.45kW  
Fuse rating 13A

## our classic microwaves

A minimalist design that complements any kitchen. Plus plenty of handy, easy-to-use features.

Our CM118 model combines a microwave, grill and powerful 2500W convection oven for incredible all-round functionality. It's intuitive to use too, and oozes functionality.

The CM119, CM116 and slim-line CM112 are fine-tuned for performance. All have an integral grill, plus a range of extra features including an auto-cook menu (which is accessed through the digital door display on the CM119), auto-defrost and up to 900W of power.



### A choice of depths

Our CM119, CM118 and CM116 models are designed to fit perfectly in a normal cabinet space, while the 300mm deep slim-line CM112 model is at home in a standard wall unit. Ideal if you want compact performance and versatility.

## Versatile cooking

With the CM118 model, you get the power of convection cooking for superior results. The ring element and fan circulate the hot air all around the food, so even juicy roast meats are cooked to absolute perfection. Cooking time is also quicker.

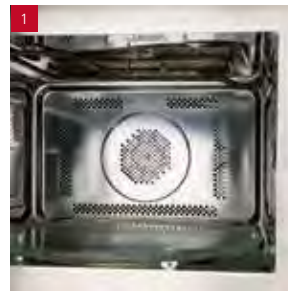
For greater versatility and speed, the convection system works with the microwave. You can even use the grill for browning. Or you can combine all three.



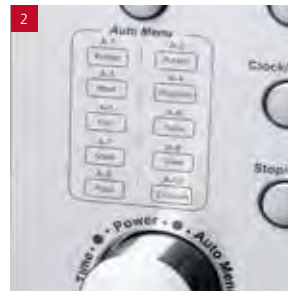
All our Classic microwaves have a powerful grill for browning dishes, making cheese on toast or other snacks. The grill can also be used with the microwave for perfect results across a wide range of dishes.

Every model also has an advanced Auto menu function, with pre-set cooking modes and settings for improved results every time.

## Features



**Stainless steel interior**  
The stainless steel interior not only looks great, but its wipe clean surface makes hygiene a top priority too. (1)



**Auto Menu**  
The auto cook menu gives you a set of preset cooking modes, each designed to provide you with the best possible results. On our CM119 model this menu is accessed through the digital door display. (2)

**Glass turntable and chrome grilling rack**  
The glass turntable can be removed for easy cleaning and combines with a handy grilling rack. (3)





**CM119**

Built-in microwave and grill

W 595mm

**CM118**

Built-in combination microwave

W 595mm

**Features**

W 595mm x H 388mm  
 25 Litre capacity  
 Auto cook menu  
 Auto defrost  
 Digital controls  
 Defrost by time and weight  
 Speed cooking  
 Multi-stage cooking  
 5 microwave power levels  
 Child lock  
 Minute timer (up to 95mins)  
 Stainless steel front/cavity  
 Mark resistant finish  
 LCD display

**Cooking output**

Microwave cooking 900W  
 Grill 1000W

**Electrical connection**

Rated load 1.45kW  
 Fuse rating 13A

**Features**

Built-in frame included  
 (W 595mm x H 460mm)  
 25 Litre capacity  
 Auto cook menu  
 Auto defrost  
 Child lock  
 Minute timer (up to 95mins)  
 Stainless steel front / cavity  
 Mark resistant finish  
 LED display  
 Push door, metal knob  
 Trim kit and unit installed  
 in packaging

**Cooking output**

Microwave cooking 900W  
 Grill 1000W  
 Convection cooking 2500W

**Electrical connection**

Rated load 2.50kW  
 Fuse rating 13A

**CM116**

Built-in microwave and grill

W 595mm

**Features**

Built-in frame included  
(W 595mm x H 460mm)  
25 Litre capacity  
Auto cook menu  
Auto defrost  
Child lock  
Minute timer (up to 95mins)  
Stainless steel front / cavity  
Mark resistant finish  
LED display  
Push door, metal knob  
Trim kit and unit installed  
in packaging

**Cooking output**

Microwave cooking 900W  
Grill 1000W

**Electrical connection**

Rated load 2.45kW  
Fuse rating 13A

**CM112**

Wall unit microwave and grill

W 595mm

**Features**

Built-in frame included  
(W 595mm x H 382mm)  
For building into a 300mm  
deep wall cabinet  
17 Litre capacity  
Auto cook menu  
Auto defrost  
Child lock  
Minute timer (up to 95mins)  
Stainless steel front / cavity  
Mark resistant finish  
LED display  
Push door, metal knob  
Trim kit and unit installed  
in packaging

**Cooking output**

Microwave power 700W  
Grill power 1000W

**Electrical connection**

Rated load 2.15kW  
Fuse rating 13A

# coffee machine

The art of the barista, plus the very latest in coffee machine technology. Everything you need, in one cup.





There are many different coffee bean varieties, each with its own taste, aroma and texture. The grind size of the coffee depends on the bean type, so adjust the grinder accordingly. The finer the grind, the slower the pour. Remember to only grind what you need there and then, as ground coffee beans soon lose flavour. If you prefer buying pre-ground coffee, you'll find a very fine grind produces the best results.



# the secret to great coffee

Fantastic coffee depends many factors. The beans you use, the way they're ground, and even what temperature it is and how it is frothed. Plus, of course, finding a coffee machine that's really up to the job.

## Making a perfect espresso

What you're aiming for is a pour that starts out darkly-coloured then turns into shades of caramel moving slowly, like honey. When it lightens up, stop pouring. If you don't crack it first time, keep trying.

If you like milk with your coffee, you'll also need to polish up your frothing skills. The texture depends on how the air enters the milk as you steam. You need a smooth, consistent texture where the foam and milk intertwine. Look out for blobs of froth on top, and don't boil it. If the jug's bottom is too hot to touch, it means the milk's probably reached the right temperature.



## Last but not least

There's no point serving great coffee in a cold cup. So a warming drawer is an ideal addition to your coffee machine. It can sit just beneath it, and ensure your cup is always just the right temperature before you pour. Any barista will tell you, it makes a big difference.



## Products details

Warming drawer WMD1354 – (shown above) see pg 79

Push-pull handleless warming drawer WMD1356 – see pg 78

## Storage options

Keep your coffee cups and accessories stored together all in one place, with our storage drawer (SD1356 see page 78) and wooden drawer insert (SDCOFFEE see page 79).

Stylish, organised and when put near or underneath your coffee machine convenient too.



# sense CM461 fully automatic coffee machine

Low-profile controls and effortless touch technology. Better coffee, now made easier.

Just select the type of coffee and the number of cups you want, and this machine does the rest. You can even choose how fine you want the beans ground, and the professional

steam nozzle is ideal for lattes, cappuccinos and other coffee shop favourites. What's more, it also integrates seamlessly with Caple's modular appliance system (see page 14).

## Pre-set your coffee

Adjust settings such as grind time, water volume, coffee and steam temperature to make coffee that's spot on every time. So now you can have a great cup of coffee whenever you fancy it.



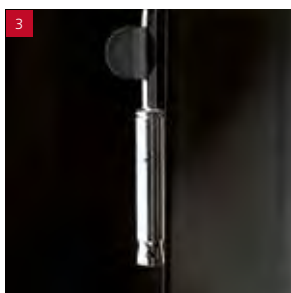
## Features



**Touch controls and LED display**  
Sleek touch controls allow you to choose the type of coffee instantly – one or two cups, espresso or white, decaffeinated, long coffee, hot water or steam. Each button is individually lit when selected. (1)



**Dispensing nozzles**  
Filter options are provided to match the amount of coffee in use. The amount of water dispensed can be adjusted too, depending on the size of cup. (2)



**Frothing nozzle**  
A powerful steam-frothing nozzle foams milk, letting you create various styles of coffee quickly and easily. (3)

## Sense CM461

Fully automatic built in coffee machine



### Features

Stainless steel and black glass  
Fully automatic

Settings can be adjusted for making various hot drinks such as short espresso, long espresso, normal coffee, long coffee, warm milk, warm water or cappuccino

Coffee bean grinder

Coffee grinder adjustment to modify how fine the coffee beans are ground

Coffee grind time adjustment to modify how long the coffee beans are ground for

Drink volume adjustment to modify the amount of coffee dispensed

Steam nozzle to heat and froth milk

Coffee temperature control

2.5 Litre water tank

Drip tray

Used coffee ground bin

Stand-by energy saving

Cleaning warning

Water filter

White LED lighting

### Electrical connection

Rated load 2.0kW

Fuse rating 13A

# warming and storage drawers

Caple's warming drawers keep tableware at just the right temperature, until the food's ready to be served.

Adding a storage drawer is a convenient and stylish way to organise your coffee and wine accessories





# one less thing to juggle

Now it's easier to have perfectly warm plates, right on cue. With Caple's warming drawers you can easily adjust the temperature to whatever you need. There's even a timer that switches the heat off when you want it.



## Seamlessly integrated

The ideal warming drawer should blend in with a kitchen, and not take up too much space. Our SWMD1054 model sits perfectly under the Sense 48cm C2282 built-in oven. You'll hardly even know it's there. Until dinner's ready of course.



## Product details

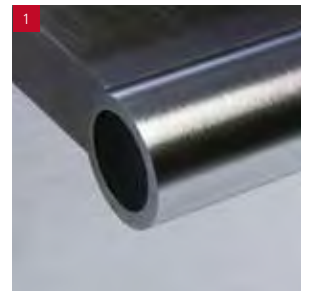
Sense warming drawer SWMD1054 – see pg 78

Sense 48cm electric single oven C2282 – see pg 40

## Features

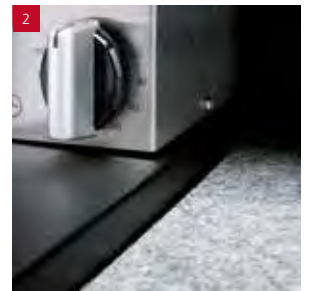
### Black-spot handle

An exact match to all of the Sense ovens and microwaves, as well as a selection of the Classic ovens. (1)



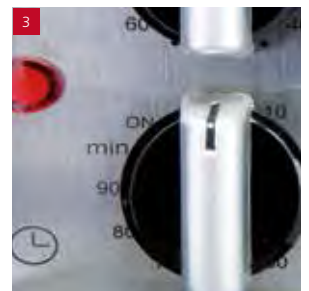
### Quality interior

Precision engineered sliding runners give a high-quality feel and all models feature either a protective anti-slip mat or stylish black base. (2)



### Minute minder

A mechanical timer controls the heating element, so when the timer sounds, the heater switches off too – no need to worry about over-heating. (3)



**Sense SWMD1054**

Warming drawer

H 120mm

**Features**

Fan heating

Combines with the 48cm high single oven C2282 to fit into a standard single oven space

Black glass

Push / pull opening

Dishes for a meal for 4 people take approx 30 mins to heat up to 70°C

Extremely rigid to support the weight of an appliance on top

Maximum capacity 10kg or 4 dinner plates, 4 soup plates, 3 serving bowls and 2 platters

400W heating element with tangential fan

30-70°C adjustable thermostat

Smooth slide soft-close drawer runners

Attractive black interior glass base

**Electrical connection**

Rated load 0.40kW

Fuse rating 3A

**WMD1356**

Warming drawer

H 131mm

**Features**

Fan heating

Stainless steel

Push / pull opening

Dishes for a meal for 6 people take approx 30 mins to heat up to 70°C

Extremely rigid to support the weight of an appliance on top

Maximum capacity 10kg or 6 dinner plates, 6 soup plates, 3 serving bowls and 2 platters

400W heating element with tangential fan

30-70°C adjustable thermostat

Smooth slide soft-close drawer runners

Attractive black interior glass base

**Electrical connection**

Rated load 0.40kW

Fuse rating 3A

**WMD1354**

Warming drawer

H 140mm

**Features**

Fan heating  
 Stainless steel  
 Stainless steel, black-spot feature bar handle  
 Dishes for a meal for 6 people take approx 30 mins to heat up to 70°C  
 Extremely rigid to support the weight of an appliance on top  
 Maximum capacity 20kg or 6 dinner plates, 6 soup plates, 3 serving bowls and 2 platters  
 400W heating element with tangential fan  
 30-70°C adjustable thermostat  
 Smooth slide soft-close drawer runners  
 90 Minute cut-off audible timer  
 Anti-slip removable drawer liner  
 On / off light

**Electrical connection**

Rated load 0.40kW  
 Fuse rating 3A

**WMD2954**

Warming drawer

H 300mm

**Features**

Fan heating  
 Stainless steel  
 Stainless steel, black-spot feature bar handle  
 Dishes for a meal for 6 people take approx 30 mins to heat up to 70°C  
 Extremely rigid to support the weight of an appliance on top  
 Maximum capacity 20kg or 12 dinner plates, 12 soup plates, 6 serving bowls and 2 platters  
 400W heating element with tangential fan  
 30-70°C adjustable thermostat  
 Smooth slide soft-close drawer runners  
 90 Minute cut-off audible timer  
 Anti-slip removable drawer liner  
 On / off light

**Electrical connection**

Rated load 0.40kW  
 Fuse rating 3A

# storage drawer and inserts

Stylish, organised and when put near or underneath a coffee machine or wine cabinet, convenient too.

## Add your accessories

Both wooden inserts have been specially designed to accommodate all the accessories associated with making the perfect cup of coffee or enjoying your favourite glass of wine.



## SD1356

Storage drawer

H 131mm



### Features

- Stainless steel
- Push / pull opening
- Extremely rigid to support the weight of an appliance on top
- Maximum capacity 10kg
- Smooth slide soft-close drawer runners
- Attractive black interior glass base

Storage drawer will take SDWINE and SDCOFFEE (see right) wooden inserts



**SDWINE**

Solid wood wine accessory insert

**Features**

Produced from solid beechwood

Sections for various wine accessories including foil cutter, cork screw and thermometer

8 Separate storage sections

**Dimensions**

Width 498mm

Depth 484mm

Height 40mm

Storage drawer insert shown with wine accessories which are not included.

**SDCOFFEE**

Solid wood coffee accessory insert

**Features**

Produced from solid beechwood

Sections for accessories including cups, spoon, coffee and sugar

7 Separate storage sections

**Dimensions**

Width 498mm

Depth 484mm

Height 40mm

# hobs

Whether you choose gas, electric or induction, Caple's advanced technology and unswerving eye for detail means total precision every time.

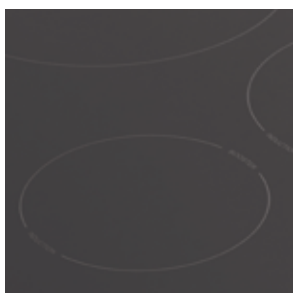






# choosing the right hob

Gas, electric and induction ovens all have their merits. It's really down to personal choice. You could even combine all three if you want to.



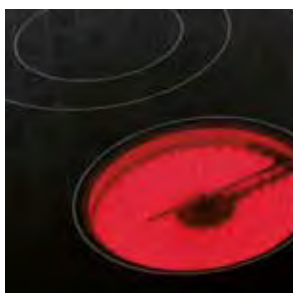
## Induction

They work by creating a magnetic field between the hob and pan. They're quick, easy to use, and energy efficient as well.



## Gas

Most professional kitchens opt for gas. Heat is instant and control is intuitive. Stainless steel or coloured enamel finishes are available.



## Electric ceramic

Their smooth glass finish makes cleaning easier. They're also sleeker and very contemporary, making them ideal for more modern kitchens.



## Electric sealed plate

If budget is a real consideration, this could be for you. There's still superb all-round performance, varied zone sizes and power levels.

## Mix and match modular hobs



You could always choose to combine all four. Any number of modules can be mixed together in any sequence. In fact, the options are almost endless (see pages 106 to 109).



# induction hobs



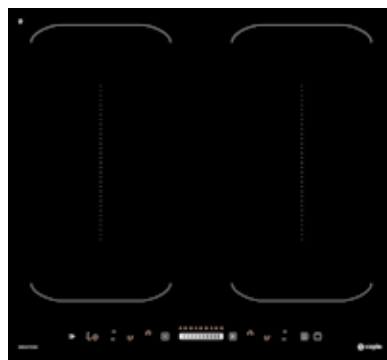
A lot of experts think induction hobs are the future. They might be right. They're hygienic, more energy-efficient, safer and easier to use.

They work by creating a magnetic field between the hob and the pan. Heat is instant, and it's easy to control. Once you remove the pan, they cool down very quickly, which is handy if kids are about. They're more energy-efficient because they only heat the pan area itself, rather than all around it. In fact, they use around 25% less energy than some hobs.

### Induction hobs



Providing a flameless method of cooking, induction hobs offer a whole range of benefits. As well as delivering high levels of versatility and control, they're energy efficient. The top surface remains cool, so you don't need to worry about accidentally touching a hot burner. Only the pan gets hot and because there's no transfer of heat energy between the hob and the pan, less heat is lost.



### Multi zone

Our C855i (shown above) and C875i (shown below) are multi zone induction hobs. Providing complete flexibility allowing either use of four individual zones, combining zones into two larger zones or even combining all the zones into one single large (C855i only) cooking zone.



So if you cook regularly using oversized pans like fish kettles, then the C855i or C875i will handle them with ease.

**C840i**

Induction hob - 13 amp

W 590mm

**Features**

Black frameless  
 9 level digital power display  
 Touch controls  
 99 minute timer  
 Child safety lock  
 Residual heat indicators  
 Automatic safety shut-off  
 Automatic pan detection  
 Anti-overheat  
 Supplied with a 13A plug  
 (shown below) for easy  
 installation in any kitchen

**Cooking output**

4 Induction zones:  
 • 2 dia. 180mm – 1.50kW  
 • 2 dia. 180mm – 2.00kW

**Electrical connection**

Rated load 3.0kW  
 Fuse rating 13A

**C850i**

Induction hob

W 590mm

**Features**

Black frameless  
 9 Level digital power display  
 for each zone  
 Touch controls  
 99 minute timer  
 Child safety lock  
 Residual heat indicators  
 Automatic safety shut-off  
 Automatic pan detection

**Cooking output**

4 Induction zones:  
 • 2 dia. 160mm – 1.50kW  
 • 2 dia. 180mm – 2.00kW

**Electrical connection**

Rated load 7.0kW  
 Fuse rating 32A

*PLEASE NOTE: The C840i induction hob achieves a 13A connection by restricting the maximum load to 3kW, this is done by cleverly limiting the combined zones to a maximum power level sum of 12.*

*For example if you had boiling water on power level 6 on one zone you could cook rice on power level 4 and gently warm food on level 2 on a third zone*

**C854i**

Induction hob

W 590mm

**Features**

Black frameless  
 9 level digital power display for each zone  
 Slider touch control  
 4 boosters  
 99 minute timer  
 Safety child lock  
 Residual heat indicators  
 Automatic safety shut-off  
 Automatic pan detection

**Cooking output**

4 Induction zones:  
 • 2 dia. 140mm – 1.50kW with booster  
 • 2 dia. 220mm – 2.60kW with booster

**Electrical connection**

Rated load 7.0kW  
 Fuse rating 32A

**C855i**

Induction hob

W 590mm

**Features**

Black frameless  
 Multi split zones  
 4 boosters  
 9 level digital power display for each zone  
 Slider touch control  
 Programmable timer for each zone (up to 99 mins) to set finish time  
 Pause function  
 Safety lock  
 Residual heat indicators  
 Automatic pan and small object detection  
 Automatic safety shut-off  
 Anti-overheat

**Cooking output**

4 Induction zones:  
 • 4 dia. 220mm – 3.0kW  
 Alternatively 2 dual zones:  
 • 2 220 x 400mm – 4.0kW

The multi split zones provide complete flexibility in allowing either use of 4 individual zones, the option to combine zones into 2 larger zones for use with oversized pans like fish kettles. Further to this the hob can be fully combined into a single large zone.

**Electrical connection**

Rated load 7.0kW  
 Fuse rating 32A

**C862i**

Induction hob

W 770mm

**Features**

Black frameless  
 9 Level digital power display for each zone  
 Booster on each zone  
 Slider touch controls  
 99 minute minder  
 Child safety lock  
 Residual heat indicators  
 Automatic safety shut-off  
 Automatic pan detection  
 Anti-overheat

**Cooking output**

4 Induction zones:  
 • 4 dia. 200mm – 3.0kW zones

**Electrical connection**

Rated load 7.4kW  
 Fuse rating 30A

**C871i**

Ribbon induction hob

W 930mm

**Features**

Black frameless with bevelled edge  
 12 Level digital power display for each zone  
 Touch controls  
 Booster function on all zones to access maximum temperature quickly  
 Memory function to choose a specified power level at any time  
 Offset programming to set cooking duration and finishing time  
 Interrupt button for use during a programme  
 Timer (up to 99mins)  
 Electronic power monitor  
 Safety lock  
 Residual heat indicators  
 Automatic safety shut-off  
 Automatic pan and small object detection  
 Anti-overheat  
 Anti-overflow

**Cooking output**

3 Induction zones:  
 • 1 dia. 160mm – 2.20kW with booster  
 • 1 dia. 280mm – 3.60kW with booster  
 • 1 dia. 210mm – 3.10kW with booster

**Electrical connection**

Rated load 7.2kW  
 Fuse rating 32A



**C875i**

Ribbon induction hob

W 910mm

**Features**

Black frameless

Can be inset or flush mounted

14 power levels (0-9 + bake  
42°C, keep warm 70°C, boil  
control 94°C, booster and  
booster+)

Auto-on\* digital display

Slider touch controls with  
direct accessBridge\*\* function to create  
2 large zones

Booster and booster+ function  
on all zones to access  
maximum temperature quickly

Memory function to choose  
a specified power level at  
any time

Programmable timer to set  
cooking duration and finishing  
time on each individual zone

Timer (up to 999 mins)

Memory recall function

Pause function

Child safety lock

Automatic safety shut-off

Automatic pan detection

Anti-overheat

Anti-overflow

**Cooking output**

4 Induction zones:

- 220 x 180mmmm – 3.7kW

**Electrical connection**

Rated load 7.4kW

Fuse rating 25A

**\*Auto-on function:**

Once the hob is switched on and a pan is placed on the  
required zone the corresponding power display automatically  
illuminates ready for use.

**\*\*Bridge function:**

Bridge function can be used to create 2 large zones for use  
with oversized pans like fish kettles.

## C900i

Induction hob

---

W 880mm



### Features

Black frameless  
Can be inset or flush mounted  
11 power levels (0-9, keep warm and booster)  
Digital display  
Slider touch control  
Booster function on all zones to access maximum temperature quickly  
Programmable timer to set cooking duration and finishing time on each individual zone  
Memory recall function  
Pause function  
Timer (up to 99 mins)  
Safety lock  
Residual heat indicators  
Automatic safety shut-off  
Automatic pan detection  
Anti-overheat  
Anti-overflow

### Cooking output

5 Induction zones:

- 1 dia. 160mm – 1.4kW
- 1 dia. 180mm – 1.4kW
- 1 dia. 180mm – 2.0kW
- 1 dia. 210mm – 3.0kW
- 1 dia. 280mm – 3.0kW

### Electrical connection

Rated load 7.4kW

Fuse rating 25A

# the power of electric hobs

Caple's electric hobs are engineered with performance and ease of use in mind.

Every Caple hob has four separate zones with individual lights that glow when activated. The two small zones are ideal for smaller pans, with the other area more suited to medium-sized and larger ones, such as casserole pots and frying pans. Our C813C model includes audible touch controls, while the others in the range have traditional dial controls.

When the cooking is over the smooth black glass makes cleaning easy and with minimalist styling both frameless ceramic models will fit into any type of kitchen with ease. We also have our stainless steel C603E hob, which is a superb all-around performer which has varied zone sizes and power levels.



**C814C**

Electric ceramic hob

W 590mm

**Features**

Black frameless  
 Touch controls  
 9 level digital power display  
 99 minute timer  
 Residual heat indicators  
 Child safety lock  
 Automatic safety shut-off

**Cooking output**

4 ceramic plates  
 • 2 zones:  
*dia. 200mm – 1.80kW*  
 • 2 zones:  
*dia. 165mm – 1.20kW*

**Electrical connection**

Rated load 6.0kW  
 Fuse rating 30A

**Sense C813C**

Electric ceramic hob

W 590mm

**Features**

Black frameless  
 Audible touch controls  
 9 level digital power display for each zone  
 Indicator lights for each zone  
 Residual heat indicators  
 Safety child lock  
 Automatic safety shut-off

**Cooking output**

4 ceramic plates  
 • 1 double circular hi-light zone:  
*dia. 140/220mm – 1.0/2.2kW*  
 • 1 zone:  
*dia. 200mm – 1.80kW*  
 • 2 zones:  
*dia. 165mm – 1.20kW*

**Electrical connection**

Rated load 6.4kW  
 Fuse rating 32A

**C806C**

Electric ceramic hob

W 590mm

**Features**

Black frameless  
Dial controls  
Indicator lights for each zone  
Residual heat indicators

**Cooking output**

4 ceramic plates  

- 2 zones:  
dia. 200mm – 1.80kW
- 2 zones:  
dia. 165mm – 1.20kW

**Electrical connection**

Rated load 6.0kW  
Fuse rating 32A

**C604E**

Electric sealed plate hob

W 580mm

**Features**

Stainless steel  
Dial controls  
Neon indicator lights  
6 Power levels

**Cooking output**

4 Sealed plates  

- 1 redspot plate:  
dia. 188mm – 2.00kW
- 2 regular plates:  
dia. 155mm – 1.00kW
- 1 regular plate:  
dia. 188mm – 1.50kW

**Electrical connection**

Rated load 5.50kW  
Fuse rating 25A



# gas hobs



It's about control. Instant heat when you want it at exactly the power you need. But when you choose a Caple gas hob, it's also about bringing a sense of style and finesse to your kitchen.

Just turn the dial. Caple gas hobs are incredibly intuitive to operate, and have automatic electronic ignition and a range of sizes and finishes. Every model has Flame Safe technology too, which instantly cuts the gas supply if the flame goes out.



Indian, Moroccan, Chinese or Thai – whatever you're cooking up, a Caple gas hob will have you well on your way to achieving exotic dishes at home. Our top models feature powerful triple ring burners – perfect for whipping up an oriental masterpiece in your wok.

### Sense style



Caple's Sense black glass hobs combine unrivalled functionality, state-of-the-art engineering and sheer style. There's also an option that sits flush with your worktop, but with the hob body recessed, making it quick and easy to clean up.

## recessed hobs

The look says it all. Designed to fit perfectly with the clean and uncluttered lines of a modern kitchen, this innovative hob offers more than superb styling; there are real practical advantages too.

Flush mounted or inset into your worktop, the recessed hob is the ideal match for solid surface worktop materials like marble, granite or slate. Flat cast iron supports mean that you can move pans across the hob effortlessly – and Caple's

Flame Safe feature gives you peace of mind; if a flame goes out, the gas supply is cut almost immediately. Both models also feature a powerful triple ring burner.



### Clean lines

With their elegant low-profile recessed design and exceptional styling, these superb hobs maintain the clean linear lines of your kitchen. They're thoroughly practical too – the hob's recess catches any spills and makes it easy to wipe down and clean. Discover the difference, and enjoy the intelligent cooking solution for today's kitchen.



**C972G**

Recessed gas hob

W 890mm

**Features**

Stainless steel  
 Flush mounted or inset  
 Flame safety device  
 Cast iron pan supports  
 Auto electronic ignition  
 LPG jets included

**Cooking output**

5 Gas burners

- 1 triple ring burner: 3.80kW
- 1 rapid burner: 3.0kW
- 2 semi-rapid burners: 1.75kW
- 1 simmer burner: 1.0kW

**Electrical connection**  
 Fuse rating 3A

**C1072G**

Recessed gas hob

W 1115mm

**Features**

Stainless steel  
 Flush mounted or inset  
 Flame safety device  
 Cast iron pan supports  
 Auto electronic ignition  
 LPG jets included

**Cooking output**

4 Gas burners

- 1 triple ring burner: 4.0kW
- 1 rapid burner: 3.0kW
- 1 semi-rapid burner: 1.75kW
- 1 simmer burner: 1.0kW

**Electrical connection**  
 Fuse rating 3A

# low profile hobs

Unrivalled performance and looks, coupled with ease of fitting. Caple low profile hobs are designed to sit on top of the work surface with the smallest of edges. The appearance of a professional kitchen with added Caple refinement.





**C848G**

Low profile gas hob

W 590mm

**Features**

Stainless steel  
 Flame safety device  
 Cast iron pan supports  
 Auto electronic ignition  
 LPG jets included

**Cooking output**

4 Gas burners

- 1 rapid burner: 3.00kW
- 2 semi-rapid burners: 1.75kW
- 1 simmer burner: 1.00kW

**Electrical connection**

Fuse rating 3A

**C866G**

Low profile gas hob

W 750mm

**Features**

Stainless steel  
 Flame safety device  
 Cast iron pan supports  
 Auto electronic ignition  
 LPG jets included

**Cooking output**

5 Gas burners

- 1 triple ring burner: 3.80kW
- 1 rapid burner: 3.00kW
- 2 semi-rapid burners: 1.75kW
- 1 simmer burner: 1.00kW

**Electrical connection**

Fuse rating 3A

**C873G**

Low profile gas hob

W 890mm

**Features**

Stainless steel  
 Flame safety device  
 Cast iron pan supports  
 Auto electronic ignition  
 LPG jets included

**Cooking output**

5 Gas burners

- 1 triple ring burner: 3.80kW
- 1 rapid burner: 3.00kW
- 2 semi-rapid burners: 1.75kW
- 1 simmer burner: 1.00kW

**Electrical connection**

Fuse rating 3A

# sense touch control gas-on-glass hobs

Cool black glass. Sleek touch controls. Advanced engineering technology. If you're looking for a hob that combines contemporary design with power and functionality, a Sense touch control hob ticks all the boxes.

That elegant black glass surface doesn't just look stunning – it makes your Sense hob a breeze to clean, while linked cast iron pan supports let you easily transfer pans across burners or away from the heat. All burners are Flame Safe, so if a

flame is extinguished for any reason, the gas supply is cut straight away. Each hob also features responsive triple ring burner for extra power.



## Precision built-in

We don't need to tell you that touch controls set into black tempered glass look fabulous, you can see that for yourself. With advanced digital technology giving you nine precise power levels on each burner, they also offer an exceptional level of control. The look is pure Sense. The functionality is pure Caple. Enjoy the best of both worlds.



**Sense C981G**

Touch control gas-on-glass hob

W 790mm

**Features**

Black Vitroceramic glass  
 9 level digital power display for each zone  
 Touch controls  
 End of cooking timer  
 Safety lock  
 Residual heat indicators  
 Flame safety device with auto restart  
 Cast iron pan supports  
 Auto electronic ignition  
 LPG jets included

**Cooking output**

5 Gas burners

- 1 triple ring burner: 4.00kW
- 1 rapid burner: 3.00kW
- 2 semi-rapid burners: 1.75kW
- 1 simmer burner: 1.00kW

**Electrical connection**

Fuse rating 3A

**Sense C1081G**

Touch control gas-on-glass hob

W 1000mm

**Features**

Black Vitroceramic glass  
 9 level digital power display for each zone  
 Touch controls  
 End of cooking timer  
 Safety lock  
 Residual heat indicators  
 Flame safety device with auto restart  
 Cast iron pan supports  
 Auto electronic ignition  
 LPG jets included

**Cooking output**

4 Gas burners

- 1 triple ring burner: 4.00kW
- 1 rapid burner: 3.00kW
- 1 semi-rapid burner: 1.75kW
- 1 simmer burner: 1.00kW

**Electrical connection**

Fuse rating 3A

**Sense C739G**

Gas-on-glass hob

W 600mm



**Features**

- Black tempered glass with stainless steel front trim
- Flame safety device
- Cast iron pan supports
- Auto electronic ignition
- LPG jets included

**Cooking output**

- 4 Gas burners
  - 1 rapid burner: 3.00kW
  - 2 semi-rapid burners: 1.75kW
  - 1 simmer burner: 1.00kW

**Electrical connection**

Fuse rating 3A

**Sense C759G**

Gas-on-glass hob

W 750mm



**Features**

- Black tempered glass with stainless steel front trim
- Flame safety device
- Cast iron pan supports
- Auto electronic ignition
- LPG jets included

**Cooking output**

- 5 Gas burners
  - 1 triple ring burner: 3.80kW
  - 1 rapid burner: 3.00kW
  - 2 semi-rapid burners: 1.75kW
  - 1 simmer burner: 1.00kW

**Electrical connection**

Fuse rating 3A

**Sense C769G**

Gas-on-glass hob

W 900mm

**Features**

Black tempered glass with stainless steel front trim  
 Flame safety device  
 Cast iron pan supports  
 Auto electronic ignition  
 LPG jets included

**Cooking output**

5 Gas burners

- 1 triple ring burner: 3.80kW
- 1 rapid burner: 3.00kW
- 2 semi-rapid burners: 1.75kW
- 1 simmer burner: 1.00kW

**Electrical connection**

Fuse rating 3A

**C742G**

Gas-on-glass hob

W 590mm

**Features**

Glass  
 Flame safety device  
 Enamelled pan supports  
 Auto electronic ignition  
 LPG jets included

**Cooking output**

4 Gas burners

- 1 rapid burner: 3.00kW
- 2 semi-rapid burners: 1.75kW
- 1 simmer burner: 1.00kW

**Electrical connection**

Fuse rating 3A



**C748G**

Gas hob

W 600mm

**Features**

Stainless steel  
 Flame safety device  
 Cast iron pan supports  
 Auto electronic ignition  
 LPG jets included

**Cooking output**

4 Gas burners

- 1 rapid burner: 3.00kW
- 2 semi-rapid burners: 1.75kW
- 1 simmer burner: 1.00kW

**Electrical connection**

Fuse rating 3A

**C766G**

Gas hob

W 745mm

**Features**

Stainless steel  
 Flame safety device  
 Cast iron pan supports  
 Auto electronic ignition  
 LPG jets included

**Cooking output**

5 Gas burners

- 1 triple ring burner: 3.80kW
- 1 rapid burner: 3.00kW
- 2 semi-rapid burners: 1.75kW
- 1 simmer burner: 1.00kW

**Electrical connection**

Fuse rating 3A

**C773G**

Gas hob

W 860mm

**Features**

Stainless steel  
Flame safety device  
Cast iron pan supports  
Auto electronic ignition  
LPG jets included

**Cooking output**

- 5 Gas burners
- 1 triple ring burner: 3.80kW
  - 1 rapid burner: 3.00kW
  - 2 semi-rapid burners: 1.75kW
  - 1 simmer burner: 1.00kW

**Electrical connection**

Fuse rating 3A

**C714G**

Gas hob

W 760mm

**Features**

Stainless steel  
Flame safety device  
Cast iron pan supports  
Auto electronic ignition  
LPG jets included

**Cooking output**

- 5 Gas burners
- 1 triple burner 3.3kW
  - 1 rapid burner 2.5kW
  - 3 semi-rapid burners 1.5kW

**Electrical connection**

Fuse rating 3A

**C704G**

Gas hob

W 590mm

**Features**

Stainless steel  
Flame safety device  
Enamelled pan supports  
Auto electronic ignition  
LPG jets included

**Cooking output**

- 4 Gas burners
- 1 rapid burner 2.5kW
  - 2 semi-rapid burners 1.5kW
  - 1 simmer burner 1.0kW

**Electrical connection**

Fuse rating 3A

## mix and match modular hobs



Modular hob systems allow you to build the perfect hob for your needs. You can combine gas, electric, induction and extraction across a single platform, for a truly bespoke solution that's sure to impress.

Just imagine it – a hob built to your exact specifications. Combine two, three, four or more modules, of any type and in any sequence. Introduce induction cooking into your kitchen by combining it with gas or electric for full use of all pan, or wow with tepan and induction wok cooking for a touch of sophistication.

Auto-ignition gas hobs have cast iron pan supports, and when coupled with powerful downdraft extraction offer clean, fully integrated design throughout – bespoke and beautiful.



**C995**

Tepan Hob

W 380mm

**Features**

Stainless steel with black glass control panel  
 9 Level power display  
 Automatic stop and temperature limiter  
 Residual heat indicator  
 Maximum temperature 240°C

**Cooking output**

1 Cooking zone  
 • zone:  
 380 x 380mm – 2.50kW

**Electrical connection**

Rated load 3.60kW  
 Fuse rating 20A

**C996i**

Induction modular hob

W 380mm

**Features**

Black ceramic with polished aluminium trim  
 9 Level digital power display for each zone  
 Touch controls  
 Automatic stop and temperature limiter  
 Child safety lock  
 Timer (up to 99mins) with audible alarm and auto switch-off  
 Residual heat indicators  
 Pot detection

**Cooking output**

2 Induction zones  
 • 1 zone:  
 dia. 200mm – 2.00kW  
 (with 3.00kW booster)  
 • 1 zone:  
 dia. 160mm – 1.60kW

**Electrical connection**

Rated load 3.60kW  
 Fuse rating 20A



**C930i**

Induction modular WOK hob

W 400mm

**Features**

Black ceramic with polished aluminium trim  
 9 Level digital power display for each zone  
 Touch controls  
 Automatic stop and temperature limiter  
 Child safety lock  
 Timer (up to 99mins) with audible alarm and auto switch-off  
 Residual heat indicators  
 Pot detection

**Cooking output**

1 Induction zone

- zone:  
3.00kW

**Electrical connection**

Rated load 3.60kW  
 Fuse rating 20A

**C993G**

Gas-on-glass modular hob

W 380mm

**Features**

Black ceramic with polished aluminium trim  
 Flame safety device  
 Cast iron pan support  
 Auto electronic ignition  
 LPG jets included

**Cooking output**

2 Gas burners

- 1 rapid burner: 3.00kW
- 1 semi-rapid burner: 1.75kW

**Electrical connection**

Fuse rating 3A

**Compatibility**

Our wok hobs work with numerous brands of wok, however please check compatibility prior to purchase.

**C994i**

Induction modular hob

W 288mm

**Features**

Black frameless  
 9 Level digital power display for each zone  
 Audible touch controls  
 Automatic stop and temperature limiter  
 Child safety lock  
 Timer (up to 99mins) with audible alarm and auto switch-off  
 Residual heat indicators  
 Pot detection

**Cooking output**

2 Induction zones

- 1 zone:  
dia. 140mm – 1.50kW
- 1 zone:  
dia. 180mm – 2.00kW

**Electrical connection**

Rated load 3.50kW  
 Fuse rating 20A

**C892C**

Electric ceramic modular hob

W 288mm

**Features**

Black frameless  
 9 Level digital power display for each zone  
 Audible touch controls  
 Automatic stop and temperature limiter  
 Child safety lock  
 Timer (up to 99mins) with audible alarm and auto switch-off  
 Residual heat indicators

**Cooking output**

2 Ceramic plates

- 1 hi-light zone:  
dia. 165mm – 1.20kW
- 1 hi-light zone:  
dia. 200mm – 1.80kW

**Electrical connection**

Rated load 3.00kW  
 Fuse rating 13A



# hoods

A well-engineered extractor hood does more than just help to capture odours from your kitchen. Be bold, and use it as a visual focal point too.





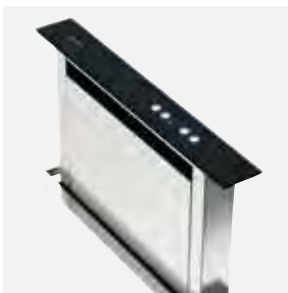


cople



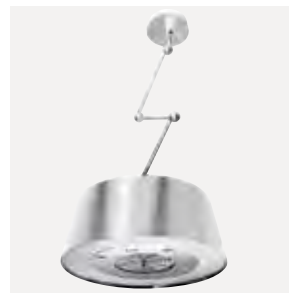
# choosing the right hood

We've designed one for every kind of kitchen. Different colours, different finishes, and plenty of functionality.



## Downdraft

This type of counter hood is installed behind or alongside your hob. When you need it, just press the button and it glides in to position.



## Island chimney

Better suited to larger kitchens. They suspend over a central island unit and can make a stunning focal point.



## Ceiling

They're unobtrusive and they save you space too. There are also variable extraction rates.



## Built-under

Ideal for smaller kitchens. They're cleverly integrated into the underside of kitchen units.



## Wall chimney

Available in all kinds of sizes, styles and finishes. Great for a dramatic centerpiece.



## Conventional

This type fits snugly beneath a kitchen unit, with controls usually found on the front.



## Integrated

Unobtrusively hidden behind kitchen furniture, and pulled out when needed.

# downdraft extractors



Caple downdraft extractors are the epitome of intelligent thinking in kitchen design. With an ingenious under-counter installation, wall space is kept clear and if integrated into an island unit, views across the kitchen remain uncluttered.



A downdraft extractor can be housed either behind or alongside a hob, in an island unit or within a base against a wall. Fitting elegantly into the surface until activated, it rises out of the worktop beyond the height of the pans to extract odours directly from the cooking area.

These smart extractors deliver high extraction rates and give you a choice of motors and motor positioning options to suit your kitchen design. For example, your motor could be situated under the floor, on an external wall or in a cupboard, so noise can be virtually eliminated (see page 130 for all the details). With real versatility, our downdraft extractors can expel air via ducting or recirculate it using charcoal filters.

#### Sleek Sense styling

Sense downdraft hoods feature touch control technology and are designed to complement the other appliances within the Sense range.

#### Smooth operator

At the push of a button, the extractor rises smoothly up from its flush, retracted position. It can be stopped at any height up to 300mm and automatically switches on at 180mm.



# sleek styling

Seamless integration, and unmistakable styling. Caple downdraft hoods combine stunning looks with maximum efficiency and flexibility.

With the flexibility to fit into virtually any hob arrangement, Caple downdraft hoods add style and functionality to your kitchen. Whether stainless steel or high-gloss black glass, you can tailor the look to compliment your design or to lead it.

Stunning looks are rivalled only by the range of features on offer – a perfect blend of style and substance.



## Lighting

Cool white neon lighting adds sophistication and style, whilst complimentary blue illuminated soft-touch controls, offer an intuitive way to maximise the effectiveness of this attractive, and innovative appliance.



## Flush fitting

There when you need it – designed to fit flush into your work surface, a sleek centre piece whether in use or not.





## Sense DD520BK

Modular downdraft hood

W 520mm



## Features

Stainless steel with a black glass panel  
Illuminated touch controls  
For use with gas or electric hobs  
Perimetrical extraction for reduced noise and increased pressure resulting in improved motor performance  
Extracts from both sides, ideal for installation between modular hobs  
4 Speeds  
Auto timer – switch-off after 10mins  
Aluminium grease filter  
Ducting spigot size 150mm  
Recirculation kit available  
The electric box must be located at least 650mm from the hob

## Motor options

(see page 132 -133)

DDMEXT1 – in cabinet installation, 800m<sup>3</sup>/h  
DDMEXT2 – ceiling cavity / under floor installation, 1000m<sup>3</sup>/h  
DDMEXT2/5 – ceiling cavity / under floor installation, 1200m to 1500m<sup>3</sup>/h  
DDMEXT3 – outside wall installation, 1000m<sup>3</sup>/h  
DDMEXT4 – outside wall installation, 1500 to 2100m<sup>3</sup>/h  
DDMEXT5 – outside chimney for roof installation, 1000m<sup>3</sup>/h brushless motor

## Optional extras

Recirculation kit CAP27CF (only for use with DDMEXT1)

**SEE PAGE 257 FOR VENTING KITS**

## Sense DD605BK

Flush downdraft hood

W 580mm



## Features

Stainless steel with a flush black glass panel  
Illuminated touch controls  
For use with gas or electric hobs  
Perimetrical extraction for reduced noise and increased pressure resulting in improved motor performance  
4 Speeds  
Auto timer – switch-off after 10mins  
Aluminium grease filter  
Ducting spigot size 150mm  
Recirculation kit available  
The electric box must be located at least 650mm from the hob

## Motor options

(see page 132 -133)

DDMEXT1 – in cabinet installation, 800m<sup>3</sup>/h  
DDMEXT2 – ceiling cavity / under floor installation, 1000m<sup>3</sup>/h  
DDMEXT2/5 – ceiling cavity / under floor installation, 1200m to 1500m<sup>3</sup>/h  
DDMEXT3 – outside wall installation, 1000m<sup>3</sup>/h  
DDMEXT4 – outside wall installation, 1500 to 2100m<sup>3</sup>/h  
DDMEXT5 – outside chimney for roof installation, 1000m<sup>3</sup>/h brushless motor

## Optional extras

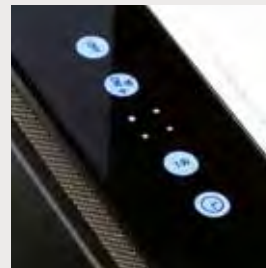
Recirculation kit CAP27CF (only for use with DDMEXT1)

**SEE PAGE 257 FOR VENTING KITS**



## Perfect fit

Able to extract from both sides, this clever hood is designed to fit seamlessly into any modular hob configuration, adding efficiency and style. (see pages 108 – 111)



## Touch control

Our black glass Sense hoods feature illuminated touch controls.

**Sense DD905BK**

Flush downdraft hood

W 880mm

**Features**

Stainless steel with a flush black glass panel  
Illuminated touch controls  
For use with gas or electric hobs  
Perimetrical extraction for reduced noise and increased pressure resulting in improved motor performance  
4 Speeds  
Auto timer – switch-off after 10mins  
Aluminium grease filter  
Ducting spigot size 150mm  
Recirculation kit available  
The electrics box must be located at least 650mm from the hob

**Motor options**

(see page 132 -133)

DDMEXT1 – in cabinet installation, 800m<sup>3</sup>/h  
DDMEXT2 – ceiling cavity / under floor installation, 1000m<sup>3</sup>/h  
DDMEXT2/5 – ceiling cavity / under floor installation, 1200m to 1500m<sup>3</sup>/h  
DDMEXT3 – outside wall installation, 1000m<sup>3</sup>/h  
DDMEXT4 – outside wall installation, 1500 to 2100m<sup>3</sup>/h  
DDMEXT5 – outside chimney for roof installation, 1000m<sup>3</sup>/h brushless motor

**Optional extras**

Recirculation kit CAP43CF (only for use with DDMEXT1)

**SEE PAGE 257 FOR VENTING KITS**

**Sense DD910BK**

Flush downdraft hood with light

W 875mm

**Features**

Stainless steel with a flush black glass panel  
Illuminated touch controls  
For use with gas or electric hobs  
Perimetrical extraction for reduced noise and increased pressure resulting in improved motor performance  
4 Speeds  
Auto timer – switch-off after 10mins  
Bright 14W white neon light  
Aluminium grease filter  
Ducting spigot size 150mm  
Recirculation kit available  
The electrics box must be located at least 650mm from the hob

**Motor options**

(see page 132 -133)

DDMEXT1 – in cabinet installation, 800m<sup>3</sup>/h  
DDMEXT2 – ceiling cavity / under floor installation, 1000m<sup>3</sup>/h  
DDMEXT2/5 – ceiling cavity / under floor installation, 1200m to 1500m<sup>3</sup>/h  
DDMEXT3 – outside wall installation, 1000m<sup>3</sup>/h  
DDMEXT4 – outside wall installation, 1500 to 2100m<sup>3</sup>/h  
DDMEXT5 – outside chimney for roof installation, 1000m<sup>3</sup>/h brushless motor

**Optional extras** Recirculation kit CAP43CF (only for use with DDMEXT1)

**SEE PAGE 257 FOR VENTING KITS**

**DD600SS**

Downdraft hood

W 580mm

**Features**

Stainless steel  
 Electronic controls  
 For use with gas or electric hobs  
 Perimetrical extraction for reduced noise and increased pressure resulting in improved motor performance  
 4 Speeds  
 Auto timer – switch-off after 10mins  
 Aluminium grease filter  
 Ducting spigot size 150mm  
 Recirculation kit available  
 The electrics box must be located at least 650mm from the hob

**Motor options**

(see page 132 -133)

DDMEXT1 – in cabinet installation, 800m<sup>3</sup>/h  
 DDMEXT2 – ceiling cavity / under floor installation, 1000m<sup>3</sup>/h  
 DDMEXT2/5 – ceiling cavity /under floor installation, 1200m to 1500m<sup>3</sup>/h  
 DDMEXT3 – outside wall installation, 1000m<sup>3</sup>/h  
 DDMEXT4 – outside wall installation, 1500 to 2100m<sup>3</sup>/h  
 DDMEXT5 – outside chimney for roof installation, 1000m<sup>3</sup>/h brushless motor

**Optional extras**

Recirculation kit CAP27CF  
 (only for use with DDMEXT1)

**SEE PAGE 257 FOR VENTING KITS**

**DD900SS**

Downdraft hood

W 880mm

**Features**

Stainless steel  
 Electronic controls  
 For use with gas or electric hobs  
 Perimetrical extraction for reduced noise and increased pressure resulting in improved motor performance  
 4 Speeds  
 Auto timer – switch-off after 10mins  
 Aluminium grease filter  
 Ducting spigot size 150mm  
 Recirculation kit available  
 The electrics box must be located at least 650mm from the hob

**Motor options**

(see page 132 -133)

DDMEXT1 – in cabinet installation, 800m<sup>3</sup>/h  
 DDMEXT2 – ceiling cavity / under floor installation, 1000m<sup>3</sup>/h  
 DDMEXT2/5 – ceiling cavity /under floor installation, 1200m to 1500m<sup>3</sup>/h  
 DDMEXT3 – outside wall installation, 1000m<sup>3</sup>/h  
 DDMEXT4 – outside wall installation, 1500 to 2100m<sup>3</sup>/h  
 DDMEXT5 – outside chimney for roof installation, 1000m<sup>3</sup>/h brushless motor

**Optional extras**

Recirculation kit CAP43CF  
 (only for use with DDMEXT1)

**SEE PAGE 257 FOR VENTING KITS**

**DD910SS**

Flush downdraft hood with light

W 875mm

**Features**

Stainless steel frame with flush stainless steel panel  
Illuminated touch controls  
For use with gas or electric hobs  
Perimetrical extraction for reduced noise and increased pressure resulting in improved motor performance  
4 Speeds  
Auto timer – switch-off after 10mins  
Bright 14W white neon light  
Aluminium grease filter  
Ducting spigot size 150mm  
Recirculation kit available  
The electric box must be located at least 650mm from the hob

**Motor options (see page 132 -133)**

DDMEXT1 – in cabinet installation, 800m<sup>3</sup>/h  
DDMEXT2 – ceiling cavity / under floor installation, 1000m<sup>3</sup>/h  
DDMEXT2/5 – ceiling cavity / under floor installation, 1200m to 1500m<sup>3</sup>/h  
DDMEXT3 – outside wall installation, 1000m<sup>3</sup>/h  
DDMEXT4 – outside wall installation, 1500 to 2100m<sup>3</sup>/h  
DDMEXT5 – outside chimney for roof installation, 1000m<sup>3</sup>/h brushless motor

**Optional extras**

Recirculation kit CAP43CF only for use with DDMEXT1)

**SEE PAGE 257 FOR VENTING KITS**

**DD910WH**

Flush downdraft hood with light`

W 875mm

**Features**

Stainless steel frame with flush white glass panel  
Illuminated touch controls  
For use with gas or electric hobs  
Perimetrical extraction for reduced noise and increased pressure resulting in improved motor performance  
4 Speeds  
Auto timer – switch-off after 10mins  
Bright 14W white neon light  
Aluminium grease filter  
Ducting spigot size 150mm  
Recirculation kit available  
The electric box must be located at least 650mm from the hob

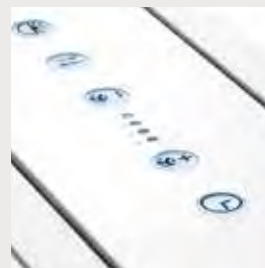
**Motor options (see page 132 -133)**

DDMEXT1 – in cabinet installation, 800m<sup>3</sup>/h  
DDMEXT2 – ceiling cavity / under floor installation, 1000m<sup>3</sup>/h  
DDMEXT2/5 – ceiling cavity / under floor installation, 1200m to 1500m<sup>3</sup>/h  
DDMEXT3 – outside wall installation, 1000m<sup>3</sup>/h  
DDMEXT4 – outside wall installation, 1500 to 2100m<sup>3</sup>/h  
DDMEXT5 – outside chimney for roof installation, 1000m<sup>3</sup>/h brushless motor

**Optional extras**

Recirculation kit CAP43CF only for use with DDMEXT1)

**SEE PAGE 257 FOR VENTING KITS**

**Touch control**

The stainless steel flush downdraft features soft-touch illuminated controls.



# ceiling extractors



Style is nothing without functionality. That's why Caple's ceiling extractors come with both, as standard.

They're available in three sizes and engineered to achieve the very highest extraction rates. There's also a choice of motors, which can be positioned in a range of locations to reduce noise and free-up space.

Every Caple ceiling extractor uses our perimetric extraction system, which draws air in through narrow apertures around the full perimeter of the pan. It means higher air pressure, greater efficiency and less noise too.



### Creating the right atmosphere

You can also select just the right kind of lighting you want for your kitchen. From bright white to a soft, cosy, glow.

### Control at your fingertips



Our user-friendly remote control, places both power and lighting functions within easy reach. It also allows you to set the handy timer function, which automatically switches off the extractor after 10 minutes, so when you leave your kitchen you know that any odours will be gone by the time you return.

# centre stage

So much more than meets the eye. The epitome of contemporary design and technology.

Perfectly complimenting any Caple product, this ceiling extractor provides performance and styling like no other.

LED strip lighting, white glass finish and intelligent features secure it's place as not only a focal point to your kitchen, but an invaluable addition.





**CE900**

Ceiling extractor

W 900mm

**Features**

Stainless steel  
Remote control included  
Perimetrical extraction for reduced noise and increased pressure resulting in improved motor performance  
4 Speeds  
2 x 6W LED light strips  
Aluminium grease filters  
Ducting spigot size 150mm  
Motor not included  
Ducted only installation

**Motor options**  
(see page 132 -133)

DDMEXT1 – in cabinet installation, 800m<sup>3</sup>/h  
DDMEXT2 – ceiling cavity / under floor installation, 1000m<sup>3</sup>/h  
DDMEXT2/5 – ceiling cavity / under floor installation, 1200m to 1500m<sup>3</sup>/h  
DDMEXT3 – outside wall installation, 1000m<sup>3</sup>/h  
DDMEXT4 – outside wall installation, 1500 to 2100m<sup>3</sup>/h  
DDMEXT5 – outside chimney for roof installation, 1000m<sup>3</sup>/h brushless motor  
**SEE PAGE 257 FOR VENTING KITS**

**CE1105**

Illuminating ceiling extractor

W 1080mm

**Features**

Stainless steel trim  
Remote control included  
Perimetrical extraction for reduced noise and increased pressure resulting in improved motor performance  
4 Speeds  
6 x 14W white neon lights  
Auto timer – switch-off after 10mins  
Aluminium grease filters  
Ducting spigot size 150mm  
Motor not included  
Ducted only installation

**Motor options**  
(see page 132 -133)

DDMEXT1 – in cabinet installation, 800m<sup>3</sup>/h  
DDMEXT2 – ceiling cavity / under floor installation, 1000m<sup>3</sup>/h  
DDMEXT2/5 – ceiling cavity / under floor installation, 1200m to 1500m<sup>3</sup>/h  
DDMEXT3 – outside wall installation, 1000m<sup>3</sup>/h  
DDMEXT4 – outside wall installation, 1500 to 2100m<sup>3</sup>/h  
DDMEXT5 – outside chimney for roof installation, 1000m<sup>3</sup>/h brushless motor  
**SEE PAGE 257 FOR VENTING KITS**



**CE1100**

Ceiling extractor

W 1100mm

**Features**

Stainless steel  
 Remote control included  
 Perimetrical extraction for reduced noise and increased pressure resulting in improved motor performance  
 4 Speeds  
 4 x 20W dichroic lights with dimmer  
 Auto timer – switch-off after 10mins  
 Aluminium grease filters  
 Ducting spigot size 150mm  
 Motor not included  
 Ducted only installation

**Motor options**

(see page 132 -133)

DDMEXT1 – in cabinet installation, 800m<sup>3</sup>/h  
 DDMEXT2 – ceiling cavity / under floor installation, 1000m<sup>3</sup>/h  
 DDMEXT2/5 – ceiling cavity / under floor installation, 1200m to 1500m<sup>3</sup>/h  
 DDMEXT3 – outside wall installation, 1000m<sup>3</sup>/h  
 DDMEXT4 – outside wall installation, 1500 to 2100m<sup>3</sup>/h  
 DDMEXT5 – outside chimney for roof installation, 1000m<sup>3</sup>/h brushless motor

**SEE PAGE 257 FOR VENTING KITS**

**CE1120**

Ceiling extractor with built in motor

W 1100mm

**Features**

White glass and stainless steel  
 Remote control included  
 Perimetrical extraction for reduced noise and increased pressure resulting in improved motor performance  
 4 Speeds  
 2 x 15W LED strip lights  
 Auto timer – switch-off after 10mins  
 Aluminium grease filters  
 Motor included  
 Ducting spigot size 150mm

**Performance**

Max. extraction 800m<sup>3</sup>/h  
 Max. noise 58dB(A)

**Optional extras**

Recirculation kit CAP64CF

**SEE PAGE 257 FOR VENTING KITS**

# extraction motors

Caple's downdraft and ceiling extractors work with the following motors options:

## DDMEXT1

Extraction motor



### Features

Motor for use with Caple downdraft extractors  
For installation in cabinet  
Aluminium die-cast construction  
Ducting spigot size 150mm

### Performance

Max. extraction 800m<sup>3</sup>/h  
Max. noise level 59dB(A)

## DDMEXT2

Extraction motor



### Features

Motor for use with Caple downdraft or ceiling extractors  
For installation in ceiling cavity or floor space  
7m long connection cable (allowing motor installation up to 7m from the extractor)  
Aluminium die-cast construction  
Ducting spigot size 150mm  
Rigid ducting must be used

### Performance

Max. extraction 1000m<sup>3</sup>/h  
Max. noise level 62dB(A)

## DDMEXT2/5

Extraction motor



### Features

Motor for use with Caple downdraft or ceiling extractors  
For installation in ceiling cavity or floor space  
7m long connection cable (allowing motor installation up to 7m from the extractor)  
Aluminium die-cast construction  
Ducting spigot size 150/200mm  
Rigid ducting must be used

### Performance

Max. extraction 1200m<sup>3</sup>/h with 150mm ducting  
Max. noise level 63dB[A]  
Max. extraction 1500m<sup>3</sup>/h with 200mm ducting  
Max. noise level 67dB[A]

## DDMEXT3

Extraction motor

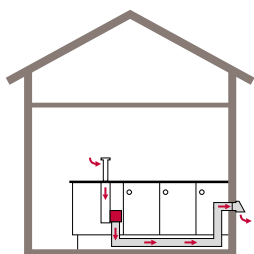


### Features

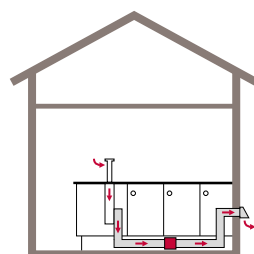
Motor for use with Caple downdraft or ceiling extractors  
For installation on outside wall  
7m long connection cable (allowing motor installation up to 7m from the extractor)  
Stainless steel construction  
Ducting spigot size 150mm  
Rigid ducting must be used

### Performance

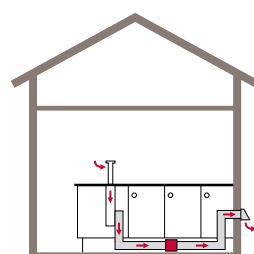
Max. extraction 1000m<sup>3</sup>/h  
Max. noise level 64dB(A)



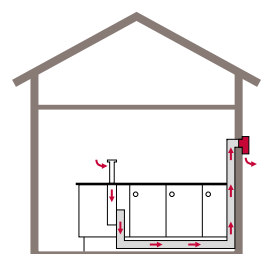
DDMEXT1 with downdraft



DDMEXT2 with downdraft

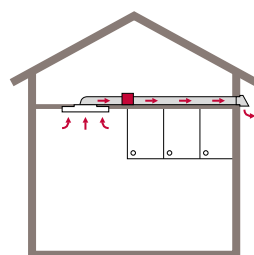


DDMEXT2/5 with downdraft

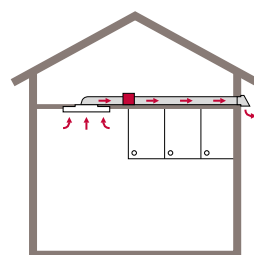


DDMEXT3 with downdraft

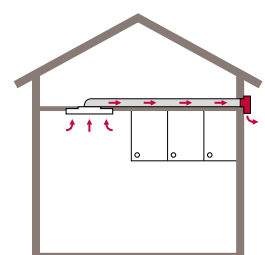
SEE PAGE 257 FOR VENTING KITS



DDMEXT2 with ceiling



DDMEXT2/5 with ceiling



DDMEXT3 with ceiling

Note: The venting for the downdraft hoods can also be installed below the floor.

Due to the power and fitment of our external motors, rigid ducting must be used.

**DDMEXT4**

Extraction motor

**Features**

Motor for use with Caple downdraft or ceiling extractors  
 For installation on outside wall  
 7m long connection cable  
 (allowing motor installation up to 7m from the extractor)  
 Stainless steel construction  
 Ducting spigot size 150mm  
 Rigid ducting must be used

**Performance**

Max. extraction 2100m<sup>3</sup>/h  
 with 200mm ducting  
 Max. extraction 1500m<sup>3</sup>/h  
 with 150mm ducting  
 Max. noise level 68dB(A)

**DDMEXT5**

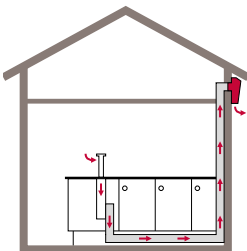
Extraction motor

**Features**

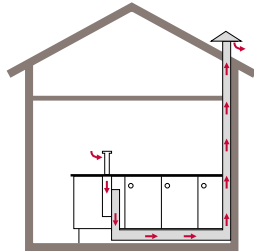
Motor for use with Caple downdraft or ceiling extractors  
 For roof installation  
 7m long connection cable  
 (allowing motor installation up to 7m from the extractor)  
 Brushless motor  
 Stainless steel construction  
 Ducting spigot size 150mm  
 Rigid ducting must be used

**Performance**

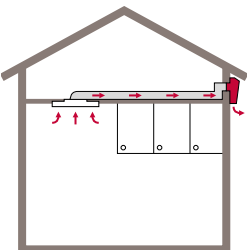
Max. extraction 1000m<sup>3</sup>/h  
 Max. noise level 65dB(A)



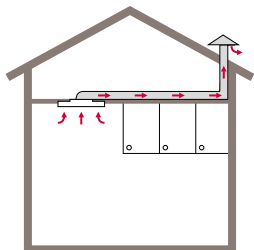
DDMEXT4 with downdraft



DDMEXT5 with downdraft



DDMEXT4 with ceiling



DDMEXT5 with ceiling

# viento island chimney hood

Iconic styling and impressive performance. Whether high gloss black, white or sleek stainless steel finish, this hood offers standout looks whilst integrating perfectly into your kitchen.



## Viento VIE550BK

Island chimney hood

W 550mm



### Features

Black  
Remote control  
4 Speeds  
4 x 1W LED light  
Auto timer – switch-off after 10mins  
Aluminium washable grease filter  
Recirculation only installation (supplied with recirculation kit)

### Performance

Max. extraction 550m<sup>3</sup>/h  
Max. noise level 50dB(A)

### Optional extras

Replacement recirculation kit CAP54CF

## Viento VIE550SS

Island chimney hood

W 550mm



### Features

Stainless steel  
Remote control  
4 Speeds  
4 x 1W LED light  
Auto timer – switch-off after 10mins  
Aluminium washable grease filter  
Recirculation only installation (supplied with recirculation kit)

### Performance

Max. extraction 550m<sup>3</sup>/h  
Max. noise level 50dB(A)

### Optional extras

Replacement recirculation kit CAP54CF

## Viento VIE550WH

Island chimney hood

W 550mm



### Features

White  
Remote control  
4 Speeds  
4 x 1W LED light  
Auto timer – switch-off after 10mins  
Aluminium washable grease filter  
Recirculation only installation (supplied with recirculation kit)

### Performance

Max. extraction 550m<sup>3</sup>/h  
Max. noise level 50dB(A)

### Optional extras

Replacement recirculation kit CAP54CF



### Control at your fingertips

Our user-friendly remote control, places both power and lighting functions within easy reach. It also allows you to set the handy timer function, which automatically switches off the extractor after 10 minutes, so when you leave your kitchen you know that any odours will be gone by the time you return.



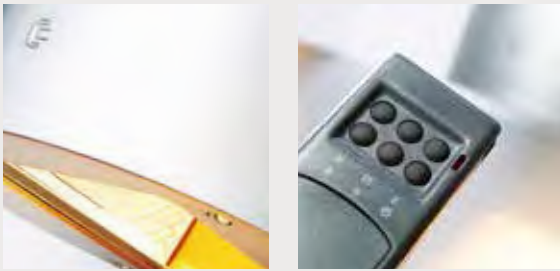
# orbit island chimney hood



Sculptured from stainless steel, this bold design oozes style. While under the hood, it's all about the performance.

Not only does it come with four speeds and a powerful maximum extraction rate of 800m<sup>3</sup>/h, there's also an automatic 10 minute switch-off timer, so you can leave your kitchen knowing all those unpleasant odours will be long gone by the time you return to clear away.

### One touch, endless options



An easy-to-use remote control unit gives you instant fingertip control. Control the power functions, set the automatic switch-off timer and finely adjust the 50 Watt dichroic light.

### Orbit Oi360

Island chimney hood

Dia. 362mm



#### Features

Stainless steel  
Remote control  
4 Speeds  
1 x 50W dichroic light  
Auto timer – switch-off after 10mins  
Aluminium grease filter  
Ducting spigot size 150mm  
Recirculation kit available

#### Performance

Max. extraction 800m<sup>3</sup>/h  
Max. noise level 59dB(A)

#### Accessories

Remote control

#### Optional extras

Recirculation kit CAP38CF

**SEE PAGE 257 FOR VENTING KITS**

# plaza island chimney hood



Bold, angular design, uncompromisingly versatile and of course engineered for performance.

Its sleek stainless steel skin houses a range of advanced features. There are four speed settings, a powerful maximum extraction rate of 800m<sup>3</sup>/h, plus an automatic 10 minute switch-off timer. You can also precisely adjust the 50 Watt dichroic light to keep surfaces perfectly illuminated.

### More from less



There's no control panel to clutter the design. Instead, it has its own intuitive remote control unit so all the functionality is instantly in reach.

### Plaza Pi400

Island chimney hood

W 400mm



#### Features

Stainless steel  
Remote control  
4 Speeds  
1 x 50W dichroic light  
Auto timer – switch-off after 10mins  
Aluminium grease filter  
Ducting spigot size 150mm  
Recirculation kit available

#### Performance

Max. extraction 800m<sup>3</sup>/h  
Max. noise level 59dB(A)

#### Accessories

Remote control

#### Optional extras

Recirculation kit CAP39CF

**SEE PAGE 257 FOR VENTING KITS**

# zodiac wall chimney and island hoods

Under the glass front panel hides the most advanced technology, and truly exceptional performance.



These stylish models perfectly complement our Sense appliance range. Together with its brushed stainless steel and black or white glass exterior (2), every model has back-lit touch controls for total precision with an uncluttered look (1 & 3).

The Zodiac wall models are available in both 90cm and 60cm widths whilst island models are available in 90cm.

**Zodiac touch control ZC920**

Wall chimney hood

W 900mm

**Features**

Stainless steel with a black glass front panel  
Illuminated LED touch controls  
3 Speeds  
2 x 1.5W LED lights  
Aluminium grease filters  
Ducting spigot size 150mm  
Recirculation kit available

**Performance**

Max. extraction 750m<sup>3</sup>/h  
Max. noise level 55dB(A)

**Optional extras**

Recirculation kit CAP24CF

**SEE PAGE 257 FOR VENTING KITS**

**Zodiac touch control ZC620**

Wall chimney hood

W 600mm

**Features**

Stainless steel with a black glass front panel  
Illuminated LED touch controls  
3 Speeds  
2 x 1.5W LED lights  
Aluminium grease filters  
Ducting spigot size 150mm  
Recirculation kit available

**Performance**

Max. extraction 750m<sup>3</sup>/h  
Max. noise level 55dB(A)

**Optional extras**

Recirculation kit CAP24CF

**SEE PAGE 257 FOR VENTING KITS**

**Zodiac touch control Zi920**

Island hood

W 900mm

**Features**

Stainless steel with a black glass front panel  
Illuminated LED touch controls  
4 Speeds  
2 x 6W LED lights  
Aluminium grease filter  
Ducting spigot size 150mm  
Recirculation kit available

**Performance**

Max. extraction 900m<sup>3</sup>/h  
Max. noise level 58dB(A)

**Optional extras**

Recirculation kit CAP63CF

**SEE PAGE 257 FOR VENTING KITS**

**Zodiac touch control Zi920WH**

Island hood

W 900mm

**Features**

Stainless steel with a white glass front panel  
Illuminated LED touch controls  
4 Speeds  
2 x 6W LED lights  
Aluminium grease filter  
Ducting spigot size 150mm  
Recirculation kit available

**Performance**

Max. extraction 900m<sup>3</sup>/h  
Max. noise level 58dB(A)

**Optional extras**

Recirculation kit CAP63CF

**SEE PAGE 257 FOR VENTING KITS**



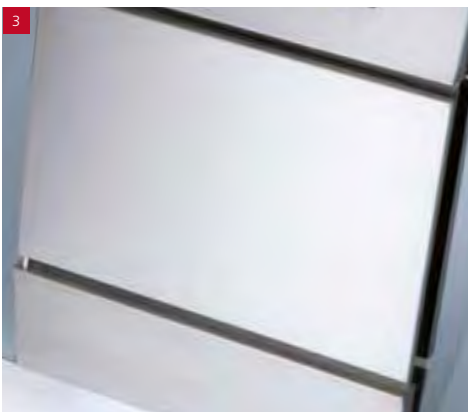
# spirit wall chimney hoods



Easy to use and with a very high extraction rate which brings super performance and efficiency.

Choose from smooth black glass or go for stainless steel with smoked glass. What's more, this hood can also filter and recirculate air. The slider control panel is incredibly

intuitive to use (2). Washable aluminium grease filters are discreetly hidden by an easy to open panel (3).



**Spirit SP610BK**

Wall chimney hood

W 600mm

**Features**

Black with black glass panels  
 Touch-screen slider controls with display  
 Remote control  
 3 Speeds  
 3.0 watt white LED light bar  
 4 levels of brightness for the LED lights  
 Auto timer  
 Aluminium grease filters  
 Ducting spigot size 150mm  
 Recirculation kit available

**Performance**

Max. extraction 750m<sup>3</sup>/h  
 Max. noise level 56dB(A)

**Optional extras**

Recirculation kit CAP24CF

**SEE PAGE 257 FOR VENTING KITS**

**Spirit SP910BK**

Wall chimney hood

W 900mm

**Features**

Black with black glass panels  
 Touch-screen slider controls with display  
 Remote control  
 3 Speeds  
 3.0 watt white LED light bar  
 4 levels of brightness for the LED lights  
 Auto timer  
 Aluminium grease filters  
 Ducting spigot size 150mm  
 Recirculation kit available

**Performance**

Max. extraction 750m<sup>3</sup>/h  
 Max. noise level 56dB(A)

**Optional extras**

Recirculation kit CAP24CF

**SEE PAGE 257 FOR VENTING KITS**

**Spirit SP610SS**

Wall chimney hood

W 600mm

**Features**

Stainless steel with smoked glass panels  
 Touch-screen slider controls with display  
 Remote control  
 3 Speeds  
 3.0 watt white LED light bar  
 4 levels of brightness for the LED lights  
 Auto timer  
 Aluminium grease filters  
 Ducting spigot size 150mm  
 Recirculation kit available

**Performance**

Max. extraction 750m<sup>3</sup>/h  
 Max. noise level 56dB(A)

**Optional extras**

Recirculation kit CAP24CF

**SEE PAGE 257 FOR VENTING KITS**

**Spirit SP910SS**

Wall chimney hood

W 900mm

**Features**

Stainless steel with smoked glass panels  
 Touch-screen slider controls with display  
 Remote control  
 3 Speeds  
 3.0 watt white LED light bar  
 4 levels of brightness for the LED lights  
 Auto timer  
 Aluminium grease filters  
 Ducting spigot size 150mm  
 Recirculation kit available

**Performance**

Max. extraction 750m<sup>3</sup>/h  
 Max. noise level 56dB(A)

**Optional extras**

Recirculation kit CAP24CF

**SEE PAGE 257 FOR VENTING KITS**

# motus wall chimney hood



The pinnacle of design engineering. An uncompromising example of external styling and internal excellence. The finest materials are combined to create an unrivalled extractor with exceptional looks.

## Elegant efficiency

Rotary control operation with electric blue display as your Motus hood glides into action.



**Stage 1**  
The whisper quiet perimetrical extraction system removes even the most subtle odours.



**Stage 2**  
The black glass front rises further to reveal the aluminium filters as the extraction level increases.



**Stage 3**  
Glides effortlessly into position to remove even the strongest cooking odours.



**Stage 4**  
Maximum extraction when you need it most. Still operating below an impressive 55dB(A).

## Motus MOT900

Wall chimney hood

W 900mm



### Features

Polished stainless steel with black glass  
Supplied with optional stainless steel flue  
Rotary control with electronic display  
Mechanical automatic opening (dependent on speed setting)  
Perimetrical extraction for reduced noise and increased pressure resulting in improved motor performance  
4 Speeds  
10W LED strip light  
Auto timer – switch-off after 10mins  
Aluminium washable grease filters  
Ducting spigot size 150mm  
Recirculation kit available

### Performance

Max. extraction 900m<sup>3</sup>/h  
Max. noise level 55dB(A)

### Optional extras

Recirculation kit CAP52CF

SEE PAGE 257 FOR VENTING KITS



# motus touch wall chimney hood



Minimal, sleek styling and advanced design engineering combine effortlessly to make an exceptional extractor that smoothly slides into action via subtle, elegant electronic touch controls.

The Motus wall chimney hood uses perimetrical extraction to quietly remove even the most subtle odours. The stylish black glass front rises further to reveal the aluminium filters as the extraction level increases. Even at the maximum extraction rate, an impressive 900m<sup>3</sup>/h, the Motus still only has a maximum noise level of 55dB(A).

Effortlessly stylish and quietly efficient.

### Motus touch MOT910

Wall chimney hood

W 900mm



#### Features

Black glass and stainless steel  
 Supplied with optional stainless steel flue (shown fitted above and left)  
 Full touch control with electronic display  
 Mechanical automatic opening (dependent on speed setting)  
 Perimetrical extraction for reduced noise and increased pressure resulting in improved motor performance  
 4 Speeds  
 10W LED strip light  
 Auto timer – switch-off after 10mins  
 Aluminium washable grease filters  
 Ducting spigot size 150mm  
 Recirculation kit available

#### Performance

Max. extraction 900m<sup>3</sup>/h  
 Max. noise level 55dB(A)

#### Optional extras

Recirculation kit CAP52CF

**SEE PAGE 257 FOR VENTING KITS**

# ZZ800 wall chimney hood

Want to make a statement in your kitchen? The ZZ800 will definitely do that. In stunning stainless steel and black glass, the ZZ800 is a great addition to any modern kitchen.

The ZZ800 has electronic touch controls, an auto timer, 4 speeds - up to an impressive maximum extraction rate of 900m<sup>3</sup>/h with perimetrical extraction for reduced noise (Max. 58dB) and improved motor performance.

The aluminium grease filters are easily accessible and the subtle but elegant LED lights make this not only stylish but practical too.



## Control at your fingertips



Easy to use electronic touch controls means you can concentrate on cooking your favourite dishes safe in the knowledge that the ZZ800 is doing its job.

## ZZ800

Wall chimney hood

W 800mm



### Features

Stainless steel and black glass  
Electronic touch control  
4 Speeds  
2 x 6W LED light strips  
Auto timer  
Aluminium grease filter  
Ducting spigot size 150mm  
Recirculation kit available

### Performance

Max. extraction 900m<sup>3</sup>/h  
Max. noise level 58dB(A)

### Optional extras

Recirculation kit CAP54CF

**SEE PAGE 257 FOR  
VENTING KITS**

# lucis wall chimney hood



Contemporary styling, at home in even the most modern kitchen. Striking appearance and compact design offer the best of both worlds – great looks and exceptional performance.

To be seen and not heard, this wall hood provides perimetrical extraction for increased pressure but with minimal noise for maximum effectiveness.

### Technology in action

The smooth rotary control knob allows you to up the ante with 4 extraction speeds, shown beautifully on the electronic display.



### LED lighting

For additional style and mood lighting 3 LED lights sit underneath the hood, whilst a clever auto switch off timer gives added confidence.



### Lucis LUC600

Wall chimney hood

W 600mm



#### Features

- Stainless steel and black glass
- Supplied with optional stainless steel flue (not shown)
- Rotary control with electronic display
- Perimetrical extraction for reduced noise and increased pressure resulting in improved motor performance
- 4 Speeds
- 3 x 1W LED lights
- Auto timer – switch-off after 10mins
- Aluminium washable grease filter
- Ducting spigot size 150mm
- Recirculation kit available

#### Performance

- Max. extraction 500m<sup>3</sup>/h
- Max. noise level 55dB(A)

#### Optional extras

- Recirculation kit CAP53CF

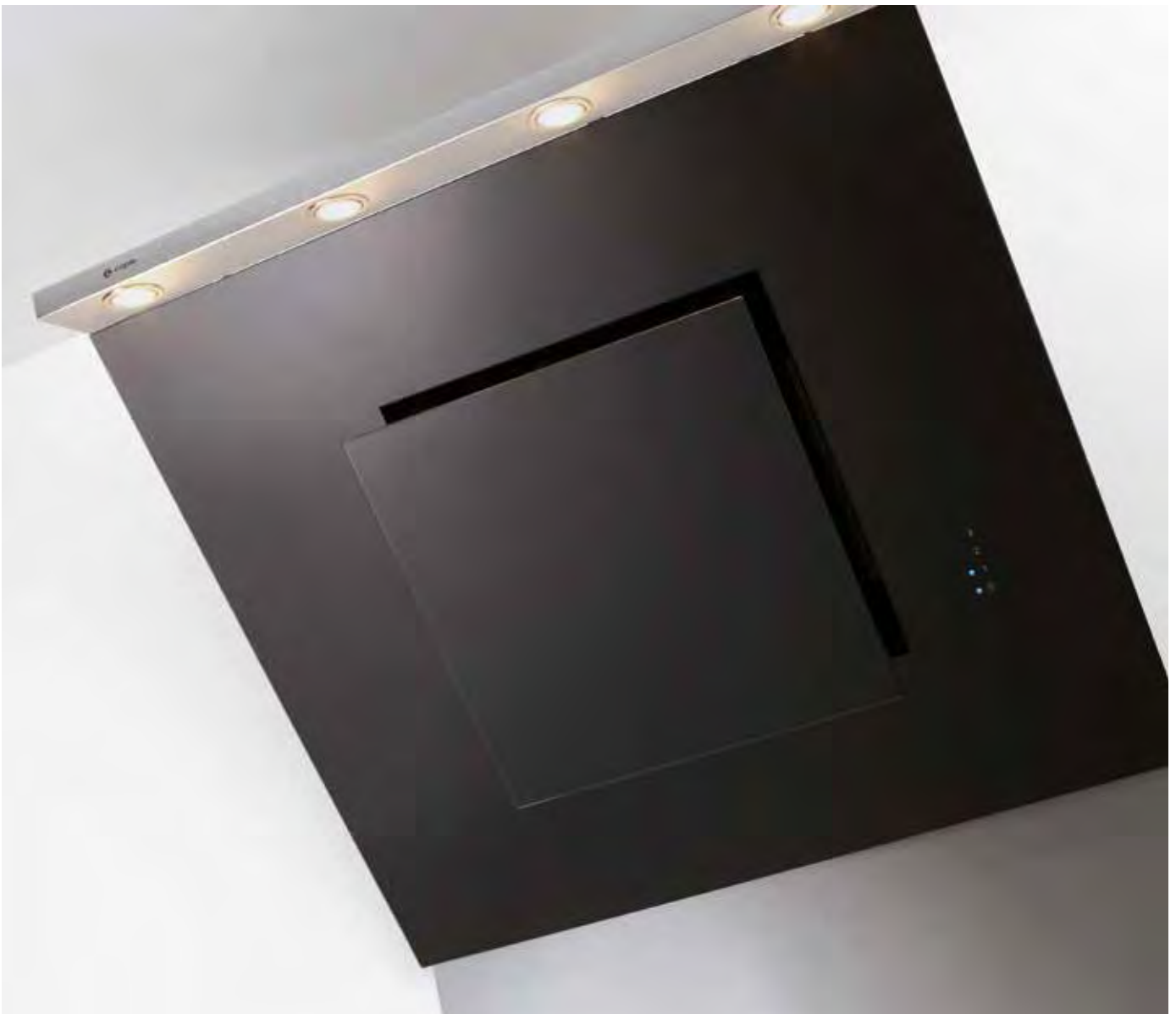
**SEE PAGE 257 FOR VENTING KITS**



# astro wall chimney hood

Powerful and impressive. A design that delivers performance and a touch of drama.

Ideal for larger rooms, this model features LED lighting, practical touch-controls and a powerful maximum extraction rate of 750m<sup>3</sup>/h. Perfect if you're looking for style, functionality and raw power.



### Astro AS610BK

Wall chimney hood

W 600mm



#### Features

Black glass and stainless steel  
Touch controls  
3 Speeds  
4 x 1.5W LED lights  
Aluminium grease filters  
Ducting spigot size 150mm  
Stainless steel flue included  
Can be installed without flue  
Recirculation kit available

#### Performance

Max. extraction 750m<sup>3</sup>/h  
Max. noise level 55dB(A)

#### Optional extras

Recirculation kit CAP55CF  
(2 required)

**SEE PAGE 257 FOR  
VENTING KITS**

### Astro AS910BK

Wall chimney hood

W 900mm



#### Features

Black glass and stainless steel  
Touch controls  
3 Speeds  
4 x 1.5W LED lights  
Aluminium grease filters  
Ducting spigot size 150mm  
Stainless steel flue included  
Can be installed without flue  
Recirculation kit available

#### Performance

Max. extraction 750m<sup>3</sup>/h  
Max. noise level 55dB(A)

#### Optional extras

Recirculation kit CAP55CF  
(2 required)

**SEE PAGE 257 FOR  
VENTING KITS**

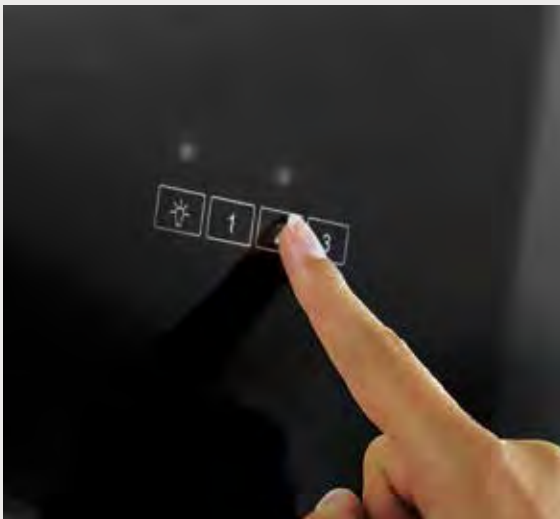
# luna wall chimney hood



Here's something you don't see everyday. A black glass disc that will make a real statement in your kitchen.

### At the touch of a button

Either way, you'll benefit from discreet seamless touch controls that let you select between three convenient speeds, and operate the two powerful LED lights.



### Luna LC610BK

Wall chimney hood

W 600mm



#### Features

Black glass and stainless steel  
Touch controls  
3 Speeds  
2 x 1.5W LED lights  
Aluminium grease filters  
Ducting spigot size 150mm  
Recirculation kit available

#### Performance

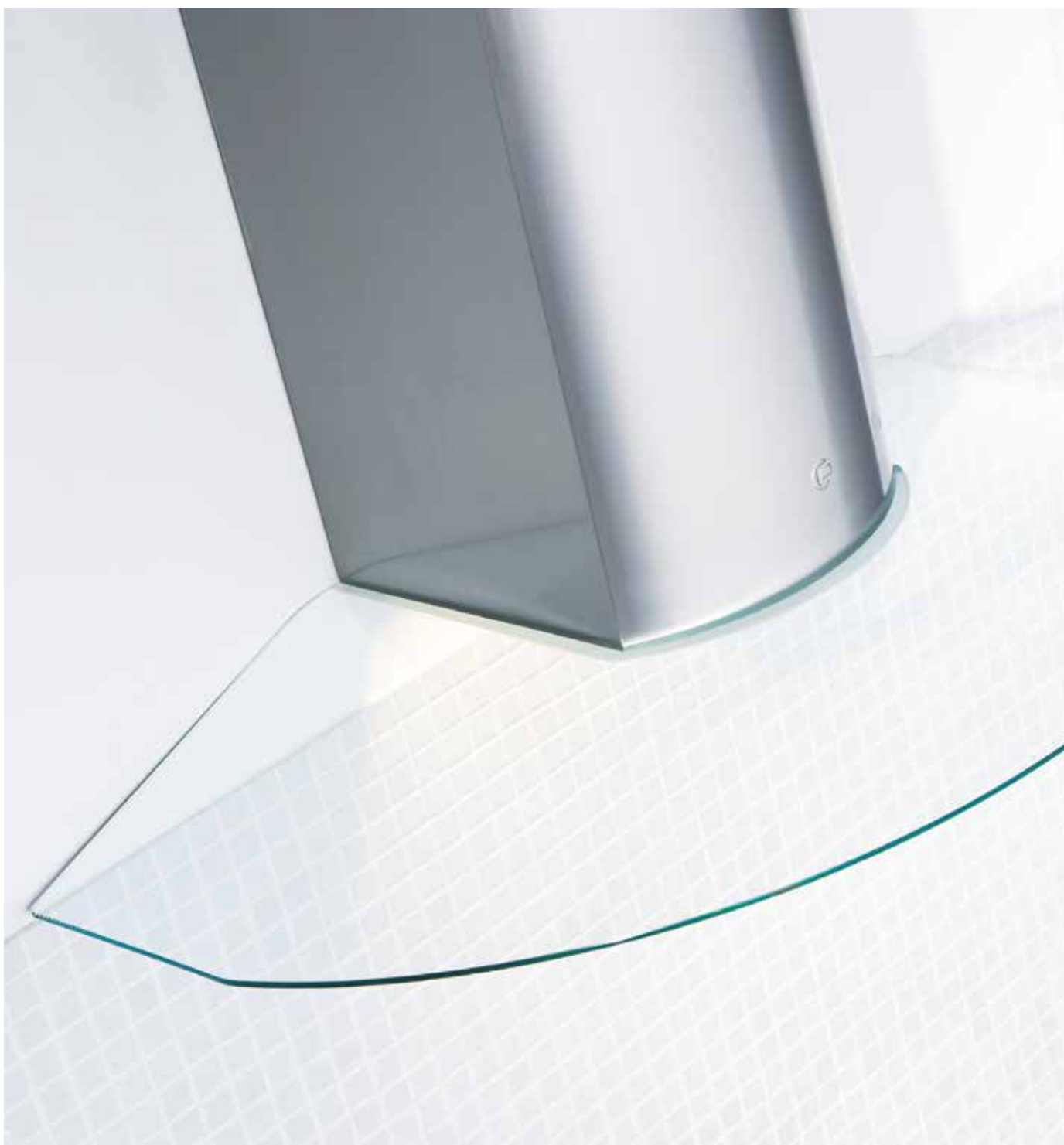
Max. extraction 750m<sup>3</sup>/h  
Max. noise level 55dB(A)

#### Optional extras

Recirculation kit 2 x CAP55CF

**SEE PAGE 257 FOR  
VENTING KITS**

# mirage wall chimney hood



The strength of stainless steel, with the freshness of clear glass.  
A new take on a classic design.

Mirage is the perfect balance of form and function. A concealed aluminium grease filter and gutsy 800m<sup>3</sup>/h maximum extraction rate dispel even stubborn kitchen odours, while a 10 minute automatic timer deactivates the unit when it's finished. There's also a powerful dichroic light to create a perfectly lit kitchen environment.

### Stay in control

Mirage's four speed settings, light and timer function can be controlled by a simple remote control unit. You're in charge wherever you are in the kitchen.



### Mirage MC900SS

Wall chimney hood

W 900mm



#### Features

Stainless steel with curved clear glass  
Remote control  
4 Speeds  
1 x 50W dichroic light  
Auto timer – switch-off after 10mins  
Aluminium grease filter  
Ducting spigot size 150mm  
Recirculation kit available

#### Performance

Max. extraction 800m<sup>3</sup>/h  
Max. noise level 59dB(A)

#### Accessories

Remote control

#### Optional extras

Recirculation kit CAP35CF

**SEE PAGE 257 FOR VENTING KITS**



# classic hoods



From bold statement pieces to discreet integrated models. Whatever you're looking for, we'll help you find it.

You'll find a near-endless choice of styles and functionality in the Classic range. Some hoods create focal points, while others tuck discretely away. But whichever model you opt

for, you can guarantee it will perform to the highest standards and keep your kitchen free from odours and grease.



### See the light

Most models in the Classic range have powerful halogen or tungsten lights, all positioned to create just the right lighting for your workspace.

### Hidden power



The concealed Storm ST851 can match a wide range of hobs, and be integrated into existing chimney systems or used to create a truly eye-catching feature. It has a very powerful 900m<sup>3</sup>/h extraction, integrated lighting and four different speed settings. An automatic timer also switches it off when you're done, so it reduces energy consumption and is less hassle.

**CGi920**

Island chimney hood

W 900mmw



**Features**

- Stainless steel with curved clear glass
- Electronic controls
- 3 Speeds
- 4 x 1.5W high intensity LED lights
- Aluminium grease filters
- Ducting spigot size 150mm
- Recirculation kit available

**Performance**

- Max. extraction 750m<sup>3</sup>/h
- Max. noise level 64dB(A)

**Optional extras**

- Recirculation kit CAP61CF
- SEE PAGE 257 FOR VENTING KITS**

**CGC610**

Wall chimney hood

W 600mm



**Features**

- Stainless steel or black with curved clear glass
- Push button controls
- 3 Speeds
- 2 x 1.5W high intensity LED lights
- Aluminium grease filter
- Ducting spigot size 150mm
- Recirculation kit available

**Performance**

- Max. extraction 550m<sup>3</sup>/h
- Max. noise level 54dB(A)

**Optional extras**

- Recirculation kit CAP61CF

**SEE PAGE 257 FOR VENTING KITS**

**Splashback option**



This unique splashback has been designed to fit perfectly with the curved canopy of our CGC610 hoods and is available in black or pewter colour options – see p178.



**Model codes**

- Stainless steel – CGC610SS (shown above)
- Black – CGC610BK

**CGC710**

Wall chimney hood

W 700mm

**Features**

Stainless steel or black with curved clear glass  
 Push button controls  
 3 Speeds  
 2 x 1.5W high intensity LED lights  
 Aluminium grease filters  
 Ducting spigot size 150mm  
 Recirculation kit available

**Performance**

Max. extraction 550m<sup>3</sup>/h  
 Max. noise level 54dB(A)

**Optional extras**

Recirculation kit CAP61CF

**SEE PAGE 257 FOR VENTING KITS**

**Splashback option**

This unique splashback has been designed to fit perfectly with the curved canopy of our CGC710 hoods and is available in black or pewter colour options – see p178.

**CGC910**

Wall chimney hood

W 900mm

**Features**

Stainless steel or black with curved clear glass  
 Push button controls  
 3 Speeds  
 2 x 1.5W high intensity LED lights  
 Aluminium grease filters  
 Ducting spigot size 150mm  
 Recirculation kit available

**Performance**

Max. extraction 550m<sup>3</sup>/h  
 Max. noise level 54dB(A)

**Optional extras**

Recirculation kit CAP61CF

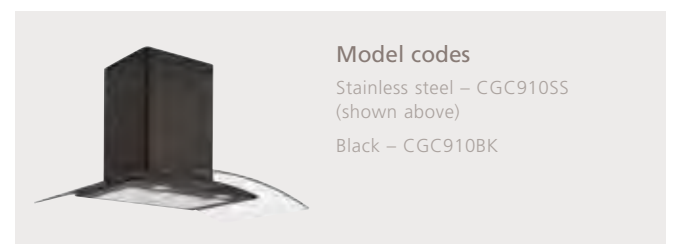
**SEE PAGE 257 FOR VENTING KITS**

**Splashback option**

This unique splashback has been designed to fit perfectly with the curved canopy of our CGC910 hoods and is available in black or pewter colour options – see p178.

**Model codes**

Stainless steel – CGC710SS  
 (shown above)  
 Black – CGC710BK

**Model codes**

Stainless steel – CGC910SS  
 (shown above)  
 Black – CGC910BK

**FGC620**

Wall chimney hood

W 600mm



**Features**

- Stainless steel or black with flat clear glass
- Push button controls
- 3 Speeds
- 2 x 1.5W high intensity LED lights
- Aluminium grease filter
- Ducting spigot size 150mm
- Recirculation kit available

**Performance**

- Max. extraction 750m<sup>3</sup>/h
- Max. noise level 64dB(A)

**Optional extras**

Recirculation kit CAP61CF

**SEE PAGE 257 FOR VENTING KITS**

**FGC720**

Wall chimney hood

W 700mm



**Features**

- Stainless steel or black with flat clear glass
- Push button controls
- 3 Speeds
- 2 x 1.5W high intensity LED lights
- Aluminium grease filter
- Ducting spigot size 150mm
- Recirculation kit available

**Performance**

- Max. extraction 750m<sup>3</sup>/h
- Max. noise level 64dB(A)

**Optional extras**

Recirculation kit CAP61CF

**SEE PAGE 257 FOR VENTING KITS**



**Model codes**  
 Stainless steel – FGC620 (shown above)  
 Black – FGC620BK



**Model codes**  
 Stainless steel – FGC720 (shown above)  
 Black – FGC720BK

**FGC920**

Wall chimney hood

W 900mm

**Features**

Stainless steel or black with  
flat clear glass

Push button controls

3 Speeds

2 x 1.5W high intensity  
LED lights

Aluminium grease filter

Ducting spigot size 150mm

Recirculation kit available

**Performance**

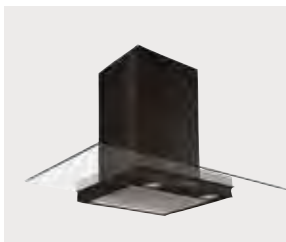
Max. extraction 750m<sup>3</sup>/h

Max. noise level 64dB(A)

**Optional extras**

Recirculation kit CAP61CF

**SEE PAGE 257 FOR  
VENTING KITS**

**Model codes**

Stainless steel – FGC920  
(shown above)

Black – FGC920BK



**BXi910**

Island chimney hood

W 900mm

**Features**

Stainless steel  
Electronic controls  
3 Speeds  
4 x 1.5W high intensity  
LED lights  
Aluminium grease filters  
Ducting spigot size 150mm  
Recirculation kit available

**Performance**

Max. extraction 750m<sup>3</sup>/h  
Max. noise level 64dB(A)

**Optional extras**

Recirculation kit CAP61CF

**SEE PAGE 257 FOR  
VENTING KITS**

**BXC610**

Wall chimney hood

W 600mm

**Features**

Stainless steel  
Push button controls  
3 Speeds  
2 x 1.5W high intensity  
LED lights  
Aluminium grease filters  
Ducting spigot size 150mm  
Recirculation kit available

**Performance**

Max. extraction 550m<sup>3</sup>/h  
Max. noise level 54dB(A)

**Optional extras**

Recirculation kit CAP61CF

**SEE PAGE 257 FOR  
VENTING KITS**

**BXC910**

Wall chimney hood

W 900mm

**Features**

Stainless steel  
Push button controls  
3 Speeds  
2 x 1.5W high intensity  
LED lights  
Aluminium grease filters  
Ducting spigot size 150mm  
Recirculation kit available

**Performance**

Max. extraction 750m<sup>3</sup>/h  
Max. noise level 64dB(A)

**Optional extras**

Recirculation kit CAP61CF

**SEE PAGE 257 FOR  
VENTING KITS**

**CCH600**

Wall chimney hood

W 600mm



**Features**

- Stainless steel or black
- Push button controls
- 3 Speeds
- 2 x 28W eco halogen lights
- Aluminium grease filters
- Ducting spigot size 150mm
- Recirculation kit available

**Performance**

- Max. extraction 350m<sup>3</sup>/h
- Max. noise level 58dB(A)

**Optional extras**

Recirculation kit CAP60CF

**SEE PAGE 257 FOR VENTING KITS**

**CCH700**

Wall chimney hood

W 700mm



**Features**

- Stainless steel
- Push button controls
- 3 Speeds
- 2 x 28W eco halogen lights
- Aluminium grease filters
- Ducting spigot size 150mm
- Recirculation kit available

**Performance**

- Max. extraction 350m<sup>3</sup>/h
- Max. noise level 58dB(A)

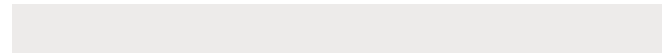
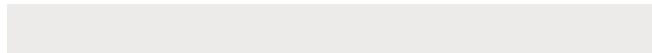
**Optional extras**

Recirculation kit CAP60CF

**SEE PAGE 257 FOR VENTING KITS**



**Model codes**  
 Stainless steel – CCH600SS  
 (shown above)  
 Black – CCH600BK



**CCH900**

Wall chimney hood

W 900mm

**Features**

Stainless steel or black  
 Push button controls  
 3 Speeds  
 2 x 28W eco halogen lights  
 Aluminium grease filters  
 Ducting spigot size 150mm  
 Recirculation kit available

**Performance**

Max. extraction 350m<sup>3</sup>/h  
 Max. noise level 58dB(A)

**Optional extras**

Recirculation kit CAP60CF

**SEE PAGE 257 FOR  
 VENTING KITS**

**CCH100**

Wall chimney hood

W 1000mm

**Features**

Stainless steel  
 Push button controls  
 3 Speeds  
 2 x 28W eco halogen lights  
 Aluminium grease filters  
 Ducting spigot size 150mm  
 Recirculation kit available

**Performance**

Max. extraction 350m<sup>3</sup>/h  
 Max. noise level 58dB(A)

**Optional extras**

Recirculation kit CAP60CF

**SEE PAGE 257 FOR  
 VENTING KITS**

**Model codes**

Stainless steel – CCH900SS  
 (shown above)  
 Black – CCH900BK

**2MINCH8**

Integrated hood

W 600mm

**Features**

Two motors  
 Silver grey  
 Slider controls  
 3 Speeds  
 2 x 25W halogen lights  
 Aluminium grease filters  
 Ducting spigot size 120mm  
 Recirculation kit available

**Performance**

Max. extraction 330m<sup>3</sup>/h  
 Max. noise level 54dB(A)

**Optional extras**

Recirculation kit CAP34CF

**SEE PAGE 257 FOR  
 VENTING KITS**

**1MINCH8**

Integrated hood

W 600mm

**Features**

One motor  
 Silver grey  
 Slider controls  
 3 Speeds  
 1 x 25W halogen light  
 Acrylic grease filter  
 Ducting spigot size 120mm  
 Recirculation kit available

**Performance**

Max. extraction 210m<sup>3</sup>/h  
 Max. noise level 52dB(A)

**Optional extras**

Recirculation kit CAP20CF

**SEE PAGE 257 FOR  
 VENTING KITS**

**TSCH600**

Built-under telescopic hood

W 600mm

**Features**

Stainless steel fascia / silver  
grey body  
Dual switch controls  
2 Speeds  
2 x 28W eco halogen lights  
Aluminium grease filter  
Ducting spigot size 150mm  
Recirculation kit available

**Performance**

Max. extraction 350m<sup>3</sup>/h  
Max. noise level 58dB(A)

**Optional extras**

Recirculation kit CAP60CF

**SEE PAGE 257 FOR  
VENTING KITS**

**BU520**

Built-under hood

W 520mm

**Features**

Stainless steel  
Push button controls  
3 Speeds  
Auto timer  
2 x 20W halogen lights  
Aluminium grease filter  
Ducting spigot size 150mm  
Recirculation kit available

**Performance**

Max. extraction 650m<sup>3</sup>/h  
Max. noise level 61dB(A)

**Optional extras**

Recirculation kit CAP66CF

**SEE PAGE 257 FOR  
VENTING KITS**



**Storm ST521**

Built-under hood

W 520mm

**Features**

Stainless steel  
 Push button controls  
 4 Speeds  
 Auto timer  
 6W LED strip light  
 Stainless steel grease filter  
 Ducting spigot size 150mm  
 Recirculation kit available

**Performance**

Max. extraction 900m<sup>3</sup>/h  
 Max. noise level 58dB(A)

**Optional extras**

Recirculation kit CAP65CF

**SEE PAGE 257 FOR  
 VENTING KITS**

**Storm ST851**

Built-under hood

W 850mm

**Features**

Stainless steel  
 Push button controls  
 4 Speeds  
 Auto timer  
 6W LED strip light  
 Stainless steel grease filter  
 Ducting spigot size 150mm  
 Recirculation kit available

**Performance**

Max. extraction 900m<sup>3</sup>/h  
 Max. noise level 58dB(A)

**Optional extras**

Recirculation kit CAP65CF  
 (2 required)

**SEE PAGE 257 FOR  
 VENTING KITS**

**2MBUCH2**

Built-under hood

W 528mm

**Features**

Two motors  
Stainless steel  
Slider controls  
3 Speeds  
2 x 25W halogen lights  
Aluminium grease filters  
Ducting spigot size 120mm  
Recirculation kit available

**Performance**

Max. extraction 360m<sup>3</sup>/h  
Max. noise level 54dB(A)

**Optional extras**

Recirculation kit CAP34CF

**SEE PAGE 257 FOR  
VENTING KITS**

**FSCHSS7**

Conventional hood

W 600mm

**Features**

Stainless steel  
Push button controls  
3 Speeds  
1 x 28W eco halogen light  
Aluminium grease filters  
Ducting spigot size 120mm  
Recirculation kit available

**Performance**

Max. extraction 220m<sup>3</sup>/h  
Max. noise level 58dB(A)

**Optional extras**

Recirculation kit CAP62CF

**SEE PAGE 257 FOR  
VENTING KITS**

# splashesbacks

Not only are Caple's splashbacks designed to catch all those spits and splashes, they're also beautifully designed and finished. It's the icing on the cake.



clearly better



Caple's glass splashbacks bring clean lines and unrivalled practicality. Choose a colour and style that matches your kitchen.

Our splashbacks have reflective finishes in a range of different shades. There's even one that's designed to perfectly fit the curved canopy of our CGC stainless steel hoods range.

#### Product details

1 Ebony 600mm splashback, 2 CGC610SS hood with Pewter curved splashback



#### Safe and easy to install

Caple splashbacks are adhesive-backed. This stops them shattering and also allows fitting to any clean, non-porous surface. All our glass products meet British safety standards, and are made from toughened glass.



## Toughened coloured glass TSB

Splashbacks



### Features

Splashbacks – to fit a wall behind a hob, beneath an extractor  
 5 Colours available  
 Will not mark with fingerprints  
 Adhesive backed for quick and easy DIY installation (no unsightly fixing screws)  
 Toughened glass  
 Conforms to BS EN12150:1 British Safety Standards  
 Hygienic  
 Opaque colour finish  
 Can be applied to all flat non-porous, clean surfaces

### Dimensions

Splashback height 750mm  
 Splashback width 600mm, 900mm or 1000mm  
 Thickness 5mm

### Model codes

For chosen colour option, replace '\*\*\*' with colour code – see swatches below  
 W 600mm (code TSBG600\*\*)  
 W 900mm (code TSBG900\*\*)  
 W 1000mm (Ebony TSBG1000BK and pewter TSBG1000PT ONLY)

### Glass colour codes



BD – Bride    BK – Ebony    BI – Biscuit    PT – Pewter    WH – Arctic white

*These images are only a guide. Glass sample packs are available to order. (code TSB/SAMP)*

## Toughened curved glass TSBCURVE

Splashbacks for the CGC wall hoods



### Features

2 Colours available  
 Will not mark with fingerprints  
 Adhesive backed for quick and easy DIY installation (no unsightly fixing screws)  
 Toughened glass  
 Conforms to BS EN12150:1 British Safety Standards  
 Hygienic  
 Opaque colour finish  
 Can be applied to all flat non-porous, clean surfaces

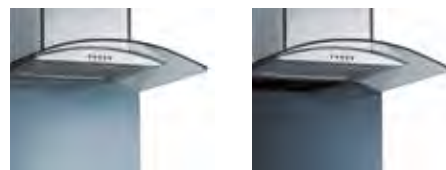
### Dimensions

Height 750mm  
 Width 600mm, 700mm or 900mm  
 Thickness 5mm

### Model codes

For chosen colour option, replace '\*\*\*' with colour code – see swatches below  
 W 600mm – fits the CGC610 hoods, see pg 162 (code TSBCURVE600\*\*)  
 W 700mm – fits the CGC710 hoods, see pg 163 (code TSBCURVE700\*\*)  
 W 900mm – fits the CGC910 hoods, see pg 163 (code TSBCURVE900\*\*)

### Glass colour codes



PT – Pewter    BK – Ebony

*These images are only a guide.*

### Curved stainless steel CSBCURVE

Splashbacks for the CGC wall hoods



#### Dimensions

Height 750mm

Width 600mm, 700mm or 900mm

Thickness 10.5mm

#### Model codes

W 600mm – fits the CGC610 hoods, see pg 162 (code CSBCURVE605)

W 700mm – fits the CGC710 hoods, see pg 163 (code CSBCURVE705)

W 900mm – fits the CGC910 hoods, see pg 163 (code CSBCURVE905)

### Stainless steel CSB

Splashbacks



#### Dimensions

Height 700mm

Width 600mm, 700mm, 900mm or 1000mm

Thickness 10.5mm

#### Model codes

Width 600mm CSB605 (shown above)

Width 700mm CSB705

Width 900mm CSB905

Width 1000mm CSB1005

# refrigeration

Whether you want a discreet space-saving under-counter fridge or something more spacious, you'll find it right here.







# choosing the right refrigeration

We've one for every kind of kitchen, big or small. Different colours, different finishes, different sizes, and plenty of functionality.



## French door

Large freestanding fridge freezers with two doors on the top for the fridge and two drawers underneath for the freezer. Great for storing large items in the fridge.



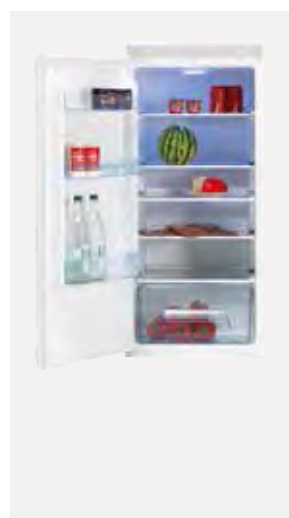
## Side-by-side

Large freestanding fridge freezers. The left hand side is the freezer and the right hand side the fridge. Some need to be plumbed in as they have ice and water dispensers.



## Freestanding

Freestanding split fridge freezers, with a freezer zone either with a door or split drawers. Make your choice.



## Integrated

Hidden behind furniture doors are fridge freezer combinations or compact under-counter and in-column products. Choose fridges and freezers in different sizes and combinations depending on the space available or where you want to put them in your kitchen



# french door fridge freezers



Convenience, additional storage and ease of use are the benefits of a French door fridge freezer compared to other types of refrigeration. Add the fact they're available in black, white or stainless steel and come complete with an 'A+' energy rating, then you've got an efficient, modern, family friendly appliance that looks great too.



#### Capacity is key

If you have a big family and like fresh fruit and veg, keeping your fridge stocked up can be difficult without shopping every day. With a french door fridge freezer, the fridge has loads of room with full width shelves and drawers. With both doors also having storage in them you're unlikely to be lacking fridge space any time soon and saving yourself those extra trips to the supermarket.



#### Keep Fresh technology

Help lengthen the storage time for your fresh foods. This ingenious internal lighting feature produces a similar spectrum to the sun allowing food to remain healthier.

The UV LED lights help to keep your food fresh for longer.

# french door fridge freezers



## Features

### Humidity control

The maximum humidity can be set as high as 80%. Helping to preserve food for longer. (1)

### Temperature controlled compartment

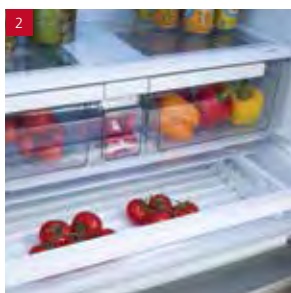
This drawer in the fridge allows the temperature to be adjusted to allow storage of different foods. It can be set as low as 0°C. (2)

### LED Touch controls

Easily control the temperature of the fridge and freezer from the touch control LED panel. (3)

### Ice maker

Dedicated twist ice trays easily produce ice, and with a turn, store below ready for use. (4)



## CAFF40

French door fridge freezer

H 1775mm

### Features

Energy class

A+

CAFF40BK Black

CAFF40SS Stainless steel

Stainless steel doors with a grey cabinet or black doors with a black cabinet

Metal curved handles

Twist ice maker (in freezer)

Electronic control with LED display

Full air-cooled Double refrigeration cycle

3-dimensional air circulation system

4 Star (2 star in door storage)

Auto defrost

Frost-free

Energy consumption 405 kwh/y

Freezing capacity 10kg/24hrs

Max. noise level 45 dB

100% CFC / HFC free

Enhanced LED lighting

### Storage

4 Spill-capture adjustable glass shelves

1 mini drawer

1 temperature controlled compartment

2 Vegetable crispers

2 Freezer drawers

8 Door storage racks

### Capacity

19.1 Cu ft/542 Litre total net capacity

20.1 Cu ft/570 Litre gross total capacity

422 Litre fridge net capacity

120 Litre freezer net capacity

### Dimensions

Width 911mm

Depth inc door - excluding handle 728.5mm

Depth inc door and handle 788.5mm

Height 1775mm

## side-by-side fridge freezers





A big family or big on entertaining at home? Either way a side-by-side fridge freezer is ideal. They're available with or without ice and water, in either black, white or stainless steel and come complete with an 'A+' energy rating.



#### With or without ice and water

Like ice with your drinks? then choose between either crushed or cubed. Like chilled, filtered water? it's available at the touch of a button on all CAFF205 side-by-side fridge freezers.

If you'd prefer the extra space in the freezer or can't have a fridge freezer plumbed directly in to your kitchen's water supply choose the CAFF23 side-by-side fridge freezer.

Either of the models is a stylish and practical addition to any kitchen. If you have the space then the choice is yours.



# side-by-side fridge freezers



## Features

### Ice and water

Fully automatic in-door ice and water dispenser. With the option of cubed or crushed ice at the touch of a button. (1)



### Water Filter

The water filter allows fresh great tasting water to be supplied at the touch of a button. It improves the taste and odour by reducing chlorine, heavy metals and other sediments found in your water supply. It is located at the rear of the fridge compartment to allow easy access and it is quick to change with its simple twist fit installation. (2)



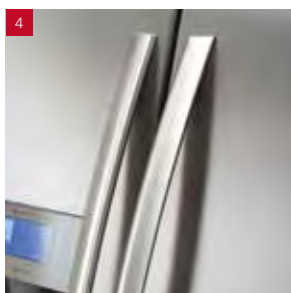
### LED touch controls

Easily control the temperature of the fridge and freezer from the touch control LED panel. (3)



### Handles

Open the doors with the beautifully crafted metal handles. (4)



## CAFF205

Side-by-side fridge freezer

H 1760mm

### Features

Energy class

A+

CAFF205BK Black

CAFF205SS Stainless steel

CAFF205WH White

Stainless steel doors with a grey cabinet, black doors with a black cabinet or white doors with a white cabinet

Metal curved handles

In door ice and water dispenser

Cubed and crushed ice

Electronic control with LED

4 Star (2 star in door storage)

Auto defrost

Frost-free

Super freeze and super cool functions

Energy consumption 427 kwh/y

Freezing capacity 10kg/24hrs

Max. noise level 47 dB

High temperature alarm

Holiday mode

Multi-air flow design

Child lock

100% CFC / HFC free

Enhanced LED lighting

### Storage

5 Spill-capture adjustable glass shelves

2 Freezer drawers

2 Crispers

8 Door storage racks

1 Dairy compartment

### Capacity

18.2 Cu ft/515 Litre total net capacity

19.2 Cu ft/545 Litre gross total capacity

12.01 Cu ft/340 Litre fridge net capacity

6.18 Cu ft/175 Litre freezer net capacity

### Dimensions

Width 902mm

Depth inc door - excluding handle 690mm

Depth inc door and handle 750mm

Height 1760mm

# side-by-side fridge freezer



## Features

### LED touch controls

Easily control the temperature of the fridge and freezer from the touch control LED panel. (1)



### Handles

Open the doors with the beautifully crafted curved metal handles. (2)



### Internal LED lighting

Bold, well positioned LED lighting illuminates the interior of the fridge for excellent visibility. (3)



## CAFF23

Side-by-side fridge freezer

H 1751mm

### Features

Energy class

A+

Stainless steel doors with a grey cabinet

Metal curved handles

Electronic control with LED display

4 Star freezer (2 star in door storage)

Auto defrost

Frost-free

Super freeze and super cool functions

Energy consumption 493 kwh/y

Freezing capacity 15kg/24 hrs

Noise level 45dB

Open door alarm

High temperature alarm

Multi air flow system

Child lock

100% CFC / HFC free

Internal LED lights

### Storage

6 Glass shelves

10 Door trays

2 Freezer drawers

2 Vegetable crispers

### Capacity

20.55 Cu ft/582 Litre total net capacity

22.25 Cu ft/630 Litre gross total capacity

13.21 Cu ft/374 Litre fridge net capacity

7.35 Cu ft/208 Litre freezer net capacity

### Dimensions

Width 922mm

Depth inc door - excluding handle 700mm

Depth 751mm inc door and handle

Height 1751mm



## double delight

Together or apart, both freestanding appliances look stunning. Minimal yet striking with performance to match.

A separate fridge and a separate freezer both with 'A++' energy ratings. Both have stainless steel clad doors and handles to add timeless style to super efficiency. If stainless steel is not for you both appliances are also available in white.

Pairing the RFL71SS with the RFZ71SS or the RFL70WH with the RFZ70WH gives you plenty of storage space if you have a large family, or prefer the flexibility of a separate fridge and separate freezer but the convenience of a side-by-side appliance.





# freestanding fridge



## RFL70WH / RFL71SS

Freestanding fridge

H 1855mm

### General features

Energy class **A++**

RFL71SS stainless steel

RFL70WH white

Stainless steel door with a grey cabinet or white door with a white cabinet

Stainless steel or white handle

Electronic control with LED display

100% CFC / HFC free

Matches RFZ71SS or RFZ70WH freezer - can be joined with extra jointing strip

Auto defrost

Frost free

Energy consumption 113 kwh/y

High humidity

LED Interior light

Reversible door

Noise level 43dB

### Storage

7 Plastic door storage compartments

5 Adjustable glass shelves

1 Glass crisper cover shelf

2 Crisper drawers

### Capacity

12.4 Cu ft/350 Litre total net capacity

12.5 Cu ft/355 Litre gross total capacity

### Dimensions

Width 595mm

Depth inc door - excluding handle 635mm

Depth inc door handle 685mm

Height 1855mm



# freestanding freezer



## RFZ70WH / RFL71SS

Freestanding freezer

H 1855mm

### General features

Energy class

A++

RFL71SS stainless steel  
 RFL70WH white  
 Stainless steel door with a grey cabinet or white door with a white cabinet  
 Stainless steel or white handle  
 Electronic control with LED display  
 100% CFC / HFC free  
 Matches RFL71SS or RFL70WH larder - can be joined with extra jointing strip  
 4 Star  
 Frost free  
 Energy consumption 247 kwh/y  
 Twist ice cube maker  
 Super freeze function  
 Multi air flow design  
 Auto defrost  
 Reversible door  
 Noise level 45dB

### Storage

Transparent drawers and compartments  
 5 large capacity drawers  
 2 Plastic door storage compartments

### Capacity

9.18 Cu ft/260 Litre total net capacity  
 9.22 Cu ft/261 Litre gross total capacity  
 Freezing capacity 16kg / 24hrs

### Dimensions

Width 595mm  
 Depth inc door - excluding handle 645mm  
 Depth inc door handle 695mm  
 Height 1855mm



# freestanding fridge freezer



Compromise on space not style



Love French door fridge freezers but don't have quite enough space to fit one into your kitchen? The RFF60 is only 625mm wide and has the same stylish pull out freezer drawers as a French door fridge freezer.

Smaller in size it may be but it certainly has all the style of it's bigger French door cousins.



## Features

### LED controls

Easily control the temperature of the fridge and freezer from the touch control LED panel. (1)



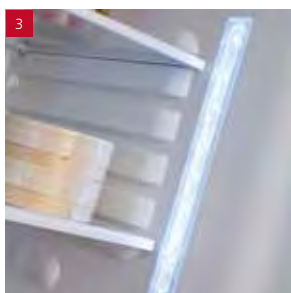
### Wave lighting

A feature with one aim - to help lengthen the storage of fresh foods. Internal lighting produces a similar spectrum to that of the sun allowing food to continue to photosynthesise. (2)



### Enhanced LED lighting

Bold, well positioned LED lighting illuminates the interior of the fridge for excellent visibility. (3)



### Temperature controlled compartment

This drawer in the fridge allows the temperature to be adjusted to allow storage of different foods. It can be set between -2°C and 3°C. (4)



## RFF60

Freestanding fridge freezer

H 1913mm

### Features

Energy class

A+

Stainless steel door and drawers with a grey cabinet  
Side recessed handles  
Electronic control with LED display  
Separate chiller compartment  
Special air cycling design  
Auto defrost  
Frost-free  
Energy consumption 318 kwh/y  
Freezing capacity 12kg/24hrs  
Max. noise level 45 dB  
100% CFC / HFC free  
Enhanced LED lighting  
Wave light  
Temperature alarm  
Door open alarm  
Child lock  
Super freeze  
Super cool

### Storage

2 Spill-capture adjustable glass shelves  
1 Vegetable crisper  
1 Temperature controlled compartment  
2 Freezer drawers  
4 Door storage racks

### Capacity

11.0 Cu ft/312 Litre total net capacity  
11.4 Cu ft/323 Litre gross total capacity  
235 Litre fridge net capacity  
77 Litre freezer net capacity

### Dimensions

Width 625mm  
Depth inc door - excluding handle 651mm  
Depth inc door and handle 706.5mm  
Height 1913mm

# freestanding fridge freezer



## Short on space?

If you don't quite have the space to entertain a side-by-side fridge freezer, but still want a freestanding model, this fridge freezer is the obvious choice. Offering a choice of finishes, an 'A+' energy rating and plenty of storage space, style and functionality go hand in hand. The doors are also reversible, so you can fit them to suit the space available.



### Model codes

Silver with stainless steel effect – RFF553 (shown left)

White – RFF552

## Features

### Silver stainless steel effect

A modern silver finish with a coarsely brushed stainless steel effect ensures this fridge freezer suits both stainless steel and black appliances. (1)



### Glass fridge shelves

Toughened glass shelves are ideal for storing a range of food and feature a clever spill proof design. (2)



### Plastic freezer drawers

Large plastic freezer drawers enable you to compartmentalise your frozen food for convenient storage. (3)



### Bright interior lighting

Bold, well positioned lighting illuminates the interior of the fridge for excellent visibility. (4)



## RFF552 / RFF553

Freestanding fridge freezer

H 1655mm

### Features

Energy class

A+

Noise level 42dB(A)

4 star

Mechanical temperature control

Auto defrost (fridge)

Manual defrost (freezer)

100% CFC / HFC free

Energy consumption 241kWh/y

Reversible doors

Interior light

### Storage

2 Spill-proof toughened glass shelves

2 Crisper drawers with glass covers

2 Full width door balconies

3 Half width door balconies

4 Freezer drawers

### Capacity

8.1 Cu ft/229 Litre total net capacity

8.4 Cu ft/239 Litre total gross capacity

5.0 Cu ft/141 Litre fridge net capacity

3.1 Cu ft/88 Litre freezer net capacity

### Dimensions

Width 550mm

Depth 580mm with door

Height 1655mm





# integrated refrigeration

Integrated fridges and freezers are understated, inconspicuous and so easy to use.

Choose from tall column fridge-freezer combinations, or compact under-counter models. Or perhaps an entirely separate fridge and freezer located in different spots around the kitchen. There are also tall all-in-one models that fit neatly into a single space.

Whatever you go for, it's also reassuring to know that all of Caple's integrated refrigeration appliances have an 'A+' energy rating.



## Frost-free

No more laborious defrosting with a scraper. Frost-free works by heating up an element for a short time, which melts the ice and prevents build-up. Keeping a freezer ice-free means food stays fresher for longer, and it also makes food freeze quicker too – so more nutrients are locked-in. Plus it frees up valuable storage space.

## Super Freeze

Some models have Super Freezing which speeds up freezing time and optimises performance.

## Features



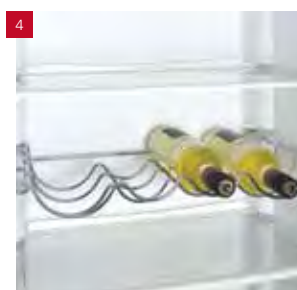
**1** Glass shelves  
With plastic trims to catch any spills. (1)

**2** Fresh colours  
Blue transparent drawers and trays add a fresh, contemporary feel. (2)

**3** LED lighting  
Cool blue lighting adds a fresh, modern feel. (3)



**4** Wine rack option  
Add a chrome wine rack that slots in like a shelf and holds 4 750ml bottles. (4)



# 50/50 fridge freezer



## Ri556

50/50 Fridge freezer

H 1773mm

### General features

Energy class

A+

Noise level 39dB(A)  
Mechanically controlled  
100% CFC / HFC free  
Energy consumption  
281kWh/y  
Reversible doors  
Sliding door installation

### Fridge features

Auto defrost  
Adjustable thermostat  
LED Interior light

### Freezer features

Manual defrost  
4 Star  
4.5kg/24hrs freezing capacity

### Storage

Transparent blue plastic  
drawers and compartments  
3 Adjustable glass shelves  
1 Glass crisper cover shelf  
2 Crisper drawers  
4 Plastic door storage  
compartments  
1 Egg tray  
4 Freezer drawers  
1 Ice cube tray

### Capacity

244 Litre total net capacity  
256 Litre total gross capacity  
154 Litre fridge net capacity  
90 Litre freezer net capacity

### Optional extras



Chrome wine rack that  
holds 4 750ml wine bottles  
CAPWINERK/CH



# frost-free 50/50 fridge freezer



## Ri557

50/50 Fridge freezer – Frost-free

H 1773mm

### General features

Energy class **A+**

Noise level 39dB(A)  
Mechanically controlled  
100% CFC / HFC free  
Energy consumption  
299kWh/y  
Reversible doors  
Sliding door installation

### Fridge features

Auto defrost  
Adjustable thermostat  
LED Interior light

### Freezer features

Frost free  
4 Star  
4.5kg/24hrs freezing capacity

### Storage

Transparent blue plastic  
drawers and compartments  
3 Adjustable glass shelves  
1 Glass crisper cover shelf  
2 Crisper drawers  
4 Plastic door storage  
compartments  
1 Egg tray  
4 Freezer drawers  
1 Ice cube tray

### Capacity

232 Litre total net capacity  
241 Litre total gross capacity  
154 Litre fridge net capacity  
78 Litre freezer net capacity

### Optional extras



Chrome wine rack that  
holds 4 750ml wine bottles  
CAPWINERK/CH





# 70/30 fridge freezer



## Ri735

70/30 fridge freezer

H 1773mm

### General features

Energy class

A+

Noise level 39dB(A)  
Mechanically controlled  
100% CFC / HFC free  
Energy consumption  
286kWh/y  
Reversible doors  
Sliding door installation

### Fridge features

Auto defrost  
Adjustable thermostat  
LED Interior light

### Freezer features

Manual defrost  
4 Star  
3.5kg/24hrs freezing capacity

### Storage

Transparent blue plastic  
drawers and compartments  
4 Adjustable glass shelves  
1 Glass crisper cover shelf  
2 Crisper drawers  
5 Plastic door storage  
compartments  
1 Egg tray  
3 Freezer drawers  
1 Ice cube tray

### Capacity

260 Litre total net capacity  
272 Litre total gross capacity  
190 Litre fridge net capacity  
70 Litre freezer net capacity

### Optional extras



Chrome wine rack that  
holds 4 750ml wine bottles  
CAPWINERK/CH



# frost free 70/30 fridge freezer



## Ri736

70/30 Fridge freezer – Frost-free

H 1773mm

### General features

Energy class **A+**

Noise level 39dB(A)  
Mechanically controlled  
100% CFC / HFC free  
Energy consumption  
281kWh/y  
Reversible doors  
Sliding door installation

### Fridge features

Auto defrost  
Adjustable thermostat  
LED Interior light

### Freezer features

Frost free  
4 Star  
3kg/24hrs freezing capacity

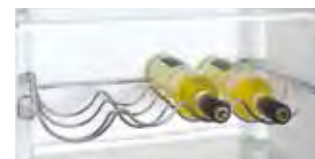
### Storage

Transparent blue plastic  
drawers and compartments  
4 Adjustable glass shelves  
1 Glass crisper cover shelf  
2 Crisper drawers  
5 Plastic door storage  
compartments  
1 Egg tray  
3 Freezer drawers  
1 Ice cube tray

### Capacity

246 Litre total net capacity  
251 Litre total gross capacity  
190 Litre fridge net capacity  
56 Litre freezer net capacity

### Optional extras



Chrome wine rack that  
holds 4 750ml wine bottles  
CAPWINERK/CH



# 177cm in-column larder fridge



## RiL178

In-column larder fridge

H 1773mm

### General features

Energy class

A+

Noise level 39dB(A)  
Mechanically controlled  
100% CFC / HFC free  
Energy consumption  
142kWh/y  
Reversible door  
Sliding door installation  
Matches RIF178 freezer

### Features

Auto defrost  
Adjustable thermostat  
LED Interior light

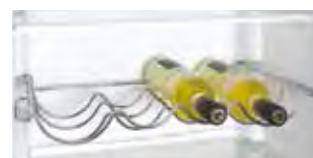
### Storage

Transparent blue plastic  
drawers and compartments  
7 Removable glass shelves  
1 Glass crisper cover shelf  
2 Crisper drawers  
5 Plastic door storage  
compartments  
1 Egg tray

### Capacity

316 Litre total net capacity  
319 Litre total gross capacity

### Optional extras



Chrome wine rack that  
holds 4 750ml wine bottles  
CAPWINERK/CH

# 177cm in-column freezer



## RiF178

In-column freezer

H 1773mm

### General features

Energy class

A+

Noise level 39dB(A)  
 Mechanically controlled  
 100% CFC / HFC free  
 Temperature alarm  
 Energy consumption  
 277kWh/y  
 Reversible door  
 Sliding door installation  
 Matches RIL178 larder fridge

### Freezer features

4 Star  
 10.5kg/24hrs freezing capacity  
 Super freeze function  
 Manual defrost  
 Adjustable thermostat

### Storage

9 transparent blue plastic  
 freezer drawers  
 1 Ice cube tray

### Capacity

217 Litre total net capacity  
 228 Litre total gross capacity

# 177cm in-column fridge with ice box



## RiR178

In-column larder fridge with ice box

H 1773mm

### General features

Energy class **A+**

Noise level 39dB(A)  
Mechanically controlled  
100% CFC / HFC free  
Energy consumption  
289kWh/y  
Reversible door  
Sliding door installation  
Matches RIF178 freezer

### Fridge Features

Auto defrost  
Adjustable thermostat  
Interior light

### Freezer features

4 Star  
2kg/24hrs freezing capacity  
Manual defrost

### Storage

Transparent blue plastic  
drawers and compartments  
4 Removable glass shelves  
1 Glass crisper cover shelf  
2 Crisper drawers  
5 Plastic door storage  
compartments  
1 Egg tray  
1 Ice cube tray

### Capacity

302 Litre total net capacity  
304 Litre total gross capacity  
265 Litre fridge net capacity  
37 Litre freezer net capacity

### Optional extras



Chrome wine rack that  
holds 4 750ml wine bottles  
CAPWINERK/CH





# 122cm in-column larder fridge



## RiL123

In-column larder fridge

H 1220mm

### General features

Energy class

A+

Noise level 39dB(A)  
 Mechanically controlled  
 Energy consumption  
 128kWh/y  
 Reversible door  
 Sliding door installation  
 Matches RIF123 freezer

### Features

Auto defrost  
 Adjustable thermostat  
 LED Interior light

### Storage

Transparent blue plastic  
 drawer and compartments  
 4 Removable glass shelves  
 1 Glass crisper cover shelf  
 1 Crisper drawer  
 3 Plastic door storage  
 compartments  
 1 Egg tray

### Capacity

206 Litre total net capacity  
 208 Litre total gross capacity

### Optional extras



Chrome wine rack that  
 holds 4 750ml wine bottles  
 CAPWINERK/CH

# 122cm in-column freezer



## RiF123

In-column freezer

H 1220mm

### General features

Energy class **A+**

Noise level 39dB(A)  
 Mechanically controlled  
 100% CFC / HFC free  
 Temperature alarm  
 Energy consumption  
 223kWh/y  
 Reversible door  
 Sliding door installation  
 Matches RIL123 larder fridge

### Freezer features

4 Star  
 6.5kg/24hrs freezing capacity  
 Super freeze function  
 Manual defrost  
 Adjustable thermostat

### Storage

5 transparent blue plastic  
 freezer drawers  
 1 Ice cube tray

### Capacity

143 Litre total net capacity  
 145 Litre total gross capacity



# 88cm in-column larder fridge



## RiL89

In-column larder fridge

H 880mm

### General features

Energy class

A+

Noise level 39dB(A)  
Mechanically controlled  
Energy consumption  
120kWh/y  
Reversible door  
Sliding door installation  
Matches RIF89 freezer

### Fridge features

Auto defrost  
Adjustable thermostat  
Interior light

### Storage

Transparent blue plastic  
drawer and compartments  
3 Removable glass shelves  
1 Glass crisper cover shelf  
1 Crisper drawer  
3 Plastic door storage  
compartments  
1 Egg tray

### Capacity

142 Litre total net capacity  
144 Litre total gross capacity

### Optional extras



Chrome wine rack that  
holds 4 750ml wine bottles  
CAPWINERK/CH



# 88cm in-column freezer



## RiF89

In-column freezer

H 880mm

### General features

Energy class

A+

Noise level 39dB(A)  
 Mechanically controlled  
 100% CFC / HFC free  
 Energy consumption  
 190kWh/y  
 Reversible door  
 Sliding door installation  
 Matches RIL89 larder fridge

### Freezer features

4 Star  
 4.5kg/24hrs freezing capacity  
 Super freeze function  
 Manual defrost  
 Adjustable thermostat

### Storage

4 transparent blue plastic  
 freezer drawers  
 1 Ice cube tray

### Capacity

85 Litre total net capacity  
 93 Litre total gross capacity



**RBL3**

Built-under larder fridge



**General features**

Energy class **A+**

- Noise level 39dB(A)
- Mechanically controlled
- 100% CFC / HFC free
- Energy consumption 124kWh/y
- Reversible door
- Fixed door installation
- Matches RBF3 freezer

**Fridge features**

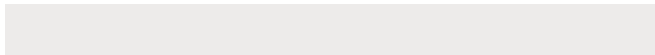
- Auto defrost
- Adjustable thermostat
- Interior light

**Storage**

- Transparent blue plastic drawers and compartments
- 2 Adjustable glass shelves
- 1 Glass crisper cover shelf
- 2 Crisper drawers
- 2 Plastic door storage compartments
- 1 Egg tray

**Capacity**

- 140 Litre total net capacity
- 142 Litre total gross capacity



**RBR5**

Built-under larder fridge with ice box



**General features**

Energy class **A+**

- Noise level 39dB(A)
- Mechanically controlled
- 100% CFC / HFC free
- Energy consumption 185kWh/y
- Reversible door
- Fixed door installation
- Matches RBF3 freezer

**Fridge features**

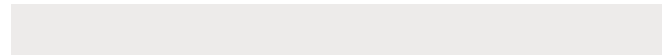
- Auto defrost
- Adjustable thermostat
- Interior light

**Icebox features**

- 4 Star
- 2kg/24hrs freezing capacity
- Manual defrost

**Storage**

- Transparent blue plastic drawers and compartments
- 1 Glass shelf
- 2 Crisper drawers
- 2 Plastic door storage compartments
- 1 Egg tray
- 1 Ice cube tray



**RBF3**

Built-under freezer

**General features**

Energy class

A+

Noise level 39dB(A)  
 Electronically controlled  
 100% CFC / HFC free  
 Temperature alarm  
 Energy consumption 183kWh/y  
 Reversible door  
 Fixed door installation  
 Matches RBL3 larder fridge

**Freezer features**

4 Star  
 4.5kg/24hrs freezing capacity  
 Super freeze function  
 Manual defrost  
 Adjustable thermostat

**Storage**

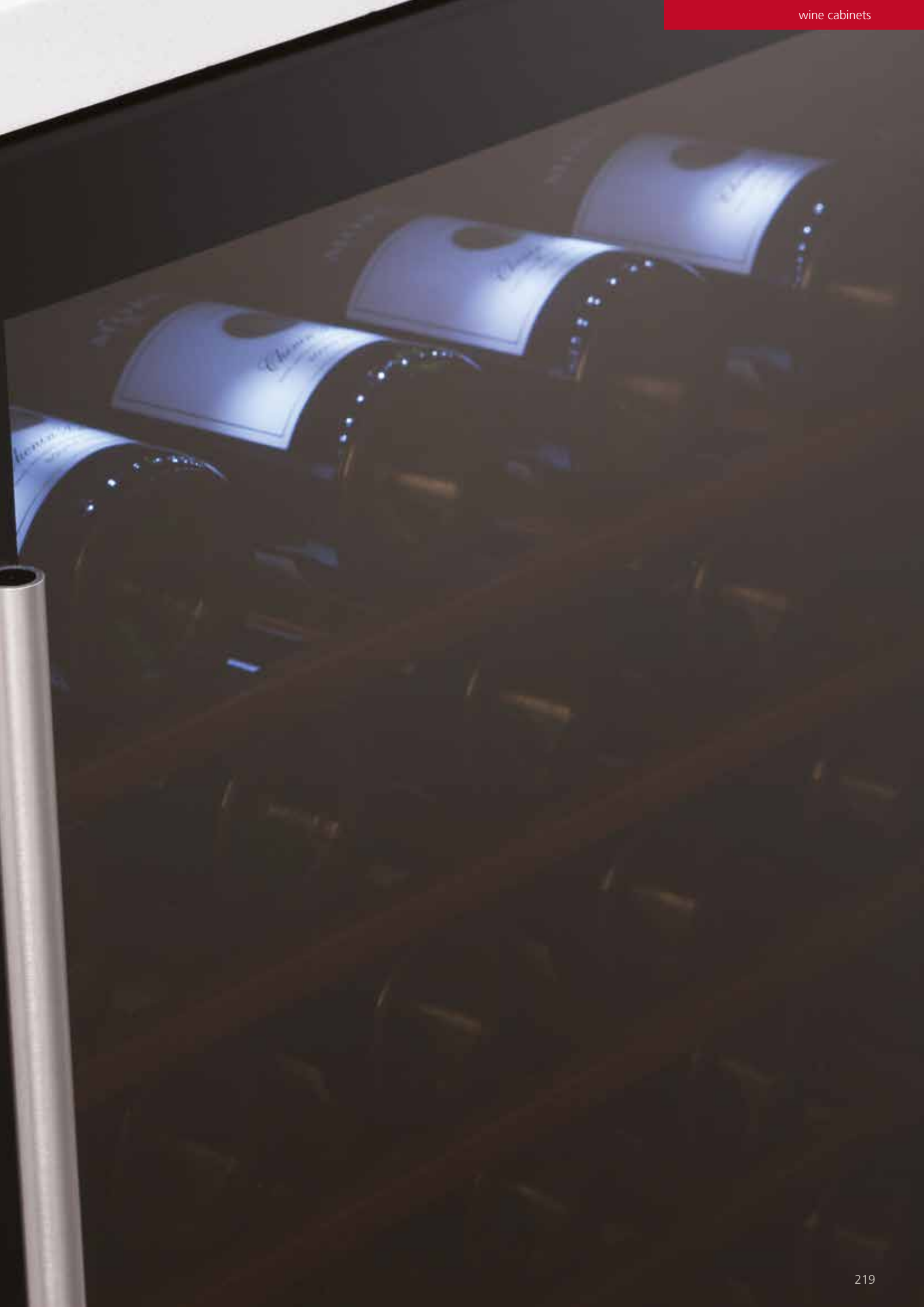
3 transparent blue plastic  
 freezer drawers  
 1 Ice cube tray

**Capacity**

100 Litre total net capacity  
 102 Litre total gross capacity

## wine cabinets

Caple's wine cabinets create the optimum storage conditions for your wine. The correct temperature, correct humidity and the right air circulation. They even use low vibration technology to minimise disturbance. And of course, the look great, after all taste is everything.





# perfection by the glass

If you've invested a lot of time and money in your wine, you'll also want the perfect place to store it too. As all wines react to their environment a Caple wine cabinet is a must-have for anyone who wants to enjoy the full aroma and flavour of a good bottle of wine.

## Total control

To get the most from wine, you need to store it at the correct temperature. It actually differs for each wine. Rosés and whites should be served at 8°-14°C, sparkling wines at 6°-10°C. With reds, it's all about body. Full reds need 16°-18°C, whereas lighter reds are best at 13°-16°C. Fluctuations in temperature disturb the organic components of the wine, causing the cork to shrink or swell and air to get into the bottle. Some of our wine cabinets have multiple temperature zones to keep each wine at its optimum storage and serving temperature.

## Finer wine

Vibration and humidity during storage will both influence how your wine will taste when it's finally poured. That's why Caple's wine cabinets come with anti-vibration gaskets and low vibration compressors to prevent disturbance to the wine's sediment balance. Our cabinets also create an ideal atmosphere of above 65% humidity, to preserve cork quality and prevent mould and odours. You can be confident your wine is in good hands.



## Compressor cooling

When choosing a wine cabinet it's really important to consider the type of cooling system it uses. Many conventional cabinets use thermo electric technology, which is only capable of cooling to 15°C below the room's ambient temperature. So on a warm day of 25°C the contents will only cool to a minimum of 10°C, leaving your wine exposed to potentially damaging temperatures. Caple's wine cabinets use a compressor cooling system which maintains precisely the right temperature, regardless of the ambient room temperature. We've even compacted this state-of-the-art technology to fit in our slender 15cm wide model.



## Well balanced

We know how important a fine wine collection is, which is why our wine cabinets are specifically designed to keep it in perfect condition.



## White LED lighting

Ultraviolet light causes lightstrike, which causes wine to age prematurely. So it's important to avoid exposing bottles to sunlight or fluorescent light. Our white LED not only looks great, but it's also UV-free and there's no heat output either.

## Bottle stacking

Bottles should always be stored on their side so the wine stays in contact with the cork. This keeps the cork moist and ensures a good air seal for the bottle, which prevents oxidation and immediate ageing. Wine benefits best from side storage if the level of the wine reaches at least the upper shoulder of the bottle when upright. Caple's wine cabinets provide sufficient shelves to allow for bottles to be stored either on a single level for easy reach, or stacked for longer storage.

# that's entertainment

The kitchen is the heart of the home and often a good party. So choose a wine cabinet that's stylish, versatile and designed for the serious entertainer.

Caple's wine cabinets are designed to cater for every kind of occasion, big or small. They're packed with functionality and there's no better way of having perfectly chilled drinks to hand whenever you want them.

Our Sense cabinets can also be converted with an optional frosted glass shelf, letting you adapt your cabinet into a full or part can chiller that stores beer, soda and other drinks at a perfect 3°C.



## Mix it up

If you're not into fine wine, then you can put our wine cabinets to equally good use to chill beers, ciders and pre-mixed drinks – which will also help free-up space in your fridge during a party. Caple's wine cabinets are easily convertible into a can chiller as well, for kids' birthday parties. So now you can grab a nice cold refreshment whenever you like.





# sense wine cabinets

Stylish on the outside, intelligent on the inside. Our Sense range of wine cabinets have everything you need for the party season.

## Smooth black glass

The stylish black glass and stainless steel blends seamlessly in with your kitchen. The glass is also UV-proof to keep your wine or other drinks safe from sunlight.

Caple's engineers have designed our Sense wine cabinets to function incredibly quietly, from just 41dB(A) – or about the same as an average fridge. So there's no chance of them ruining the party atmosphere.

The freestanding WF1547 can hold an amazing 132 bottles and has 3 separate temperature zones.

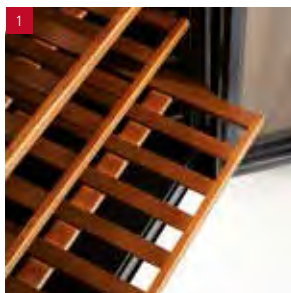




## Features

### Dark wooden shelves

The easy-slide dark wooden shelves are non-scratch and won't damage bottle labels. Their slatted design secures bottles in position and lets you overlap bottles for maximum capacity. (1) Included with all Sense models, except Wi154.



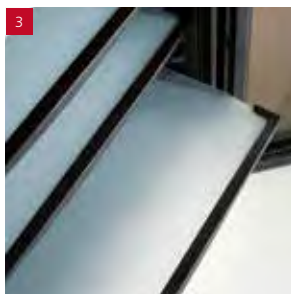
### A cool 3°C

Selected Sense wine cabinets offer a broad temperature range of 3-18°C. That allows for wine to be stored at between 5-18°C, with around 3-4°C for chilling cans. (2)



### Glass shelves

You can convert some cabinets into a full or part can chiller, using our pack of three frosted glass shelves. So now you can offer guests all kinds of drink options, and all at just the right temperature. (3)



### Kitchen plinth

Stylish, stainless steel, plinth grilles can be used with any Sense undercounter wine cabinets. They neatly cover the ventilation hole in the plinth and blend in with your kitchen décor. Supplied with all models except Wi154 & WF1547. (4)



## Sense Wi154

Undercounter single zone wine cabinet

W 145mm



### Features

Energy class **B**

- Black glass door with gloss black door frame
- Single temperature zone for red or white wine
- No frost compressor cooling system
- 100% CFC / HFC free
- Fan circulated cool air for even temperature distribution
- Air ventilation through plinth
- Quiet operation 42dB(A)
- Electronic temperature control and LED display
- UV/heat-free white LED lighting (switchable)
- Reversible door
- Stainless steel, black-spot feature bar handle
- 6 Black wire shelves and 1 base shelf
- Toughened UV protected glass door
- Black cabinet interior and exterior
- Black ventilation grille
- Vibration free

### Performance

- Energy consumption 155kwh/y
- Temperature range 5°C-18°C
- Ambient temperature 5°C-32°C
- Humidity range >65%RH

### Capacity

- 0.67 Cu ft/19 Litre total net capacity
- 0.78 Cu ft/22 Litre total gross capacity
- Max. 7 wine bottles 750ml
- Stores max. 7 Bordeaux style wine bottles 750ml
- Not suitable for some champagne bottles



**Sense Wi3118**

Undercounter single zone wine cabinet

W 295mm



**Features**

Energy class

B

- Black glass door with gloss black (shown above) or white door frame (shown below)
- Single temperature zone for red or white wine
- No frost compressor cooling system
- 100% CFC / HFC free
- Fan circulated cool air for even temperature distribution
- Quiet operation 41dB(A)
- Electronic temperature control and LED display
- UV/heat-free white LED lighting (switchable)
- Reversible door
- 5 Sliding shelves and 1 base shelf
- Stainless steel, black-spot feature bar handle
- Dark wooden shelves
- Glass shelf pack available to convert into a full or part can chiller
- Toughened UV protected glass door
- 1 humidity control water tank
- Black cabinet interior and exterior
- Recessed for fitting furniture plinth
- Vibration free

**Features continued**

Supplied with stainless steel universal plinth grille W 525mm

**Performance**

Energy consumption 184kWh/y  
 Temperature range 3°C-18°C  
 Ambient temperature 5°C-32°C  
 Humidity range >65%RH

**Capacity**

2.12 Cu ft/60 Litre total net capacity  
 2.33 Cu ft/67 Litre total gross capacity  
 Max. 19 Bordeaux style wine bottles 750ml

**Optional extras**

3 frosted glass shelves with black plastic trim GSHELFPACK/300



Wi3118WH

**Sense Wi6117**

Undercounter single zone wine cabinet

W 595mm



**Features**

Energy class

B

- Black glass door with gloss black door frame
- Single temperature zone for red or white wine
- No frost compressor cooling system
- 100% CFC / HFC free
- Fan circulated cool air for even temperature distribution
- Quiet operation 44dB(A)
- Electronic temperature control and LED display
- UV/heat-free white LED lighting (switchable)
- Reversible door
- 5 Sliding shelves and 1 base shelf
- Stainless steel, black-spot feature bar handle
- Dark wooden shelves
- Glass shelf pack available to convert into a full or part can chiller
- Toughened UV protected glass door
- 1 humidity control water tank
- Black cabinet interior and exterior
- Recessed for fitting furniture plinth
- Vibration free
- Supplied with stainless steel universal plinth grille W 525mm

**Performance**

Energy consumption 195kWh/y  
 Temperature range 3°C-18°C  
 Ambient temperature 5°C-32°C  
 Humidity range >65%RH

**Capacity**

5.13 Cu ft/134 Litre total net capacity  
 5.79 Cu ft/164 Litre total gross capacity  
 Max. 46 Bordeaux style wine bottles 750ml

**Optional extras**

3 frosted glass shelves with black plastic trim GSHELFPACK/600

**Sense Wi6128**

Undercounter dual zone wine cabinet

W 595mm

**Features**

Energy class

B

Black glass door with gloss black (shown above) or white door frame (shown below)

Dual stacked temperature zones (1 for red and 1 for white wine), independently controlled

No frost compressor cooling system

100% CFC / HFC free

Fan circulated cool air for even temperature distribution

Heater raises internal temperature when external temperature drops

Quiet operation 43dB(A)

Electronic temperature control and LED display

UV/heat-free white LED lighting (switchable)

Reversible door

White wine zone has 2 sliding shelves

Red wine zone has 3 sliding shelves and 1 base shelf

Stainless steel, black-spot feature bar handle

Dark wooden shelves

Toughened UV protected glass

2 humidity control water tanks

Black cabinet interior and exterior

Recessed for fitting furniture plinth

Vibration free

**Features continued**

Supplied with stainless steel universal plinth grille  
W 525mm

**Performance**

Energy consumption 195kWh/y

White wine zone temperature range 5°C-10°C

Red wine zone temperature range 10°C-18°C

Ambient temperature 5°C-32°C

Humidity range >65%RH

**Capacity**

4.73 Cu ft/134 Litre total net capacity

5.79 Cu ft/164 Litre total gross capacity

Max. 16 Bordeaux style white wine bottles 750ml

Max. 30 Bordeaux style red wine bottles 750ml



Wi6128WH

**Sense Wi6227**

Undercounter dual zone wine cabinet

W 595mm

**Features**

Energy class

B

Black glass doors with gloss black door frame

Dual side-by-side temperature zones for red or white wine, independently controlled

No frost compressor cooling system

100% CFC / HFC free

Fan circulated cool air for even temperature distribution

Quiet operation 43dB(A)

Electronic temperature control and LED display

UV/heat-free white LED lighting (switchable)

5 Sliding shelves and 1 base shelf per zone

Stainless steel, black-spot feature bar handles

Dark wooden shelves

Glass shelf pack available to convert either zone into a can chiller

Toughened UV protected glass

2 humidity control water tanks

Black cabinet interior and exterior

Recessed for fitting furniture plinth

Vibration free

Supplied with stainless steel universal plinth grille  
W 525mm

**Performance**

Energy consumption 195kWh/y

Both zones temperature range 3°C-18°C

Ambient temperature 5°C-32°C

Humidity range >65%RH

**Capacity**

4.20 Cu ft/118 Litre total net capacity

4.73 Cu ft/134 Litre total gross capacity

Max. 38 Bordeaux style wine bottles 750ml (19 bottles per zone)

**Optional extras**

3 frosted glass shelves with black plastic trim  
GSHELFPACK/300

**WC6216**

In-column dual zone wine cabinet

H 885mm

**Features**

Energy class

B

Black glass door with gloss black door frame

Dual stacked temperature zones – independently controlled (upper zone white wine, lower zone red wine)

No frost compressor cooling technology maintains a consistent temperature

100% CFC / HFC free

Fan circulated cool air for even temperature distribution

PTC heater raises internal temperature when external temperature drops

Quiet operation 43dB(A)

Electronic temperature control and LCD display

UV/heat-free white LED lighting (switchable)

Reversible door

2 Humidity control water tanks

White wine zone has 3 sliding shelves

Red wine zone has 3 sliding shelves and 1 base shelf

Stainless steel, black-spot feature bar handle

Dark wooden shelves

Toughened UV protected glass door

Black cabinet interior and exterior

Vibration free

Audible door alarm when left open

**Performance**

Energy consumption 196kWh/y

White wine zone range 5°C-10°C

Red wine zone range 10°C-18°C

Ambient temperature 5°C-35°C

Humidity range >65%RH

**Capacity**

4.13 Cu ft/117.1 Litre total net capacity

4.95 Cu ft/140.1 Litre total gross capacity

Stores max. 42 Bordeaux style wine bottles 750ml (18 white bottles on upper zone, and 24 red bottles on lower zone)

**WC6112**

In-column single zone wine cabinet

H 455mm

**Features**

Energy class

B

Black glass door with gloss black door frame

Single temperature zone for red or white wine

No frost compressor cooling technology maintains a consistent temperature

100% CFC / HFC free

Fan circulated cool air for even temperature distribution

Quiet operation 43dB(A)

Electronic temperature control and LCD display

UV/heat-free white LED lighting (switchable)

Reversible door

1 humidity control water tank

3 sliding shelves and 1 base shelf

Stainless steel, black-spot feature bar handle

Dark wooden shelves

Toughened UV protected glass door

Black cabinet interior and exterior

Vibration free

Audible door alarm when left open

**Performance**

Energy consumption 187kWh/y

Temperature range 4°C-18°C

Ambient temperature 5°C-35°C

Humidity range >65%RH

**Capacity**

1.91 Cu ft/54 Litre total net capacity

2.10 Cu ft/59.4 Litre total gross capacity

Max. 22 Bordeaux style wine bottles 750ml

**WF1547**

Freestanding three zone wine cabinet

H 1762mm

**Features**

Energy class

D

Black glass door with gloss black door frame

Triple stacked temperature zones for red, white or sparkling wine, independently controlled

No frost compressor cooling system

100% CFC / HFC free

Fan circulated cool air for even temperature distribution

2 Heaters raise internal temperature when external temperature drops

Air ventilation through black base plinth

Quiet operation 45dB(A)

Electronic temperature control and LED display

UV/heat-free white LED lighting (switchable)

3 Humidity control water tanks

Reversible door

Door lock

6 Sliding shelves, 2 display shelves and 1 base shelf

Stainless steel, black-spot feature bar handle

Telescopic dark wooden shelves

Toughened UV protected glass door

Black cabinet interior and exterior

**Performance**

Energy consumption  
329kWh/y

Upper zone temperature range  
5°C-18°C

Middle zone temperature range  
5°C-12°C

Lower zone temperature range  
12°C-18°C

Ambient temperature  
5°C-32°C

Humidity range >65%RH

**Capacity**

14.23Cu ft/404 Litre total net capacity

15.86 Cu ft/449 Litre total gross capacity

Stores max. 132 Bordeaux style wine bottles 750ml (43 bottles on upper zone, 45 bottles on middle zone and 44 bottles on lower zone)

## classic wine cabinets



Precision-crafted stainless steel, clear glass and quality beech wooden shelves. A welcome guest at any party.



Our stylish stainless steel wine cabinets are available in two sizes, with a choice of single or dual temperature zones and a quiet operation from just 41dB(A). The doorframes, plinths and shelf fronts are made from stainless steel, and the UV protected tinted glass doors are toughened for safety. Most models also come with reversible doors for the choice of left or right opening.



## Built-in or freestanding

This range of wine cabinets has both undercounter and freestanding models.

Our undercounter models come in a variety of sizes and are built-in seamlessly below the worktop. Alternatively, our freestanding models create a dramatic kitchen focal point, and can easily be moved between rooms, or even houses.

In fact, Caple's wine cabinets can be kept almost anywhere in the house. The utility room, in the garage or basement. You just need to ensure the room is weather-proof, and there's an electrical socket. Our larger freestanding models also have lockable doors for added security.

## Grab a bottle



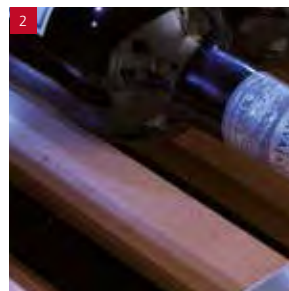
Our WF1104, WF1544 and WF1546 wine cabinets (see pages 236 and 237) have pull-out shelves on telescopic rails at just the right angle, making it easy to find the bottle you're after.

## Features



**LED display**  
Shows current and set temperature within the wine cabinet. (1)

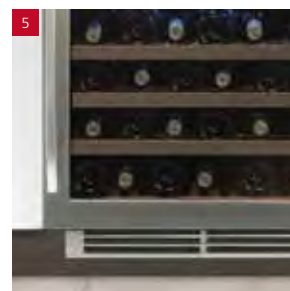
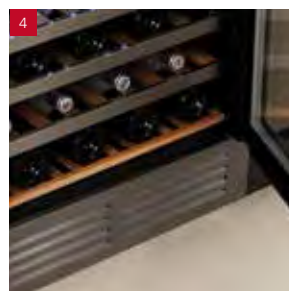
**Beech shelves**  
The easy-slide beech wooden shelves are non-scratch and won't damage bottle labels. Their slatted design secures bottles in position, and lets you overlap bottles for maximum capacity. (2)



**Humidity water tank**  
A humidity-controlling plastic water tank is also included. It's positioned on the top shelf of each zone and used to increase humidity, if required. (3)



**Plinth choice**  
Apart from the Wi154 and Wi155, all the undercounter wine cabinets come with both a stainless steel adjustable plinth grille and a stainless steel recessed plinth grille. (4+5)





### Sense Wi155

Undercounter single zone wine cabinet

W 145mm



#### Features

Energy class

B

- One piece stainless steel door frame
- Single temperature zone for red or white wine
- No frost compressor cooling system
- 100% CFC / HFC free
- Fan circulated cool air for even temperature distribution
- Air ventilation through plinth
- Quiet operation 42dB(A)
- Electronic temperature control and LED display
- White LED interior lighting (switchable)
- Reversible door
- Curved stainless steel handle
- 6 Black wire shelves and 1 base shelf
- Toughened UV protected glass door
- Black cabinet interior and exterior
- Stainless steel ventilation grille
- Vibration free

#### Performance

- Energy consumption 155kwh/y
- Temperature range 5°C-18°C
- Ambient temperature 5°C-32°C
- Humidity range >65%RH

#### Capacity

- 0.67 Cu ft/19 Litre total net capacity
- 0.78 Cu ft/22 Litre total gross capacity
- Max. 7 wine bottles 750ml
- Stores max. 7 Bordeaux style wine bottles 750ml
- Not suitable for some champagne bottles

### Wi3117

Undercounter single zone wine cabinet

W 295mm



#### Features

Energy class

B

- One piece stainless steel door
- Single temperature zone for red or white wine
- No frost compressor cooling system
- 100% CFC / HFC free
- Fan circulated cool air for even temperature distribution
- Air ventilation through height adjustable stainless steel plinth or recessed stainless steel plinth grille (both supplied)
- Quiet operation 41dB(A)
- Electronic temperature control and LED display
- UV/heat-free white LED lighting (switchable)
- Reversible door
- 1 Humidity control water tank
- 5 Sliding shelves and 1 base shelf
- Curved stainless steel handle
- Stainless steel fronted beech shelves
- Toughened UV protected glass door
- Black cabinet interior and exterior
- Vibration free

#### Performance

- Energy consumption 184kWh/y
- Temperature range 5°C-18°C
- Ambient temperature 5°C-32°C
- Humidity range >65%RH

#### Capacity

- 2.12 Cu ft/60 Litre total net capacity
- 2.37 Cu ft/67 Litre total gross capacity
- Max. 19 Bordeaux style wine bottles 750ml

#### Optional extras

- 3 frosted glass shelves with black plastic trim GSHELFPACK/300



Stainless steel recessed plinth grille

**Wi6116**

Undercounter single zone wine cabinet

W 595mm

**Features**

Energy class

B

One piece stainless steel door  
 Single temperature zone for red or white wine  
 No frost compressor cooling system  
 100% CFC / HFC free  
 Fan circulated cool air for even temperature distribution  
 Air ventilation through height adjustable stainless steel plinth or recessed stainless steel plinth grille (both supplied)  
 Quiet operation 42dB(A)  
 Electronic temperature control and LED display  
 UV/heat-free white LED lighting (switchable)  
 Reversible door  
 1 Humidity control water tank  
 5 Sliding shelves and 1 base shelf  
 Curved stainless steel handle  
 Stainless steel fronted beech shelves  
 Toughened UV protected glass door  
 Black cabinet interior and exterior  
 Vibration free

**Performance**

Energy consumption 186kWh/y  
 Temperature range 5°C-18°C  
 Ambient temperature 5°C-32°C  
 Humidity range >65%RH

**Capacity**

5.15 Cu ft/146 Litre total net capacity  
 5.79 Cu ft/164 Litre total gross capacity  
 Max. 46 Bordeaux style wine bottles 750ml (8 bottles per sliding shelf, 6 bottles per base shelf)

**Optional extras**

3 frosted glass shelves with black plastic trim  
 GSHELFPAK/600



Stainless steel recessed plinth grille

**Wi6127**

Undercounter dual zone wine cabinet

W 595mm

**Features**

Energy class

B

One piece stainless steel door  
 Dual stacked temperature zones (1 for red and 1 for white wine), independently controlled  
 No frost compressor cooling system  
 100% CFC / HFC free  
 Fan circulated cool air for even temperature distribution  
 PTC heater raises internal temperature when external temperature drops  
 Air ventilation through height adjustable stainless steel plinth or recessed stainless steel plinth grille (both supplied)  
 Quiet operation 43dB(A)  
 Electronic temperature control and LED display  
 UV/heat-free white LED lighting (switchable)  
 Reversible door  
 2 Humidity control water tanks  
 White wine zone has 2 sliding shelves  
 Red wine zone has 3 sliding shelves and 1 base shelf  
 Curved stainless steel handle  
 Stainless steel fronted beech shelves

**Features continued**

Toughened UV protected glass door  
 Black cabinet interior and exterior  
 Vibration free

**Performance**

Energy consumption 198kWh/y  
 White wine zone range 5°C-10°C  
 Red wine zone range 10°C-18°C  
 Ambient temperature 5°C-32°C  
 Humidity range >65%RH

**Capacity**

5.15 Cu ft/146 Litre total net capacity  
 5.79 Cu ft/164 Litre total gross capacity  
 Max. 16 Bordeaux style white wine bottles 750ml  
 Max. 30 Bordeaux style red wine bottles 750ml



Stainless steel recessed plinth grille

## Wi6226

Undercounter dual zone wine cabinet

W 595mm



### Features

Energy class

**B**

One piece stainless steel doors  
Dual side-by-side temperature zones for red or white wine, independently controlled

No frost compressor cooling system

100% CFC / HFC free

Fan circulated cool air for even temperature distribution

Air ventilation through height adjustable stainless steel plinth or recessed stainless steel plinth grille (both supplied)

Quiet operation 42dB(A)

Electronic temperature control and LED display

UV/heat-free white LED lighting (switchable)

2 Humidity control water tanks

5 Sliding shelves and 1 base shelf per zone

Curved stainless steel handles  
Stainless steel fronted beech shelves

Toughened UV protected glass door

Black cabinet interior and exterior

Vibration free

### Performance

Energy consumption  
195kWh/y

Both zones temperature range  
5°C-18°C

Ambient temperature  
5°C-32°C

Humidity range >65%RH

### Capacity

4.20 Cu ft/119 Litre total net capacity

4.73 Cu ft/134 Litre total gross capacity

Max. 38 Bordeaux style wine bottles 750ml (19 bottles per zone)

### Optional extras

3 frosted glass shelves with black plastic trim  
GSHELFPACK/300



Stainless steel recessed plinth grille

## WC6215

In-column dual zone wine cabinet

H 885mm



### Features

Energy class

**B**

One piece stainless steel door  
Dual stacked temperature zones – independently controlled (upper zone white wine, lower zone red wine)

No frost compressor cooling technology maintains a consistent temperature

100% CFC / HFC free

Fan circulated cool air for even temperature distribution

PTC heater raises internal temperature when external temperature drops

Quiet operation 41dB(A)

Electronic temperature control and LCD display

UV/heat-free white LED lighting (switchable)

Reversible door

2 Humidity control water tanks

White wine zone has 3 sliding shelves

Red wine zone has 3 sliding shelves and 1 base shelf

Curved stainless steel handle  
Stainless steel fronted beech shelves

Toughened UV protected glass door

Black cabinet interior and exterior

Vibration free

Audible door alarm when left open

### Performance

Energy consumption  
196kWh/y

White wine zone range  
5°C-10°C

Red wine zone range  
10°C-18°C

Ambient temperature  
5°C-35°C

Humidity range >65%RH

### Capacity

4.13 Cu ft/117 Litre total net capacity

4.94 Cu ft/140 Litre total gross capacity

Stores max. 42 Bordeaux style wine bottles 750ml (18 white bottles on upper zone, and 24 red bottles on lower zone)

**WC6115**

In-column single zone wine cabinet

H 885mm

**Features**

Energy class

B

One piece stainless steel door  
 Single temperature zone for red or white wine  
 No frost compressor cooling technology maintains a consistent temperature  
 100% CFC / HFC free  
 Fan circulated cool air for even temperature distribution  
 Quiet operation 40dB(A)  
 Electronic temperature control and LCD display  
 UV/heat-free white LED lighting (switchable)  
 Reversible door  
 1 humidity control water tank  
 7 sliding shelves and 1 base shelf  
 Curved stainless steel handle  
 Stainless steel fronted beech shelves  
 Toughened UV protected glass door  
 Black cabinet interior and exterior  
 Vibration free  
 Audible door alarm when left open

**Performance**

Energy consumption  
 156kWh/y  
 Temperature range 4°C-18°C  
 Ambient temperature  
 5°C-35°C  
 Humidity range >65%RH

**Capacity**

4.38 Cu ft/124 Litre total net capacity  
 5.41 Cu ft/153 Litre total gross capacity  
 Max. 46 Bordeaux style wine bottles 750ml

**WC6111**

In-column single zone wine cabinet

H 455mm

**Features**

Energy class

B

One piece stainless steel door  
 Single temperature zone for red or white wine  
 No frost compressor cooling technology maintains a consistent temperature  
 100% CFC / HFC free  
 Fan circulated cool air for even temperature distribution  
 Quiet operation 40dB(A)  
 Electronic temperature control and LCD display  
 UV/heat-free white LED lighting (switchable)  
 Reversible door  
 1 humidity control water tank  
 3 sliding shelves and 1 base shelf  
 Curved stainless steel handle  
 Stainless steel fronted beech shelves  
 Toughened UV protected glass door  
 Black cabinet interior and exterior  
 Vibration free  
 Audible door alarm when left open

**Performance**

Energy consumption  
 187kWh/y  
 Temperature range 4°C-18°C  
 Ambient temperature  
 5°C-35°C  
 Humidity range >65%RH

**Capacity**

1.91 Cu ft/54 Litre total net capacity  
 2.08 Cu ft/59 Litre total gross capacity  
 Max. 22 Bordeaux style wine bottles 750ml

**WF1104**

Freestanding dual zone wine cabinet

H 1395mm

**Features**

Energy class

D

One piece stainless steel door  
 Dual stacked temperature zones for red or white wine, independently controlled  
 No frost compressor cooling system  
 100% CFC / HFC free  
 Fan circulated cool air for even temperature distribution  
 2 Heaters raise internal temperature when external temperature drops  
 Air ventilation through stainless steel base plinth grill  
 Quiet operation 45dB(A)  
 Electronic temperature control and LED display  
 UV/heat-free white LED lighting (switchable)  
 2 Humidity control water tanks  
 Reversible door  
 Door lock  
 Upper zone has 2 sliding shelves and 1 display shelf  
 Lower zone has 4 sliding shelves and 1 base shelf  
 Curved stainless steel handle  
 Stainless steel fronted telescopic beech shelves  
 Toughened UV protected glass door  
 Black cabinet interior and exterior

**Performance**

Energy consumption  
 290kWh/y  
 Both zones temperature range  
 5°C-18°C  
 Ambient temperature  
 5°C-32°C  
 Humidity range >65%RH

**Capacity**

11.02 Cu ft/312 Litre total net capacity  
 12.18 Cu ft/345 Litre total gross capacity  
 Max. 109 Bordeaux style wine bottles 750ml  
 – 31 in upper compartment  
 – 23 in display shelf  
 – 55 in lower compartment  
 (11 bottles per sliding or base shelf)

**WF1544**

Freestanding single zone wine cabinet

H 1765mm

**Features**

Energy class

D

One piece stainless steel door  
 Single temperature zone for red or white wine  
 No frost compressor cooling system  
 100% CFC / HFC free  
 Fan circulated cool air for even temperature distribution  
 Heater raises internal temperature when external temperature drops  
 Air ventilation through stainless steel base plinth grill  
 Quiet operation 45dB(A)  
 Electronic temperature control and LED display  
 UV/heat-free white LED lighting (switchable)  
 1 Humidity control water tank  
 Reversible door  
 Door lock  
 11 Sliding shelves, 1 display shelf and 1 base shelf  
 Curved stainless steel handle  
 Stainless steel fronted telescopic beech shelves  
 Toughened UV protected glass door  
 Black cabinet interior and exterior

**Performance**

Energy consumption  
 337kWh/y  
 Temperature range 5°C-18°C  
 Ambient temperature  
 5°C-32°C  
 Humidity range >65%RH

**Capacity**

15.04 Cu ft/426 Litre total net capacity  
 16.70 Cu ft/473 Litre total gross capacity  
 Max. 155 Bordeaux style wine bottles 750ml

**WF1546**

Freestanding triple zone wine cabinet

H 1765mm

**Features**

Energy class

D

One piece stainless steel door  
 Triple stacked temperature zones for red or white wine, independently controlled  
 No frost compressor cooling system  
 100% CFC / HFC free  
 Fan circulated cool air for even temperature distribution  
 2 Heaters raise internal temperature when external temperature drops  
 Air ventilation through stainless steel base plinth grill  
 Quiet operation 45dB(A)  
 Electronic temperature control and LED display  
 UV/heat-free white LED lighting (switchable)  
 3 Humidity control water tanks  
 Reversible door  
 Door lock  
 Upper zone has 1 sliding shelf and 1 display shelf  
 Middle zone has 2 sliding shelves and 1 display shelf  
 Lower zone has 3 sliding shelves and 1 base shelf  
 Stainless steel fronted telescopic beech shelves  
 Toughened UV protected glass door  
 Black cabinet interior and exterior

**Performance**

Energy consumption 329kWh/y  
 Upper zone temperature range 5°C-18°C  
 Middle zone temperature range 5°C-12°C  
 Lower zone temperature range 12°C-18°C  
 Ambient temperature 5°C-32°C  
 Humidity range >65%RH

**Capacity**

14.23 Cu ft/404 Litre total net capacity  
 15.86 Cu ft/449 Litre total gross capacity  
 Stores max. 132 Bordeaux style wine bottles 750ml (43 bottles on upper zone, 45 bottles on middle zone and 44 bottles on lower zone)

**WF333**

Freestanding single zone wine cabinet

H 840mm

**Features**

Energy class

B

One piece stainless steel door  
 Single temperature zone for red or white wine  
 No frost compressor cooling system  
 100% CFC / HFC free  
 Top and side heat dispersion  
 Quiet operation 39dB(A)  
 Electronic temperature control  
 Interior light  
 Reversible door  
 1 Humidity control water tank  
 3 Full shelves and 1 half shelf  
 Curved stainless steel handle  
 Stainless steel fronted beech shelves  
 Toughened UV protected glass door  
 Black cabinet interior and exterior

**Performance**

Energy consumption 152kWh/y  
 Temperature range 5°C-18°C  
 Ambient temperature 5°C-35°C  
 Humidity range >65%RH

**Capacity**

4.1 Cu ft/116 Litre total net capacity  
 4.8 Cu ft/136 Litre total gross capacity  
 Max. 33 Bordeaux style wine bottles 750ml (4 bottles on top shelf, 10 bottles double stacked on middle two shelves, and 9 bottles double stacked on the bottom shelf)



# dishwashers

Our machines don't just leave your dishes sparkling, they also come with at least an 'A+' rating for energy, and 'A' for wash and drying performance.





Cuple

Cuple

Programs  
Economy 2:59

DI628

## high performers

Whether it's a quick wash or something more heavy-duty, every Caple dishwasher is designed to perform. The range includes several built-in models, to tuck away behind your kitchen doors or two modern, stylish freestanding machines. All models are now at least A+ energy rated, with the top of the range built-in model now an amazing A+++.



## Extra features, extra savings



### Alternative wash

This function available on the Di628 and DF630 allows the user to select either the upper or lower baskets for the load. Saving water and energy with smaller loads.

### Power wash and Auto wash

Exclusive to the Di628, are the Power wash and Auto wash functions.

Power wash, when used with either intensive, normal, economy, glass and 1 hour express programmes, helps break through heavily soiled loads by increasing washing temperature and duration.

Auto wash, has sensors intelligently checking the level of cleanliness of the load to make maximum savings of time, energy and water. This can deliver a wash that uses only 8.4 litres of water.



## High profile style and function

The Caple DF630 freestanding dishwasher is not only energy efficient with an 'A++' energy rating, but is also touch control.

The mirrored finish control panel is very stylish and easy to use. The curved top profile of the door contributes to the extremely stylish look.

A very modern look for a freestanding dishwasher that performs very impressively both functionally and aesthetically.



## Water consumption

The whole of the range have low water consumption figures, which is not only great for the environment but your pocket also. Using the Auto wash programme on the Di628 only uses an astonishing 8.4 litres of water.



## Features

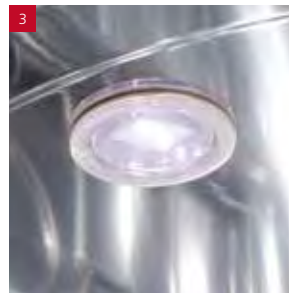
**Flexible cutlery tray**  
Models Di628 and Di626 feature clever cutlery trays that sit at the top of the dishwasher freeing up more space in the lower basket. Choose from five set-up options, (shown below) depending on what is below in the upper basket. (1)



**Easily adjustable upper basket**  
Allows the height of the upper basket to be changed (even with full loads) with the simple release of 2 conveniently placed levers. (2)



**Internal LED light**  
Activated when the door is opened, it helps internal illumination and looks good too! (3)



**Delay timer**  
Allows the user to delay the start time for between 1 - 24 hours. (4)

**Aquastop**  
Automatically cuts off the water at the first sign of a leak, helping to avoid costly water damage. (5)



### Reduce water and energy usage



The Half load function is ideally suited to small loads, unlike traditional Half load programmes (which usually only utilise one basket) this uses reduced energy and water usage.



**Di628**

Fully integrated dishwasher

W 600mm

**Performance**Energy class **A+++**Wash class **A**Drying performance **A****8 Programmes:**

- *\*auto/45-55°C*
- *\*normal/55°C*
- *\*intensive/65°C*
- *\*economy/50°C*
- *1 hour express/60°C*
- *glass/40°C*
- *soak*
- *rapid/45°C*

3-in-1 function for use with tablets containing salt and rinse-aid (\*this function can only be used in combination with auto, normal, intensive and economy programmes)

Max. noise level 45dB(A)

Annual energy consumption 237kWh/y

Annual water consumption 2800 litres

Water consumption (Auto) from 8.4L

**Functions**

Express  
Extra drying  
Power wash  
Alternative wash  
Delayed timer 1-24hr

**Features**

14 Place settings  
Max. plate diameter 30cm  
Stainless steel inner door and interior  
LCD electronic control panel  
Stainless steel door top control panel  
Internal light  
Top cutlery tray  
Titanium Grey baskets  
Cold water connection  
Hidden heating element  
Easily adjustable upper basket  
Easy clean filter system  
Electronic salt and rinse aid warning light  
6 Level water softening system  
Water overflow protection system  
AquaStop  
**Electrical connection**  
Voltage 230V  
Rated load 1.93kW  
Fuse rating 13A

**Di626**

Fully integrated dishwasher

W 600mm

**Performance**Energy class **A+**Wash class **A**Drying performance **A****6 Programmes:**

- *\*normal/55°C*
- *\*intensive/65°C*
- *\*economy/50°C*
- *1 hour express/60°C*
- *glass/40°C*
- *rapid/45°C*

3-in-1 function for use with tablets containing salt and rinse-aid (\*this function can only be used in combination with normal, intensive and economy programmes)

Max. noise level 52dB

Annual energy consumption 299kWh/y

Annual water consumption 3500 litres

Water consumption (economy) 12.5L

**Functions**

Delayed timer 1-24hr  
Half load

**Features**

14 Place settings  
Max. plate diameter 30cm  
Stainless steel inner door and interior  
Electronic control panel  
Silver door top control panel  
Top cutlery tray  
Titanium Grey baskets  
Cold water connection  
Hidden heating element  
Easily adjustable upper basket  
Easy clean filter system  
Electronic salt and rinse aid warning light  
6 Level water softening system  
Water overflow protection system  
AquaStop  
**Electrical connection**  
Voltage 230V  
Rated load 1.93kW  
Fuse rating 13A



## Di624

Fully integrated dishwasher

W 600mm



### Performance

Energy class	A+
Wash class	A
Drying performance	A

#### 4 Programmes:

- *3 in 1*/55°C
- *intensive*/65°C
- *economy*/50°C
- *rapid*/40°C

Max. noise level 55dB

Annual energy consumption 290kWh/y

Annual water consumption 3360 litres

Water consumption (economy) 12L

### Features

- 12 Place settings
- Max. plate diameter 30cm
- Stainless steel inner door and interior
- White door top control panel
- Titanium Grey baskets
- Salt and rinse aid warning light
- Cold water connection
- Hidden heating element
- Height adjustable upper basket
- Easy clean filter system
- 3 Level water softening system
- Water overflow protection system

#### Electrical connection

- Voltage 230V
- Rated load 1.93kW
- Fuse rating 13A

## Di475

Slimline fully integrated dishwasher

W 450mm



### Performance

Energy class	A+
Wash class	A
Drying performance	A

#### 6 Programmes:

- *\*normal*/55°C
- *\*intensive*/65°C
- *\*economy*/50°C
- *1 hour express*/60°C
- *glass*/40°C
- *rapid*/40°C

3-in-1 function for use with tablets containing salt and rinse-aid (\*this function can only be used in combination with normal, intensive and economy programmes)

Max. noise level 49dB

Annual energy consumption 237kWh/y

Annual water consumption 2520 litres

Water consumption (economy) 9L

#### Functions

- Delayed timer 1-24hr
- Half load

### Features

- 10 Place settings
- Max. plate diameter 30cm
- Stainless steel inner door and interior
- LED Electronic control panel
- Stainless steel door top control panel
- Internal light
- Top cutlery tray
- Titanium Grey baskets
- Cold water connection
- Hidden heating element
- Easily adjustable upper basket
- Easy clean filter system
- Electronic salt and rinse aid warning light
- 6 Level water softening system
- Water overflow protection system
- Aquastop

#### Electrical connection

- Voltage 230V
- Rated load 1.93kW
- Fuse rating 13A

**Di474**

Slimline fully integrated dishwasher

W 450mm

**Performance**

Energy class A+

Wash class A

Drying performance A

**4 Programmes:**

- *3 in 1*/55°C
- *intensive*/65°C
- *economy*/50°C
- *rapid*/40°C

Max. noise level 55dB

Annual energy consumption  
222kWh/yAnnual water consumption  
2940 litresWater consumption  
(economy) 10.5L**Features**

9 Place settings

Max. plate diameter 30cm

Stainless steel inner door  
and interior

White door top control panel

Titanium Grey baskets

Salt and Rinse aid warning light

Cold water connection

Hidden heating element

Height adjustable upper basket

Easy clean filter system

3 Level water softening system

Water overflow  
protection system**Electrical connection**

Voltage 230V

Rated load 1.93kW

Fuse rating 13A

**DF630**

Freestanding dishwasher

W 600mm



**Performance**

Energy class	A++
Wash class	A
Drying performance	A

**7 Programmes:**

- *\*normal/50°C*
- *\*intensive/65°C*
- *1 hour express/62°C*
- *\*economy/50°C*
- *glass/40°C*
- *rapid/40°C*
- *soak*

3-in-1 function for use with tablets containing salt and rinse-aid (\*this function can only be used in combination with normal, intensive and economy programmes)

Max. noise level 49dB  
 Annual energy consumption 266kWh/y  
 Annual water consumption 3080 litres  
 Water consumption (economy) 11L

**Functions**

Alternative wash  
 Delayed timer 1-24hr

**Features**

White - with mirrored touch control panel  
 14 Place settings  
 Max. plate diameter 30cm  
 Stainless steel inner door and interior  
 Electronic LED display  
 Top cutlery tray  
 Titanium Grey baskets  
 Electronic salt and rinse aid warning light  
 Cold water connection  
 Hidden heating element  
 Height adjustable upper basket  
 Easy clean filter system  
 6 Level water softening system  
 Water overflow protection system  
 Aquastop  
**Electrical connection**  
 Voltage 230V  
 Rated load 1.93kW  
 Fuse rating 13A

**DF610**

Freestanding dishwasher

W 600mm



**Performance**

Energy class	A+
Wash class	A
Drying performance	A

**5 Programmes:**

- *\*normal/55°C*
- *\*intensive/65°C*
- *1 hour express/60°C*
- *\*economy/50°C*
- *rapid/40°C*

3-in-1 function for use with tablets containing salt and rinse-aid (\*this function can only be used in combination with normal, intensive and economy programmes)

Max. noise level 55dB  
 Annual energy consumption 290kWh/y  
 Annual water consumption 3360 litres  
 Water consumption (economy) 12L

**Functions**

Half load

**Features**

White  
 12 Place settings  
 Max. plate diameter 30cm  
 Stainless steel inner door and interior  
 Electronic control panel  
 Titanium Grey baskets  
 Electronic salt and rinse aid warning light  
 Cold water connection  
 Hidden heating element  
 Height adjustable upper basket  
 Easy clean filter system  
 3 Level water softening system  
 Water overflow protection system  
**Electrical connection**  
 Voltage 230V  
 Rated load 1.93kW  
 Fuse rating 13A





# laundry

A reliable washing machine and tumble dryer is an absolute must for any family. So we've designed a quality range that's packed with features and performance.



cople

**PROGRAMS**

- 1 Extra dry
- 2 Cupboard dry
- 3 Mid dry
- 4 Extra iron dry
- 5 Iron dry
- 6 Damp dry
- 7 Timed dry
- 8 30 min airox

Spin  
Temp  
Start

**HEAT SENSING**

**START**

Electronic Sensing

Load dry  
**Anti-crease active**



# washing machines

Choose from a selection of integrated machines that tuck neatly away. Whichever you choose, you can be sure it will do the job. All our machines use the most advanced technology to make laundry day just that bit easier.



## Features

**Digital display**  
Included on all models. Shows the programme phase, spin speed and any extra functions selected. (1)

**Durable stainless steel drum**  
For longevity, hygiene and garment care. The 1400rpm spin speed on some models means faster drying times. (2)

**Extra large doors**  
Makes loading and unloading much easier. (3)



**WMi2003**

Electronic washing machine

**WMi2006**

Electronic washing machine

**Performance**Energy class **A++**Wash class **A**Spin efficiency **B****11 Programmes:**

- *fast wash 15min*
- *mixed*
- *cotton*
- *synthetic*
- *wool*
- *delicate*
- *underwear*
- *prewash*
- *rinses*
- *spin-drying*
- *self-clean*

**Options:**

- *delay timer*
- *pause*
- *intense*
- *spin selection*
- *extra rinse*

**Performance continued**

1200rpm max. spin speed

6kg washing capacity

11003 litre annual water consumption

Est. annual energy consumption 166kWh/yr

Max. noise level Wash 57dB, Spin 75dB

**Features**

Cold fill  
 15 minute fast wash  
 Digital display  
 320mm extra large door  
 Door safety lock  
 Programme time remaining  
 Variable spin speed  
 Automatic variable load  
 Stainless steel drum  
 Anti-overflow protection

**Electrical connection**

Rated load 2.0kW

Fuse rating 13A

**Performance**Energy class **A+**Wash class **A**Spin efficiency **A****16 Programmes:**

- *cold wash*
- *fast 30min 30°C*
- *quick 44min 40°C*
- *normal 30°C*
- *normal 40°C*
- *normal 60°C*
- *cotton 90°C*
- *mixed 30°C*
- *mixed 40°C*
- *mixed 50°C*
- *wool 40°C*
- *handwash 30°C*
- *eco 20°C*
- *rinses*
- *spin-drying*
- *draining*

**Options:**

- *delay timer (up to 24hrs)*
- *pause*
- *cold wash*
- *spin selection*
- *allergy care*

**Performance continued**

1400rpm max. spin speed

7kg washing capacity

9600 litre annual water consumption

Est. annual energy consumption 224kWh/yr

Max. noise level Wash 58dB, Spin 76dB

**Features**

Cold fill  
 30 minute fast wash  
 Digital display  
 300mm extra large door  
 Door safety lock  
 Programme time remaining  
 Variable spin speed  
 Automatic variable load  
 Stainless steel drum  
 Anti-overflow protection  
 Foam control

**Electrical connection**

Rated load 1.5kW

Fuse rating 13A

# washer dryers

Our range of intergated washer dryers are easily operational with multiple programmes to meet all your laundry needs ensuring minimal fuss when washing and drying clothes.



**Electronic controls**  
Included on all models. Simple controls to change between options at the click of a button. (1)

**Allergy care**  
Removes all detergent from fabric to minimise the risk of skin irritation (2)



**Stain reduction**  
Our models use advance technology to maximise cleaning action ensuring your whites stay looking fresher for longer.(3)



**WDi2203**

Electronic condenser washer dryer

**Performance**

Energy class	B
Wash class	A
Spin efficiency	B

**11 Programmes:**

- *fast wash 15min*
- *cotton*
- *synthetic*
- *wool*
- *delicate*
- *underwear*
- *prewash*
- *spin*
- *refresh*
- *dry*
- *self-clean*

**Options:**

- *delay timer*
- *pause*
- *spin selection*
- *temperature selection*
- *intense*
- *extra rinse*
- *dry*

**Performance continued**

1200rpm max. spin speed  
6kg wash, 3kg drying capacity  
98 litre water consumption  
(wash and dry cycle)  
Est. energy to wash and dry  
full load 4.84kWh

Max. noise level Wash 58dB,  
Spin 72dB, Dry 57dB

**Features**

Final cool down tumble  
Cold fill  
15 minute fast wash  
Digital display  
Electronic controls  
320mm extra large door  
Door safety lock  
Programme time remaining  
Variable spin speed  
Automatic variable load  
Stainless steel drum  
Anti-overflow protection  
Pause function

**Electrical connection**

Rated load 2.0kW  
Fuse rating 13A

**WDi2206**

Electronic condenser washer dryer

**Performance**

Energy class	B
Wash class	A
Spin efficiency	B

**20 Programmes:**

- *cold wash*
- *quick 30°C*
- *mixed 30°C*
- *mixed 40°C*
- *mixed 60°C*
- *cotton 30°C*
- *cotton 40°C*
- *cotton 60°C*
- *cotton 90°C*
- *handwash 30°C*
- *delicate 40°C*
- *'A' wash 60°C*
- *economy 'AA' wash 40°C*
- *eco 20°C*
- *rinses*
- *spin-drying*
- *draining*
- *extra dry*
- *cupboard dry*
- *iron dry*

**Options:**

- *delay timer (3, 6 or 9hrs)*
- *pause*
- *easy iron*
- *spin selection*
- *temperature selection*
- *stain reduction*
- *allergy care*

**Performance continued**

1200rpm max. spin speed  
7kg wash, 5kg drying capacity  
115 litre water consumption  
(wash and dry cycle)  
Est. energy to wash and dry  
full load 5.65kWh

Max. noise level Wash 58dB,  
Spin 77dB, Dry 62dB

**Features**

Final cool down tumble  
Cold fill  
30 minute quick wash  
LED information panel  
Electronic soft touch controls  
Pause function  
300mm extra large door  
Door safety lock  
Programme time remaining  
Variable spin speed  
Automatic variable load  
Stainless steel drum  
Anti-overflow protection  
Anti-flood safety device  
Foam control

**Electrical connection**

Rated load 1.5kW  
Fuse rating 13A

# tumble dryers

Caple tumble dryers use state-of-the-art technology that makes every task effortless. Choose an integrated machine, or be bold and go freestanding.



Our TDF200 freestanding model has 11 different programmes, a huge 8kg drying capacity and loads of other useful features such as our clever DeCrease system. This re-uses the moisture produced during the drying process to create steam cycles that reduce creases.

The DeCrease system works best with distilled water, which can be easily accessed and topped up with distilled water from the condenser drawer.



The TDi100 and TDi110 fully-integrated tumble dryers both offer two heat settings and a venting system for the best possible performance. The TDi110 also has sensors in the drum that constantly check moisture levels, so the machine only stops when clothes are completely dry. Other handy features include a reverse tumble action, six levels of dryness and an easy-access fluff filter.

**TDi110**

Fully integrated sensor tumble dryer

**Performance**

Energy class

C

2 Heat settings  
 6kg drying capacity  
 Vented drying  
 Annual energy consumption  
 459 kWh/yr  
 Max. noise level 62dB

**Features**

Sensor drying  
 6 levels of dryness:
 

- *extra dry*
- *cupboard dry*
- *mid dry*
- *extra iron dry*
- *iron dry and*
- *damp dry*

 30 minute timed drying with heat  
 30 minute refresh  
 Reverse tumble action  
 Final cool down tumble  
 Easy access fluff filter  
 Rear vented only  
 Integral extendable 2.4m hose and wall outlet  
 Left or right door hinge  
 Adjustable legs

**Electrical connection**  
 Rated load 2.70kW  
 Fuse rating 13A

Note: H 80mm vent slot required in plinth (not shown)

**TDi100**

Fully integrated vented tumble dryer

**Performance**

Energy class

C

2 Heat settings  
 6kg drying capacity  
 Vented drying  
 Annual energy consumption  
 459 kWh/yr  
 Max. noise level 62dB

**Features**

Reverse tumble action  
 Final cool down tumble  
 Easy access fluff filter  
 Rear vented only  
 Integral extendable 2.4m hose and wall outlet  
 Left or right door hinge  
 Adjustable legs

**Electrical connection**  
 Rated load 2.70kW  
 Fuse rating 13A

Note: H 80mm vent slot required in plinth (not shown)



## TDF200

Freestanding condenser tumble dryer



## Performance

Energy class

B

## 11 Programmes:

- *steam for cotton*  
18mins (DeCrease system)
- *extra dry for cotton*
- *dry for cotton*
- *ready to iron for cotton*
- *steam for mixed fabrics*  
20mins (DeCrease system)
- *dry for mixed fabrics*
- *ready to iron for mixed fabrics*
- *steam for refresh*  
20mins (DeCrease system)
- *synthetics*
- *delicates*
- *wool*

## Options:

- *anti-crease*
- *additional drying*
- *tumbling to avoid extra creasing at the end of the programme, clothes are tumbled for every 10mins for 24hrs until the door is opened or the machine is turned off*
- *end of programme buzzer alert*
- *time delay up to 24hrs/ remaining time*

8kg drying capacity

2kg steam capacity

Annual energy consumption

285 kWh/yr

Max. noise level 65dB

## Features

1.2 Litre steam tank  
(for distilled water only,  
from condenser tank)

LCD display which features:

- *delay timer 1-24hrs*
- *progress*
- *total time remaining*
- *tank full warning*
- *steam tank empty/full warning*
- *'Memo activ' function which automatically remembers the most used programme*

Electronic start switch

Easy load drum

Final cool down tumble

180° opening for easy access

Clean filter warning

Removable water tank

Stainless steel drum

Light inside the drum

Condenser kit for direct  
water removal to plumbing

Easy access fluff filter

## Electrical connection

Rated load 2.70kW

Fuse rating 13A

# venting



**100mm venting kit**  
(code 202W)

- For hoods with extraction up to 250m<sup>3</sup>/h
- 1 Metre flexible venting kit



**100mm venting kit**  
(code 212W)

- For hoods with extraction up to 250m<sup>3</sup>/h
- 2 Metre venting kit



**125mm venting kit**  
(code 202-5W)

- For hoods with extraction up to 500m<sup>3</sup>/h
- 1 Metre flexible venting kit



**125mm venting kit**  
(code 227W)

- For hoods with extraction 250-500m<sup>3</sup>/h
- 3 Metre venting kit



**150mm venting kit**  
(code 202-6W)

- For hoods with extraction over 500m<sup>3</sup>/h
- 1 Metre flexible venting kit



**150mm venting kit**  
(code 2653W)

- For hoods with extraction over 500m<sup>3</sup>/h
- 3 Metre venting kit



**150mm venting kit**  
(code 2655W)

- Suitable for use with downdraft hoods
- 3 Metre ridged venting kit



**Universal plinth grille**  
(code GRILL/SENSE)

- Stainless steel top fixing plinth grille
- Available in 2 sizes: GRILL/SENSE600 (shown) W 525mm  
GRILL/SENSE300 W 250mm

## Venting:

- 100mm Venting is suitable for venting cooker hoods and tumble dryers fitted with 100mm outlets where the duct run is short. It is recommended for applications requiring low extraction rates of up to 250m<sup>3</sup>/h. (equivalent flat channel dimensions 110mm x 54mm).
- 125mm Venting is recommended for air extraction installations involving longer duct runs or several bends. It is essential where extraction rates of 250 - 500m<sup>3</sup>/h are required. (equivalent flat channel dimensions 204mm x 60mm).
- 150mm venting is recommended for high powered extractors with rates of 500m<sup>3</sup>/h and above. (equivalent flat channel dimensions 220mm x 90mm).

External Motors - Due to the power and fitment of Caple external motors (DDMEXT2, DDMEXT3 and DDMEXT4), rigid ducting must be used.



**Stainless steel grille**  
(code GRILL/CLASS)

- Stainless steel plinth grille with fixing brackets
- Available in 2 sizes: GRILL/CLASS600 (shown) W 600mm - for W16117, W16128, W16227, W16116, W16127, W16226  
GRILL/CLASS300 W 300mm - for W13117, W13118

# waste disposers

A waste disposer hidden away under the sink can help you recycle your food scraps and leftovers like potato peelings, chicken bones, egg shells and tea bags. It's clean, it's green and it leaves you less to clutter up your bin.

It couldn't be easier or more convenient to use. Simply turn on the cold tap and the disposer, then empty everything into the sink. The disposer grinds the food waste into fine particles and flushes the waste away down the drain.

Since more than 25% of household refuse is food, that means much less rubbish for the dustmen to take away to clog up our landfill sites, and a reduction in the amount of greenhouse gases emitted. Disposer waste can actually be recycled into a soil conditioner once it reaches the water treatment plant, so you will be making a positive contribution to your environment.





Cople

**WDU100**

1.0hp food waste disposer

Cople

**Cople**  
www.cople.co.uk

## 0.5hp Waste Disposal Unit

WDU050

## 0.75hp Waste Disposal Unit

WDU075



### General features

- 0.5hp waste disposal unit
- Continuous feed
- High speed magnet motor
- Overload protection
- Corrosion resistant 3 stage grinding system
- Easy mount installation
- Sound insulation
- Suitable for air switch WDUAIR (see below)

### Dimensions

- Width 175mm
- Depth 175mm
- Height 372mm

**2 YEAR GUARANTEE**

### General features

- 0.75hp waste disposal unit
- Continuous feed
- High speed magnet motor
- Overload protection
- Corrosion resistant 3 stage grinding system
- Easy mount installation
- Sound insulation
- Air switch WDUAIR included

### Dimensions

- Width 216mm
- Depth 216mm
- Height 400mm

**2 YEAR GUARANTEE**

### Accessory options



Chrome air switch with is an optional extra with the WDU050 but comes as standard with the WDU075 and WDU100.

WDUAIR

## 1.0hp Waste Disposal Unit

WDU100



### General features

1.0hp waste disposal unit  
Continuous feed  
High speed magnet motor  
Overload protection  
Corrosion resistant 3 stage grinding system  
Easy mount installation  
Sound insulation  
Air switch WDUAIR included

### Dimensions

Width 216mm  
Depth 216mm  
Height 437mm

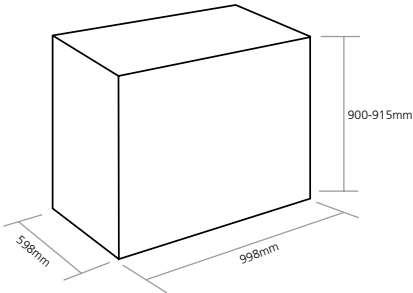
**3 YEAR GUARANTEE**



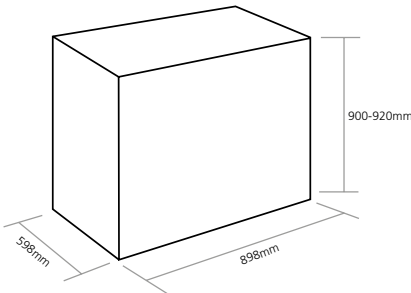
# installation diagrams

## Range cookers

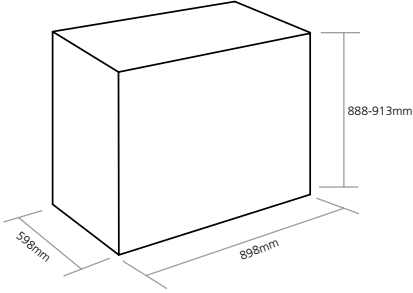
Models:  
CR1207



Models:  
CR9207  
CR9208  
CR9218  
CR9227

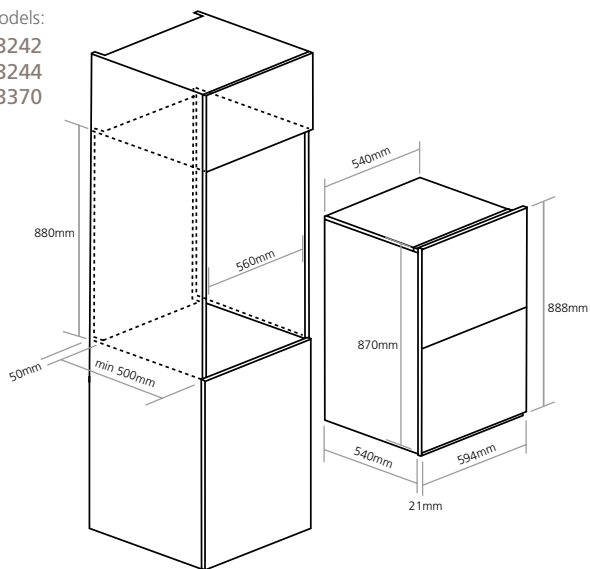


Models:  
CR9108

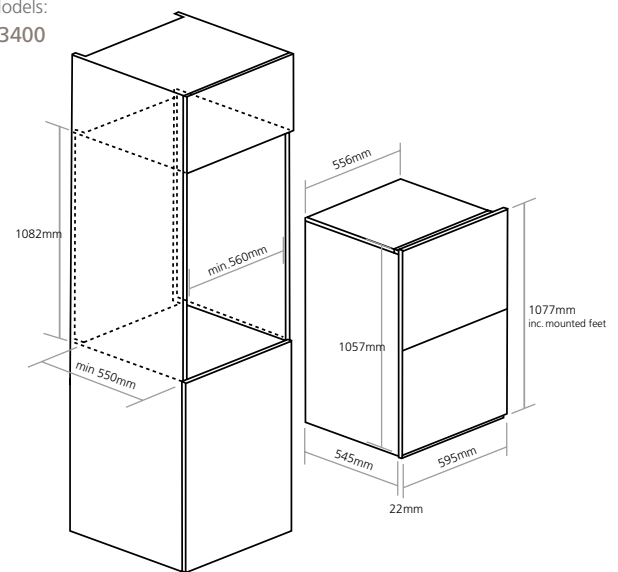


## Double ovens

Models:  
C3242  
C3244  
C3370

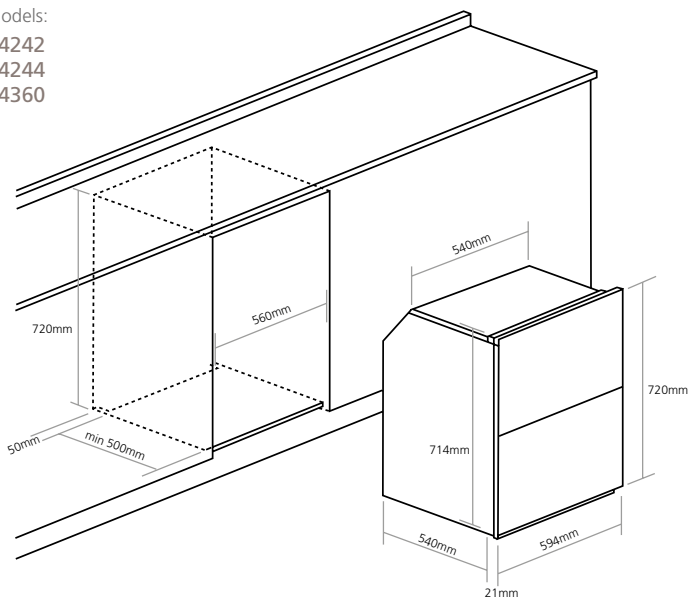


Models:  
C3400



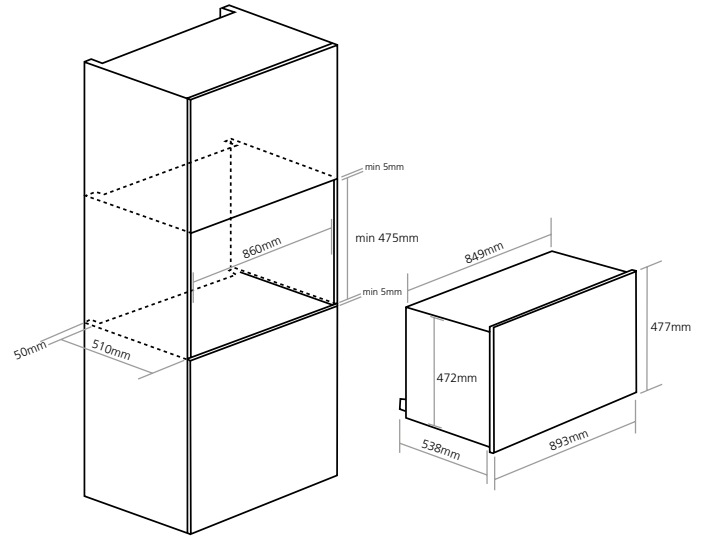
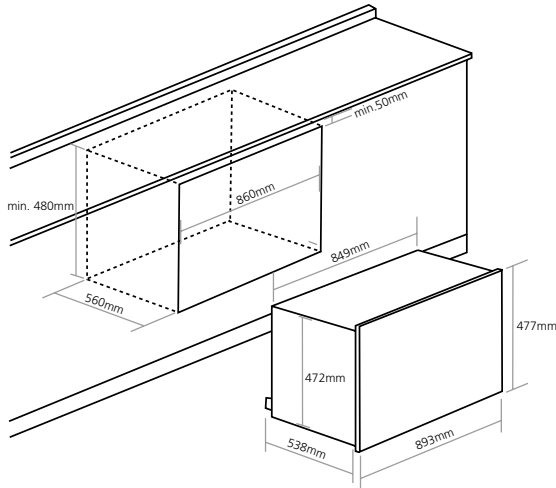
## Built-under double ovens

Models:  
C4242  
C4244  
C4360

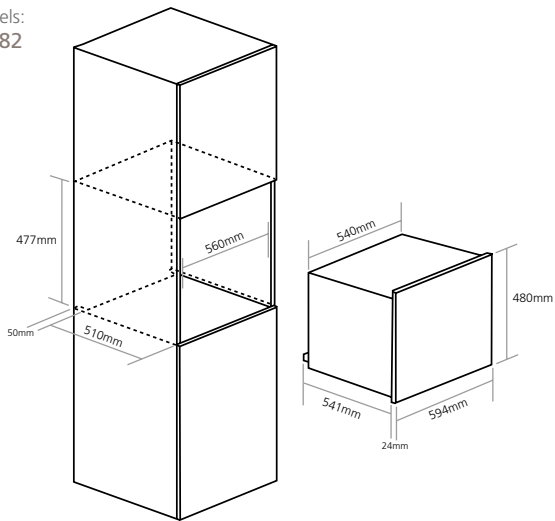


# Single ovens

Models:  
C2900

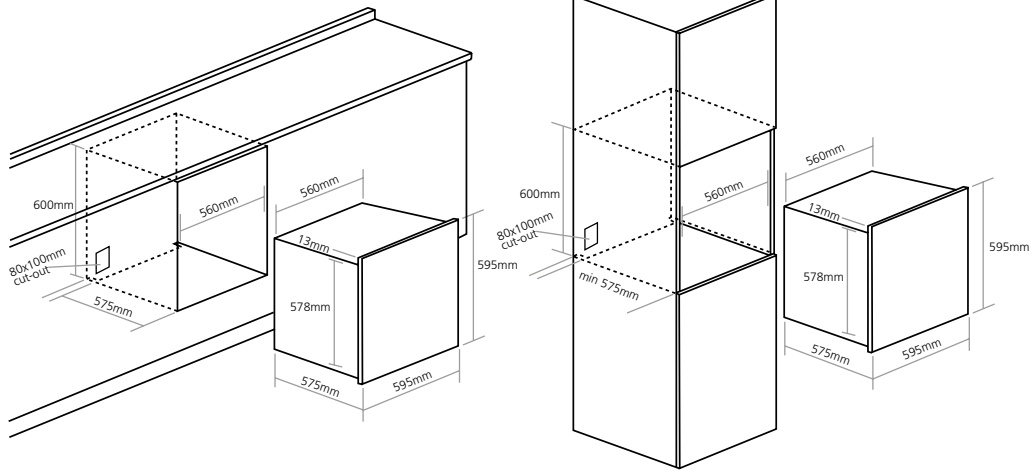


Models:  
C2282

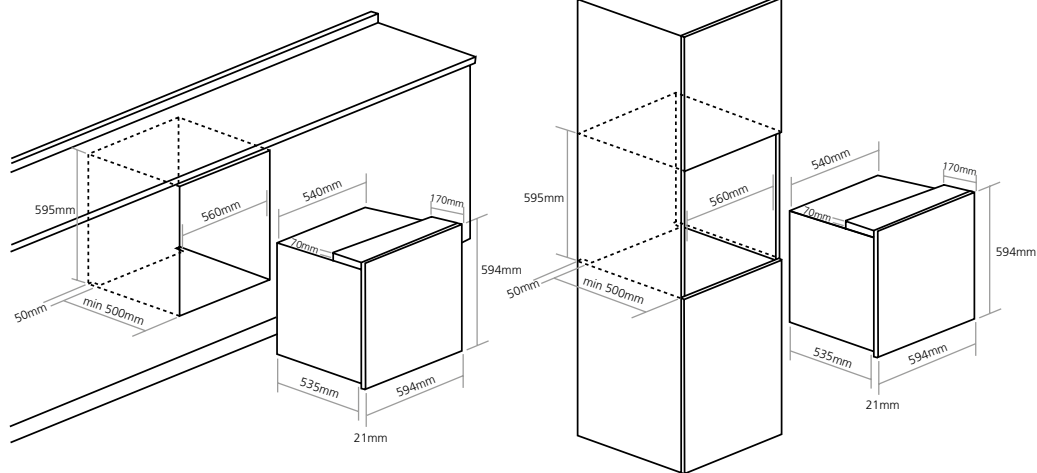


## Single ovens

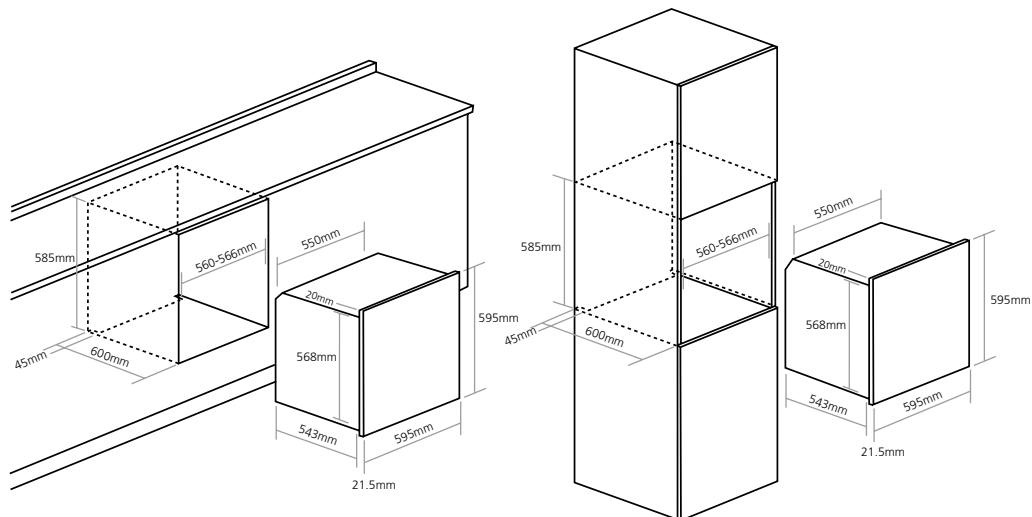
Models:  
C2472



Models:  
C2100  
C2219  
C2361  
C2511

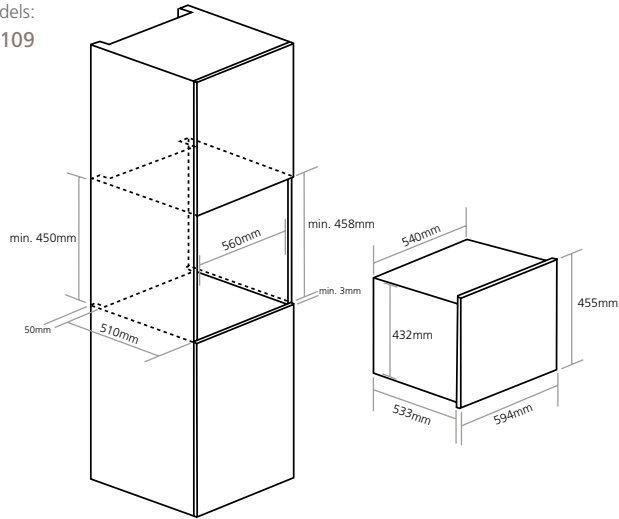


Models:  
C2214  
C2216  
C2228



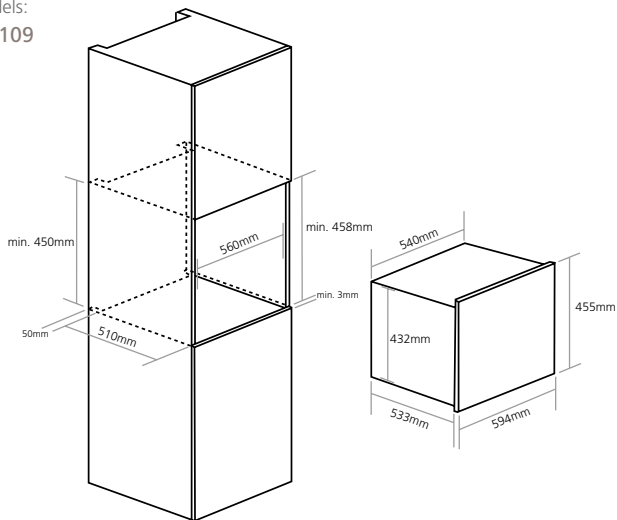
## Steam ovens

Models:  
SO109

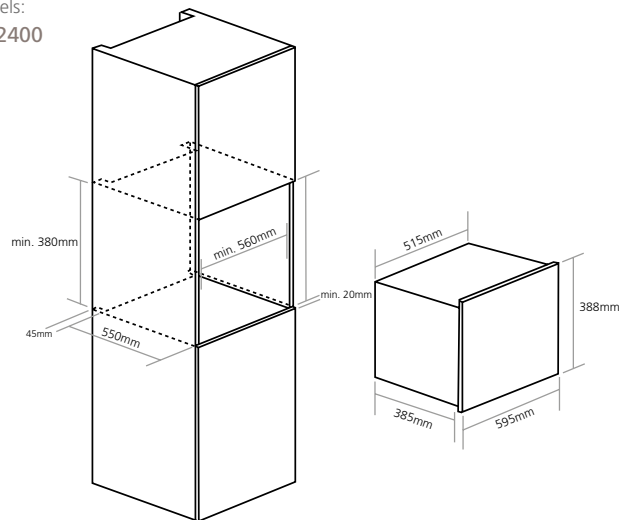


## Microwaves

Models:  
CM109

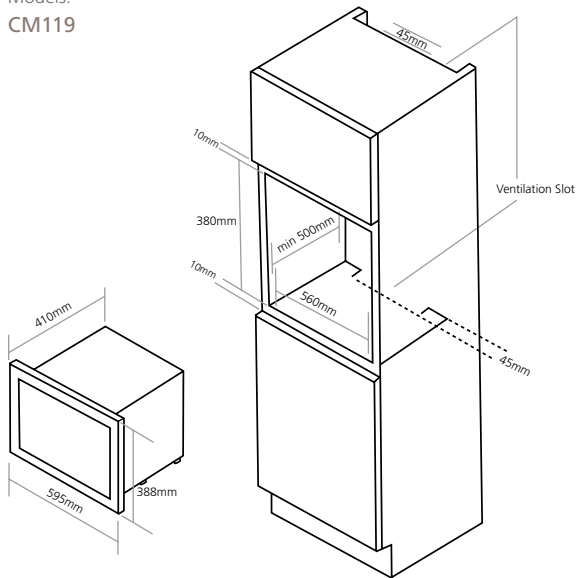


Models:  
CM2400

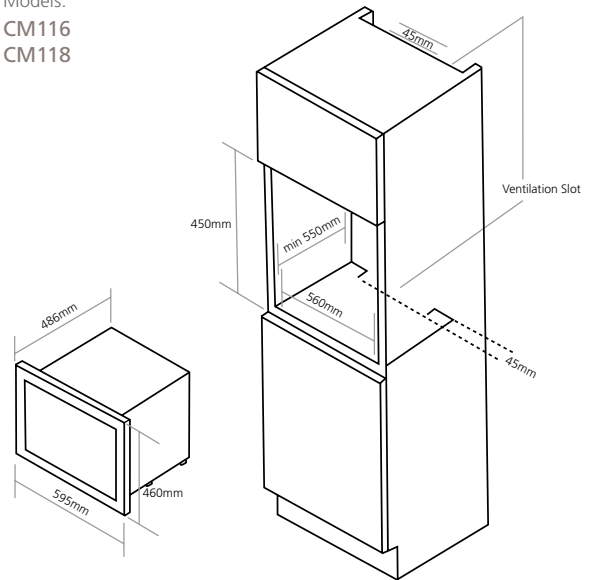


## Microwaves

Models:  
CM119

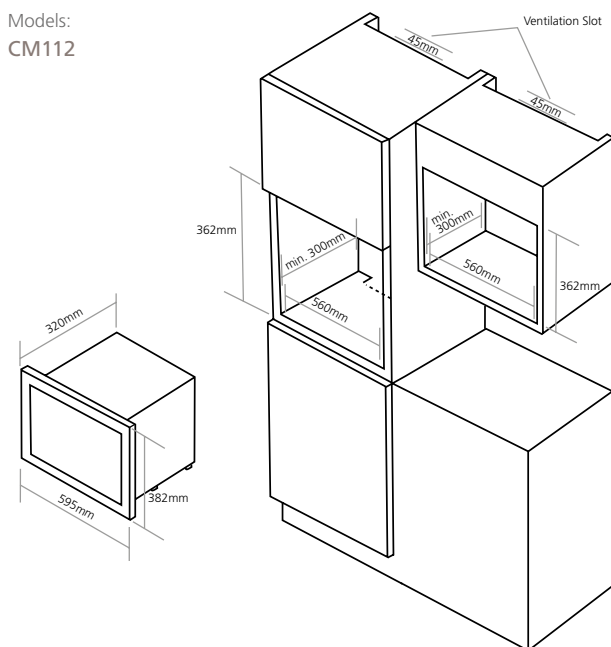


Models:  
CM116  
CM118



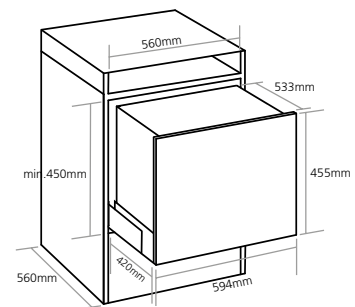
A clearance of 5mm is required at top and bottom of microwave oven frame

Models:  
CM112



## Coffee machine

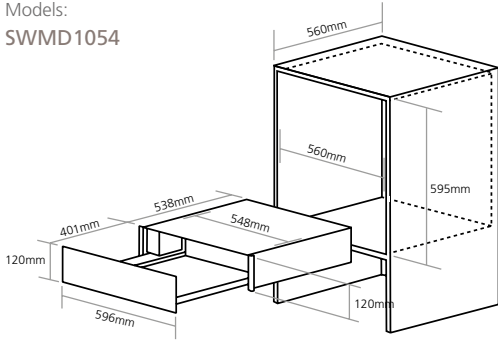
Models:  
CM461



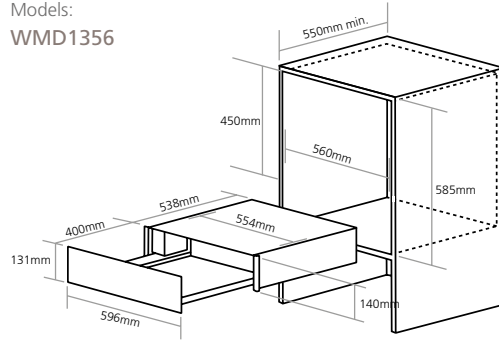


## Warming drawers and storage drawer

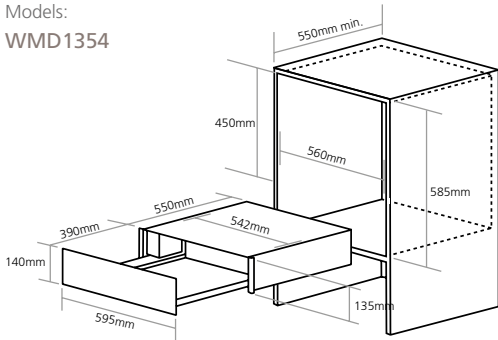
Models:  
SWMD1054



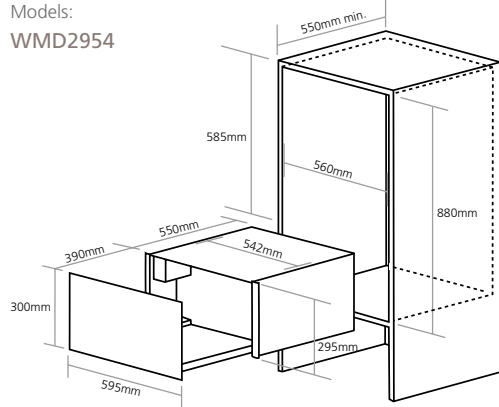
Models:  
WMD1356



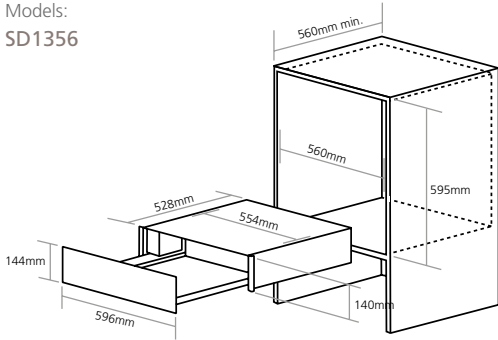
Models:  
WMD1354



Models:  
WMD2954

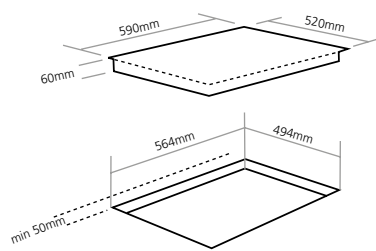


Models:  
SD1356

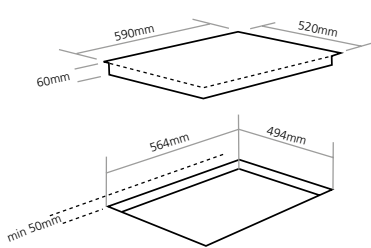


## Induction hobs

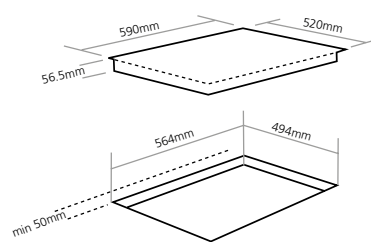
Models:  
C840i



Models:  
C850i



Models:  
C854i

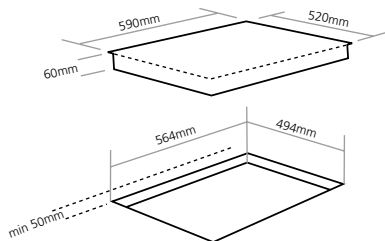


Induction hobs C840i, C850i, and C854i:

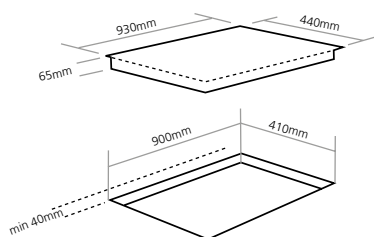
A minimum gap of 50mm is required beneath the hob fans, and a 5mm gap must be left under the worktop at the front of the hob for ventilation.

## Induction hobs

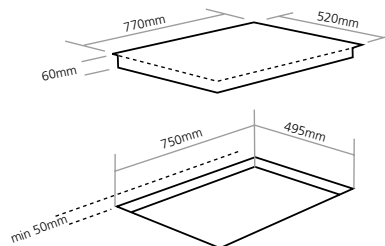
Models:  
C855i



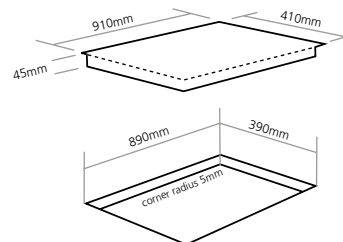
Models:  
C871i



Models:  
C862i



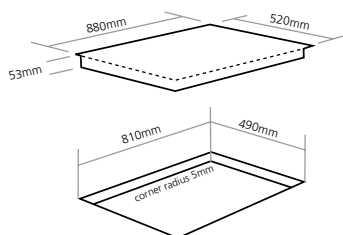
Models:  
C875i



Induction hobs C855i and C862i:

A minimum gap of 50mm is required beneath the hob fans, and a 5mm gap must be left under the worktop at the front of the hob for ventilation.

Models:  
C900i

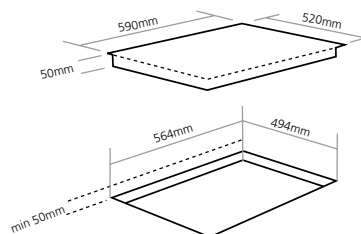


Induction hobs C871i, C875i and C900i:

A minimum gap of 30mm (20mm for C900i and C875i) is required beneath the hob fans, and a 4mm gap must be left under the worktop at the front of the hob for ventilation.

## Electric hobs

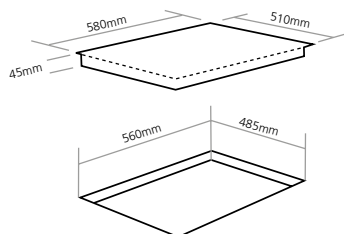
Models:  
C814C  
C813C  
C806C



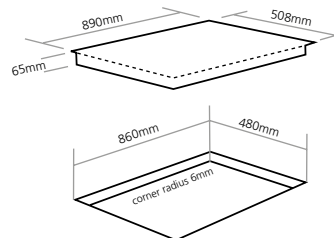
A minimum gap of 50mm is required beneath the hob and a 5mm gap must be left under the worktop at the front of the hob for ventilation.

## Gas hobs

Models:  
C604E

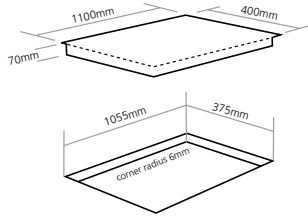


Models:  
C972G

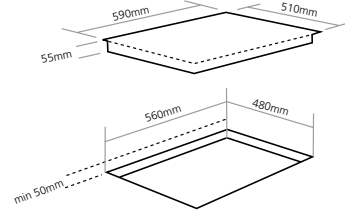


# Gas hobs

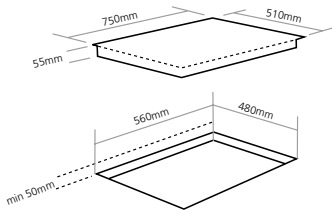
Models:  
C1072G



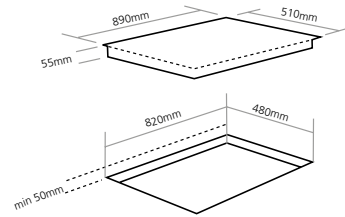
Models:  
C848G



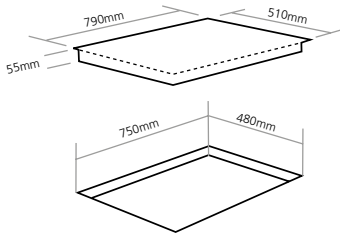
Models:  
C866G



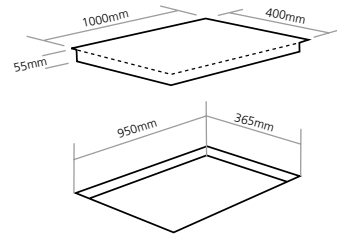
Models:  
C873G



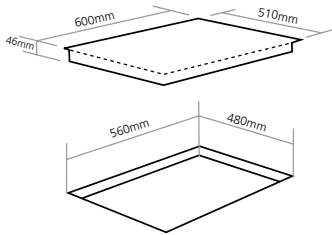
Models:  
C981G



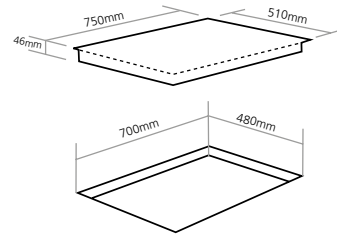
Models:  
C1081G



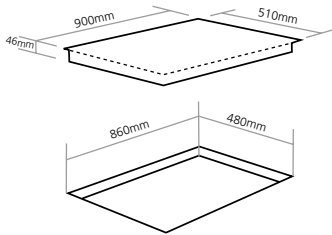
Models:  
C739G



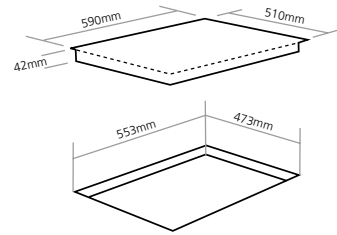
Models:  
C759G



Models:  
C769G

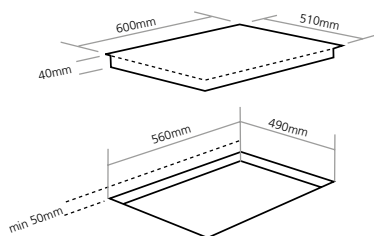


Models:  
C742G

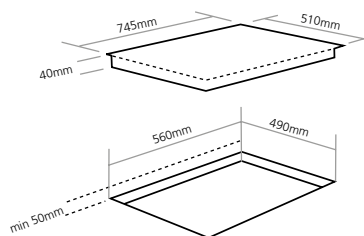


## Gas hobs

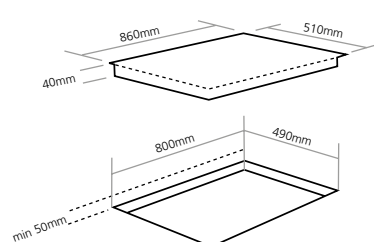
Models:  
C748G



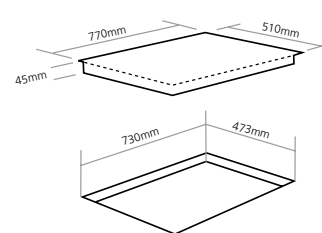
Models:  
C766G



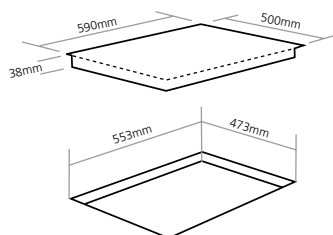
Models:  
C773G



Models:  
C714G

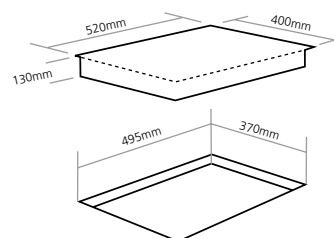


Models:  
C704G

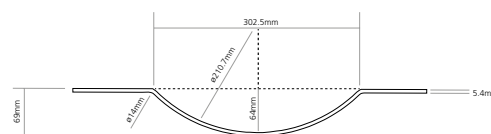
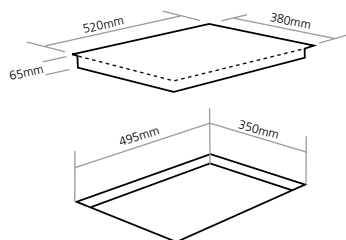


## Modular hobs

Models:  
C930i

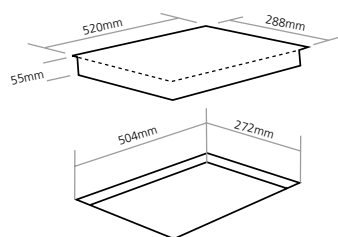


Models:  
C995  
C996i  
C993G

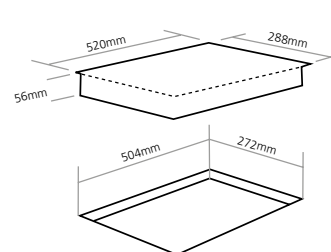


wok radius for C930i

Models:  
C892C



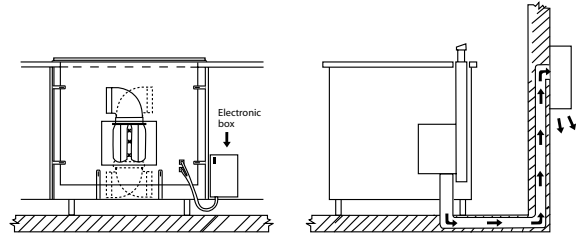
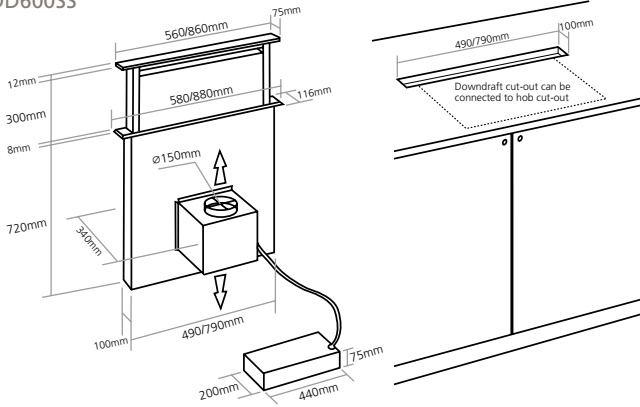
Models:  
C994i



If installed without a gap in between, cut-out width = (no. of hobs - 1) x 288mm + 268mm

## Downdraft extractors

Models:  
DD900SS  
DD600SS



### Installation made easy

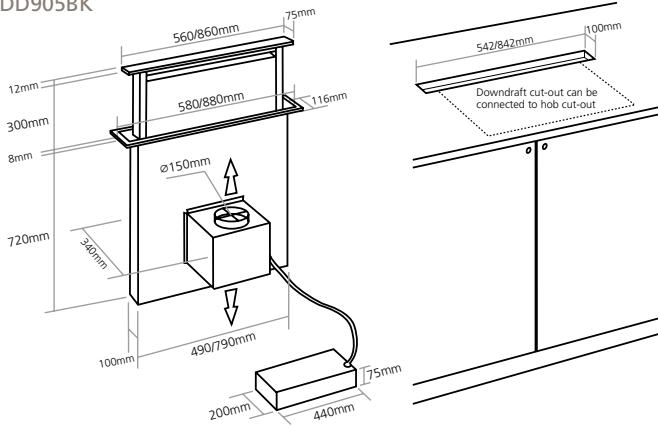
Minimum cabinet depth depends on orientation, hob type and worktop material. Cabinet base may need to be cut or routed to accommodate height of unit. If positioned behind a hob, minimum cabinet width for DD520/600 hoods is 600mm and for DD900/910 hoods is 900mm.

If positioned alongside a hob, the cabinet may need to be reinforced to strengthen where the base has been modified.

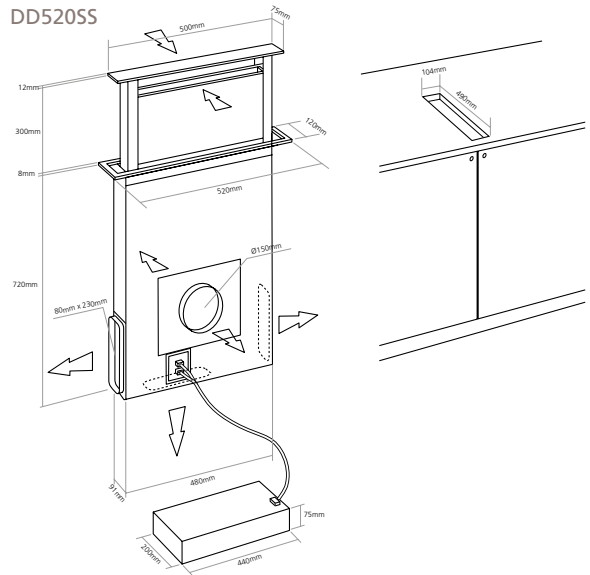
The hood can be fitted right up to either a gas or electric hob, but always ensure that the independent electronics box in the cupboard below is installed at least 650mm from the heat source.

The hood can be ducted from both sides enabling the downdraft to be positioned behind a hob and under-counter oven.

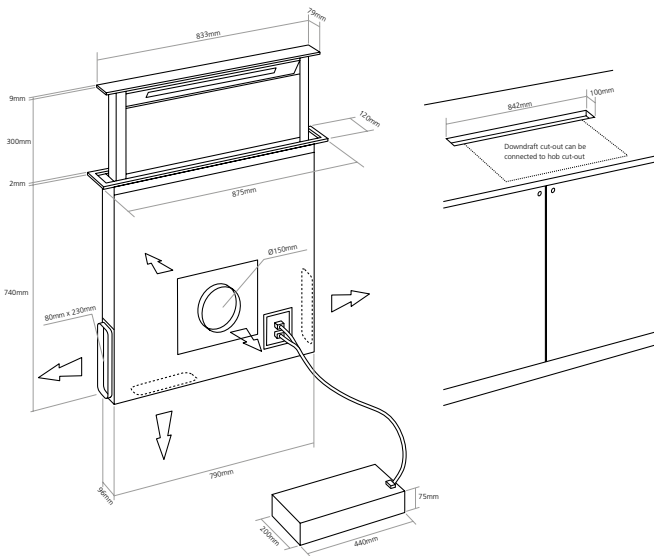
Models:  
DD605BK  
DD905BK



Models:  
DD520BK  
DD520SS

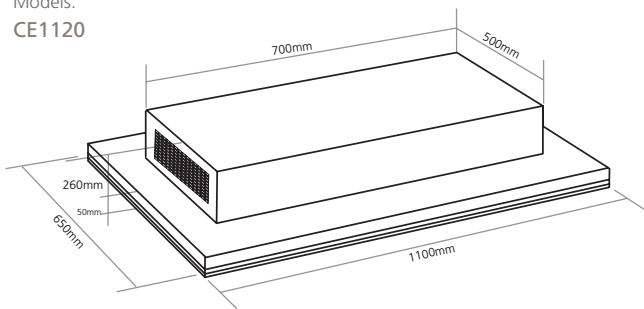


Models:  
 DD910BK  
 DD910SS  
 DD910WH



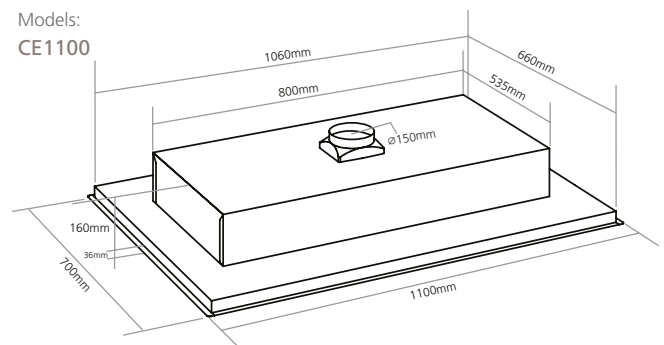
## Ceiling extractors

Models:  
 CE1120



Minimum build in depth 215mm

Models:  
 CE1100

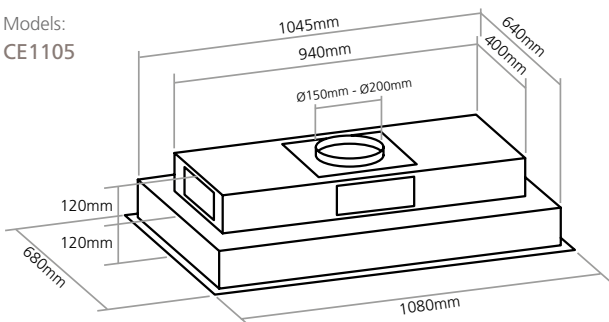


Minimum build in depth 270mm



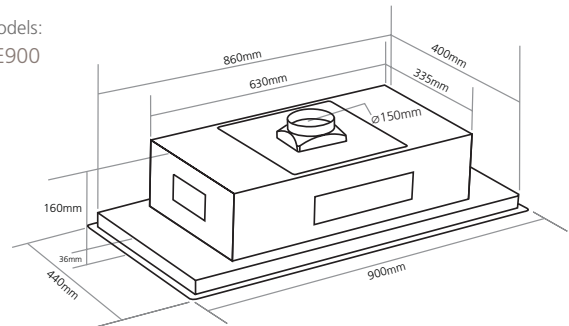
## Ceiling extractors

Models:  
CE1105



Minimum build in depth 270mm

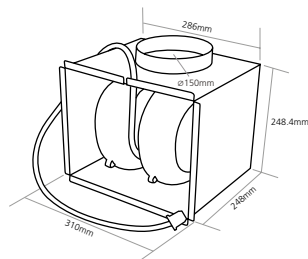
Models:  
CE900



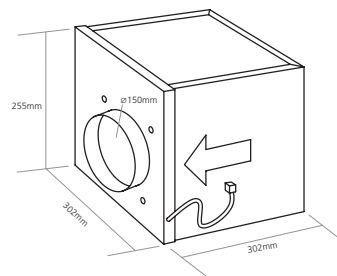
Minimum build in depth 270mm

## Motors

Models:  
DDMEXT1

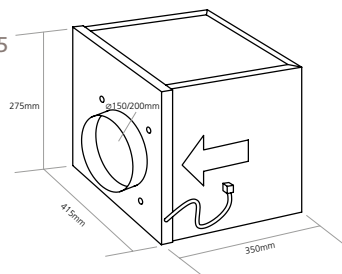


Models:  
DDMEXT2



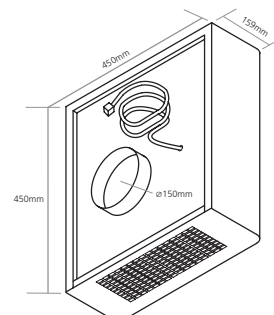
Can be installed up to 7m from the hood.

Models:  
DDMEXT2/5



Can be installed up to 7m from the hood.

Models:  
DDMEXT3

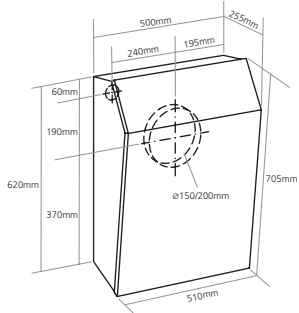


Can be installed up to 7m from the hood.

All hoods to be installed min. 700mm from hob, providing hob output does not exceed 11kW  
Due to the power and fitment of our external motors, rigid ducting must be used.

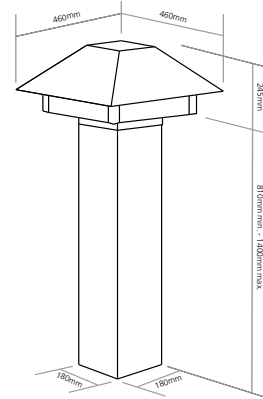
## Motors

Models:  
DDMEXT4



Can be installed up to 7m from the hood.

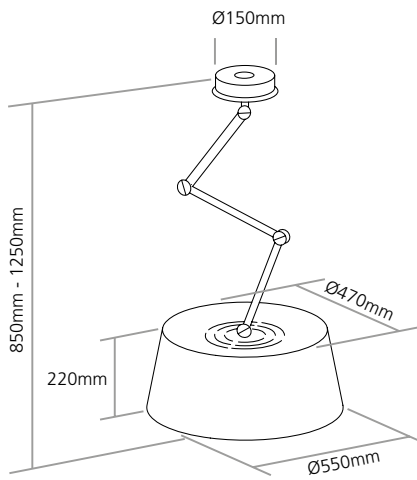
Models:  
DDMEXT5



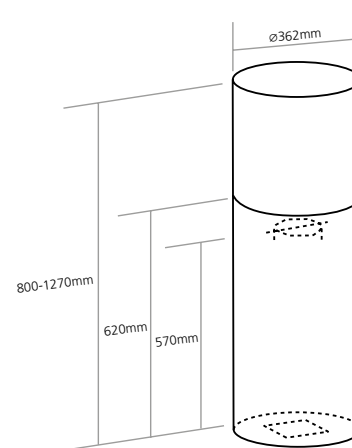
Can be installed up to 7m from the hood.

## Island chimney and island hoods

Models:  
VIE550BK  
VIE550SS  
VIE550WH



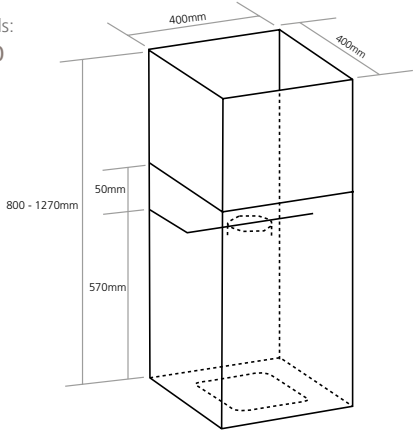
Models:  
Oi360



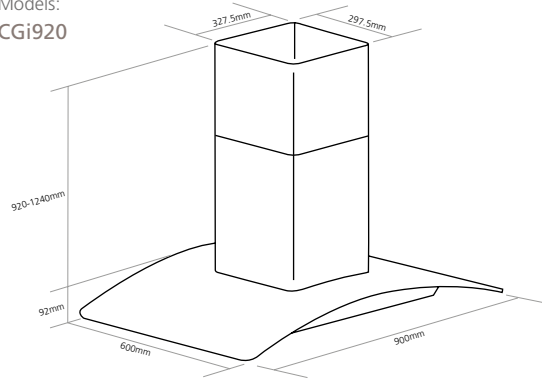
All hoods to be installed min. 700mm from hob, providing hob output does not exceed 11kW  
Due to the power and fitment of our external motors, rigid ducting must be used.

## Island chimney and island hoods

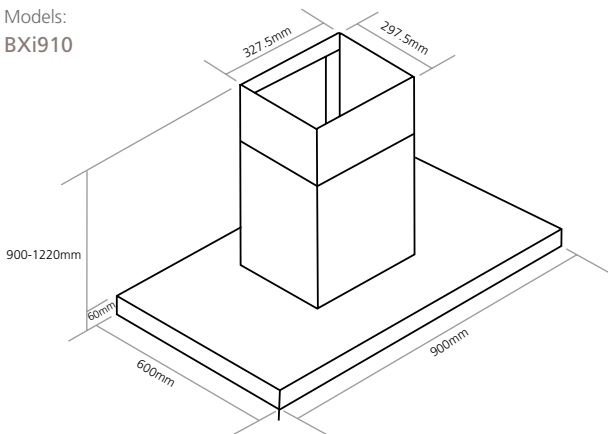
Models:  
Pi400



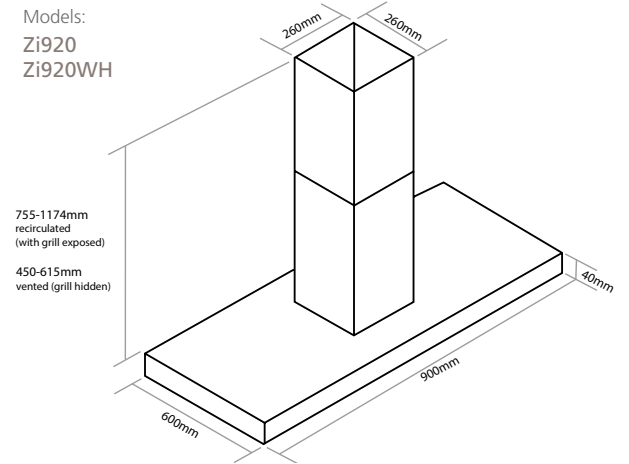
Models:  
CGi920



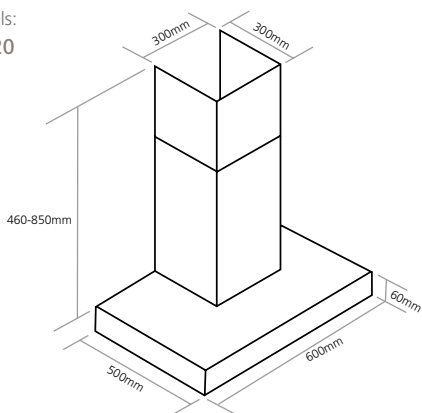
Models:  
Bxi910



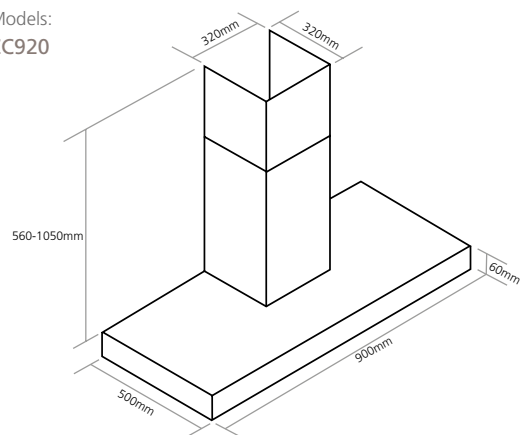
Models:  
Zi920  
Zi920WH



Models:  
ZC620

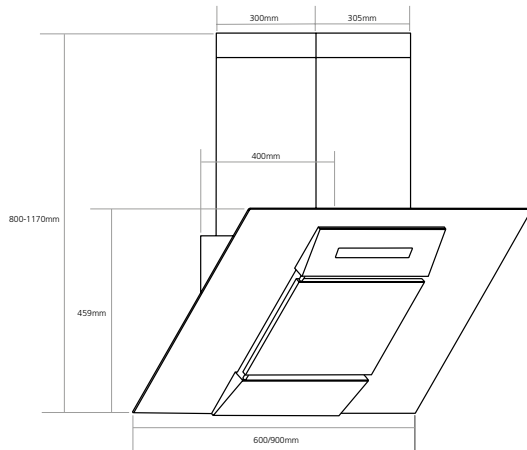


Models:  
ZC920

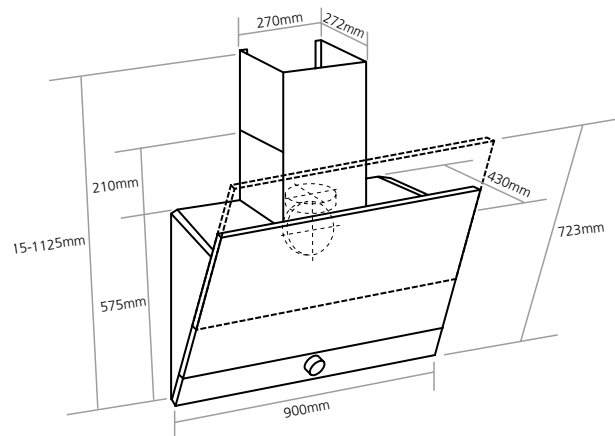
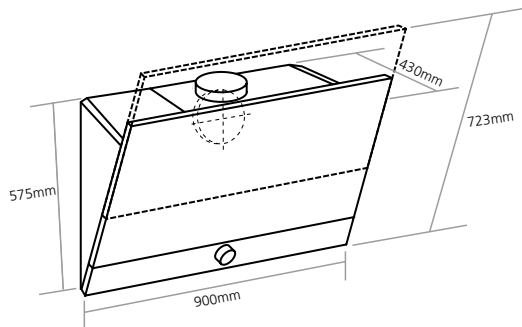


## Wall chimney hoods

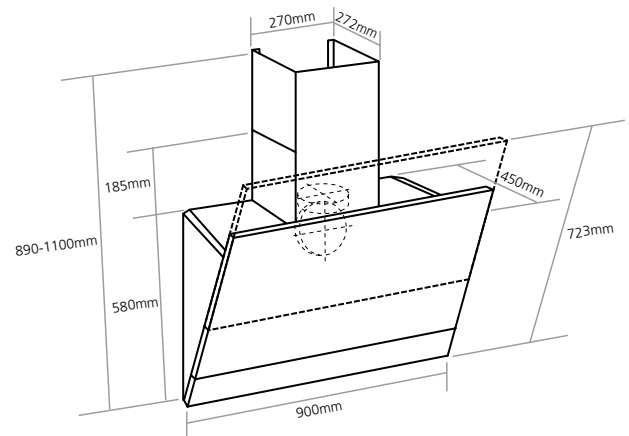
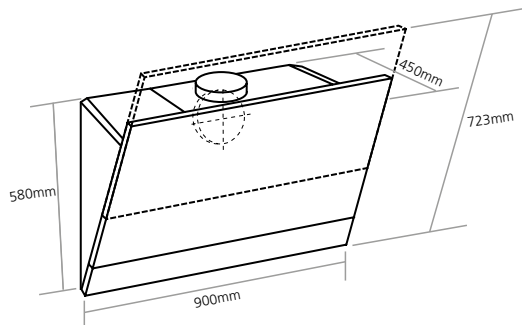
Models:  
 SP610SS  
 SP610BK  
 SP910SS  
 SP910BK



Models:  
 MOT900



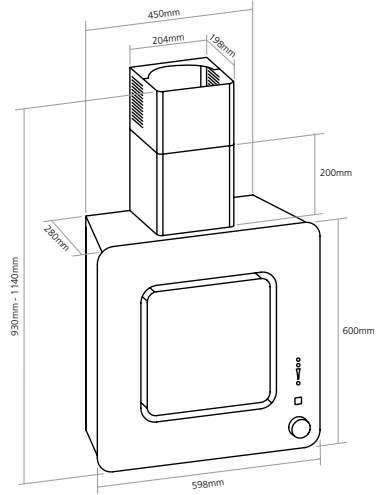
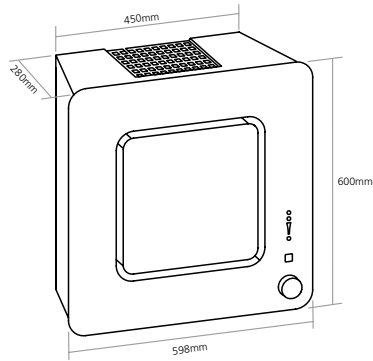
Models:  
 MOT910



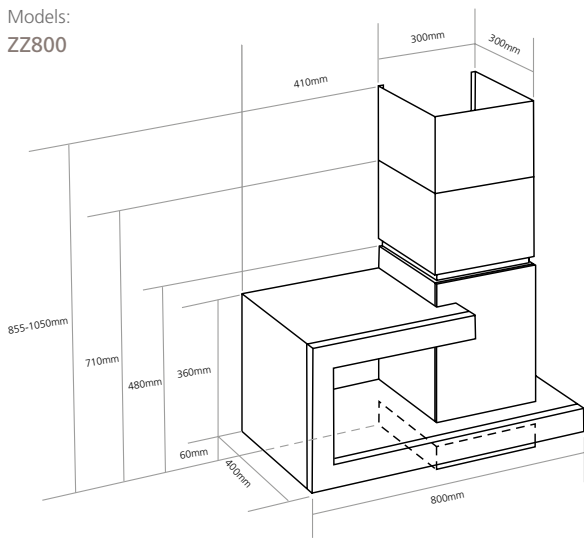
All hoods to be installed min. 700mm from hob, providing hob output does not exceed 11kW

## Wall chimney hoods and wall hoods

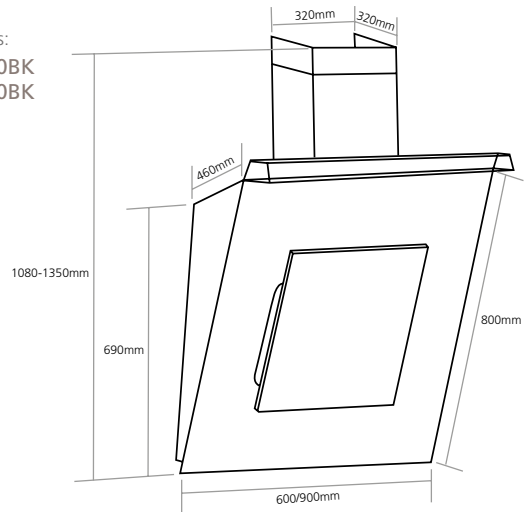
Models:  
LUC600



Models:  
ZZ800



Models:  
AS610BK  
AS910BK

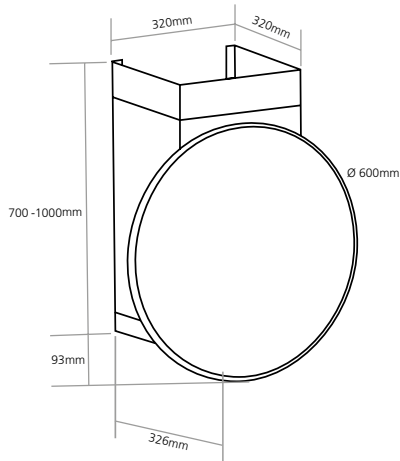


650mm space for electric hobs and 750mm space for gas hobs required from worktop to the mesh filter behind the centre glass panel.

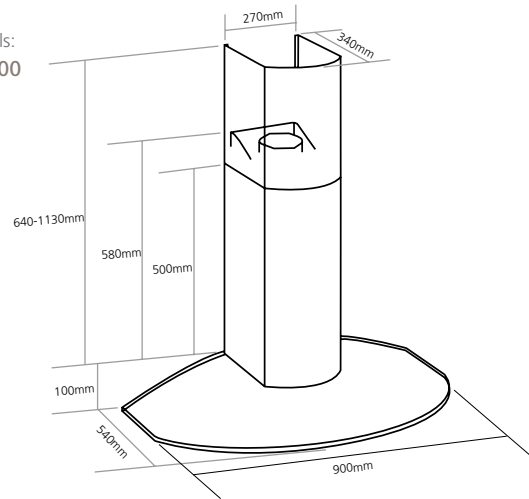
From the lowest point of the hood the distance required is 450mm for electric hobs and 550mm for gas hobs.

## Wall chimney hoods

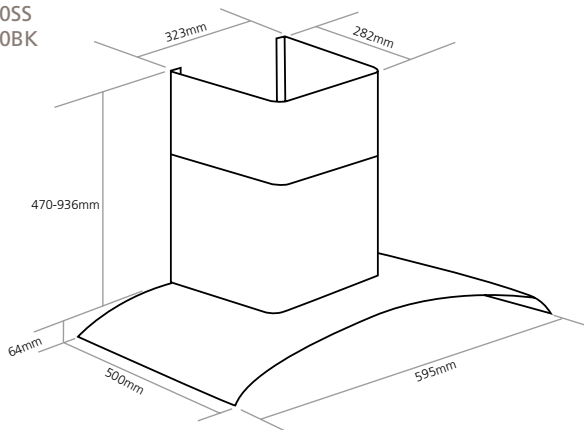
Models:  
LC610BK



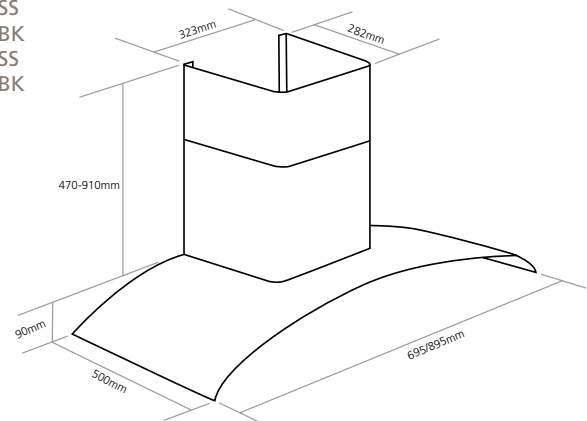
Models:  
MC900



Models:  
CGC610SS  
CGC610BK



Models:  
CGC710SS  
CGC710BK  
CGC910SS  
CGC910BK



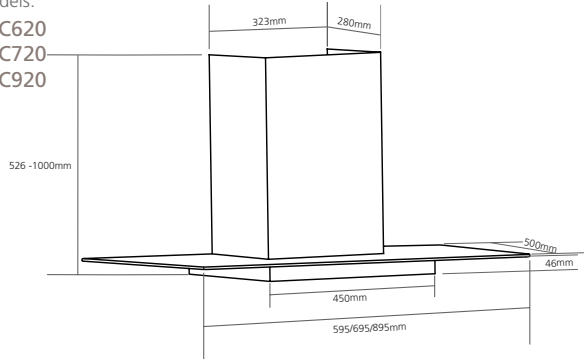
All hoods to be installed min. 700mm from hob, providing hob output does not exceed 11kW



## Wall chimney hoods

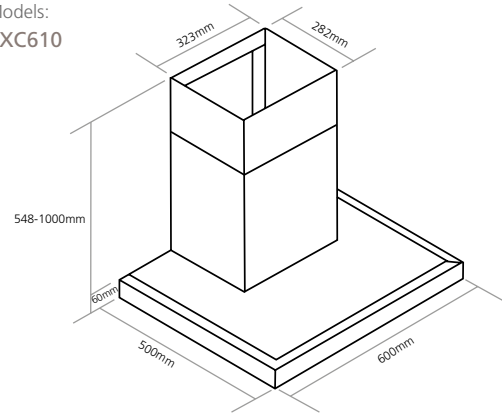
Models:

FGC620  
FGC720  
FGC920



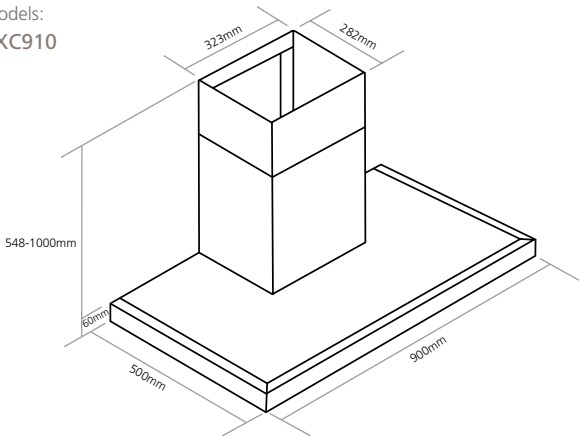
Models:

BXC610



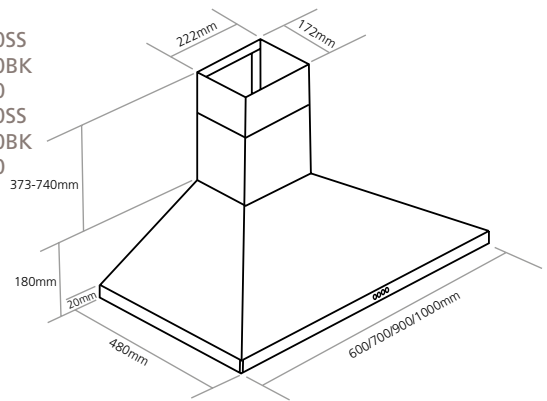
Models:

BXC910



Models:

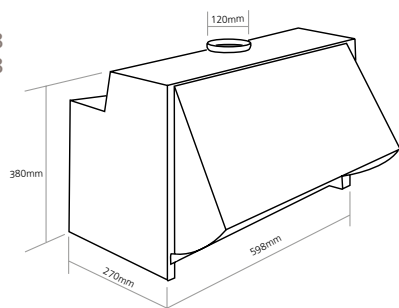
CCH600SS  
CCH600BK  
CCH700  
CCH900SS  
CCH900BK  
CCH100



All hoods to be installed min. 700mm from hob, providing hob output does not exceed 11kW

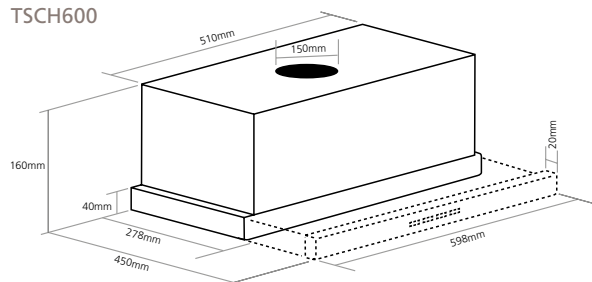
## Integrated hoods

Models:  
2MINCH8  
1MINCH8

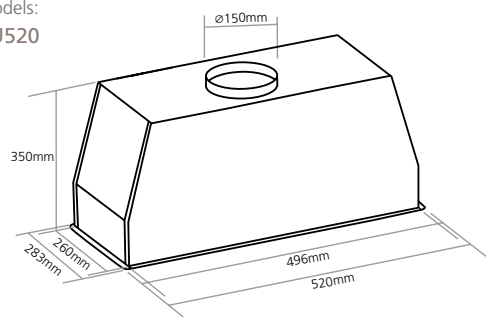


## Built-under hoods

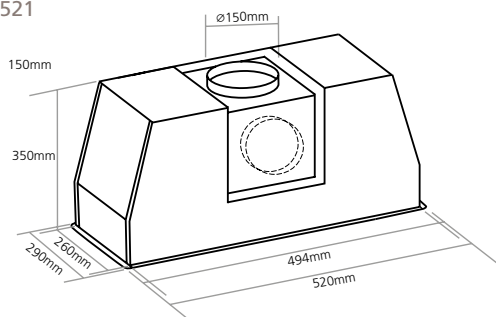
Models:  
TSC600



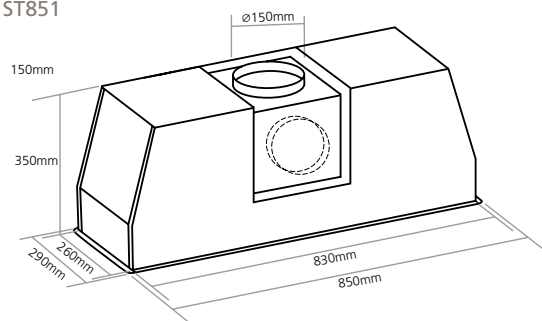
Models:  
BU520



Models:  
ST521



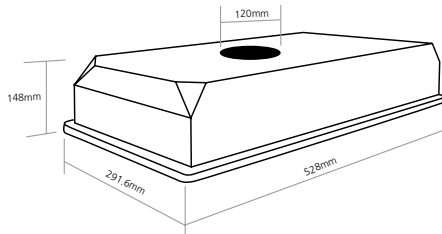
Models:  
ST851



All hoods to be installed min. 700mm from hob, providing hob output does not exceed 11kW

### Built-under hoods

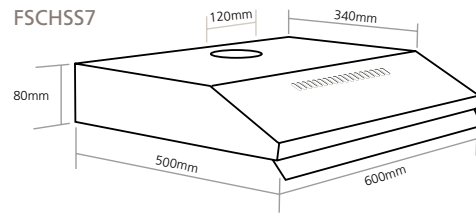
Models:  
2MBUCH2



Cut out 265 x 500mm required

### Conventional hood

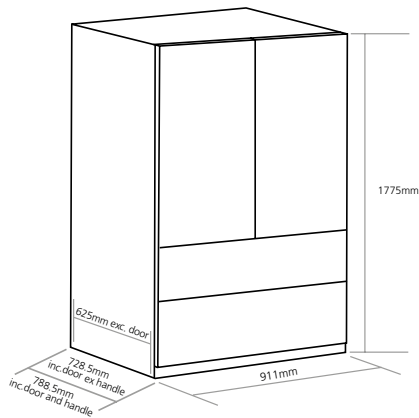
Models:  
F5CHSS7



All hoods to be installed min. 700mm from hob, providing hob output does not exceed 11kW

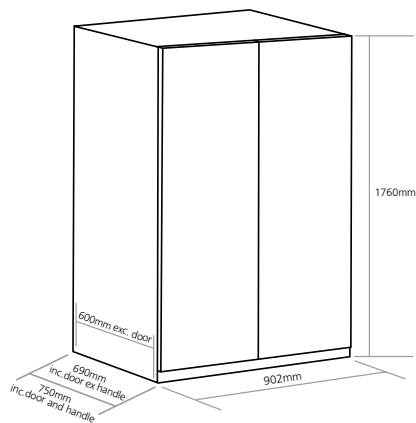
### French door fridge freezers

Models:  
CAFF40SS  
CAFF40BK

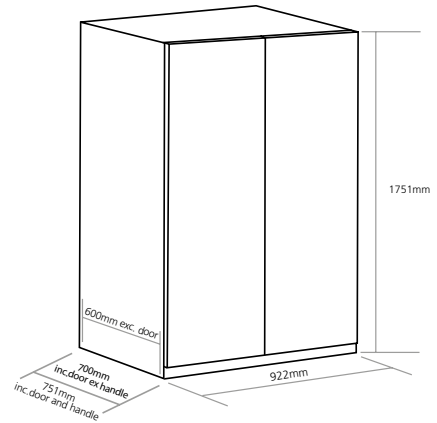


### Side-by-side fridge freezers

Models:  
CAFF205SS  
CAFF205BK  
CAFF205WH

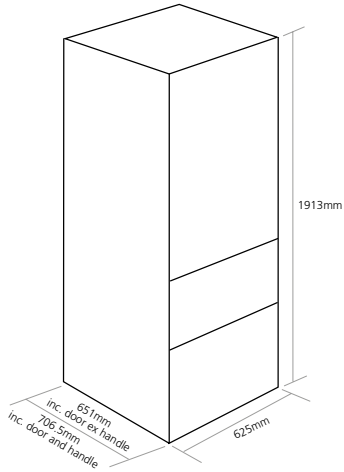


Models:  
CAFF23

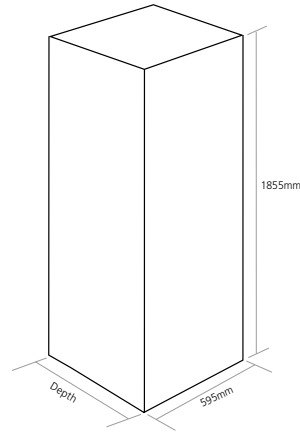


## Freestanding refrigeration

Models:  
RFF60

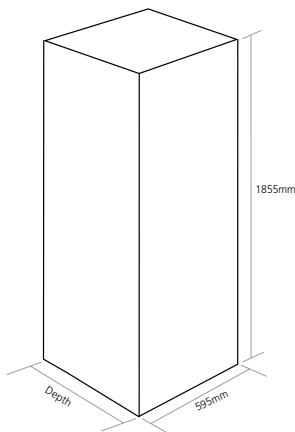


Models:  
RFL71SS  
RFL70WH



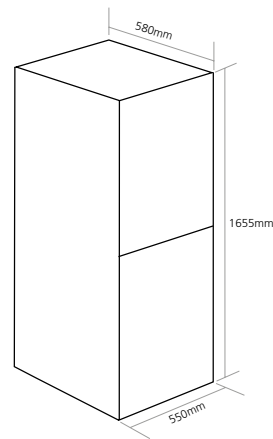
RFL71SS / RFL70WH depth:  
inc door inc handle 685mm  
inc door ex handle 635mm  
ex door ex handle 535mm

Models:  
RFZ71SS  
RFZ70WH



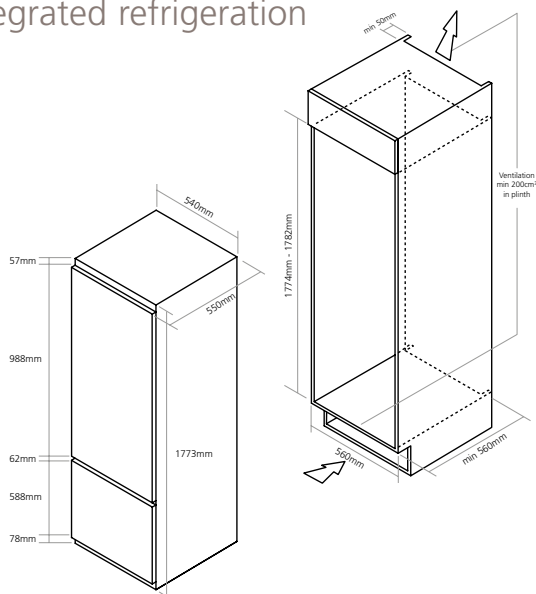
RFZ71SS / RFZ70WH depth:  
inc door inc handle 695mm  
inc door ex handle 645mm  
ex door ex handle 545mm

Models:  
RFF553  
RFF552



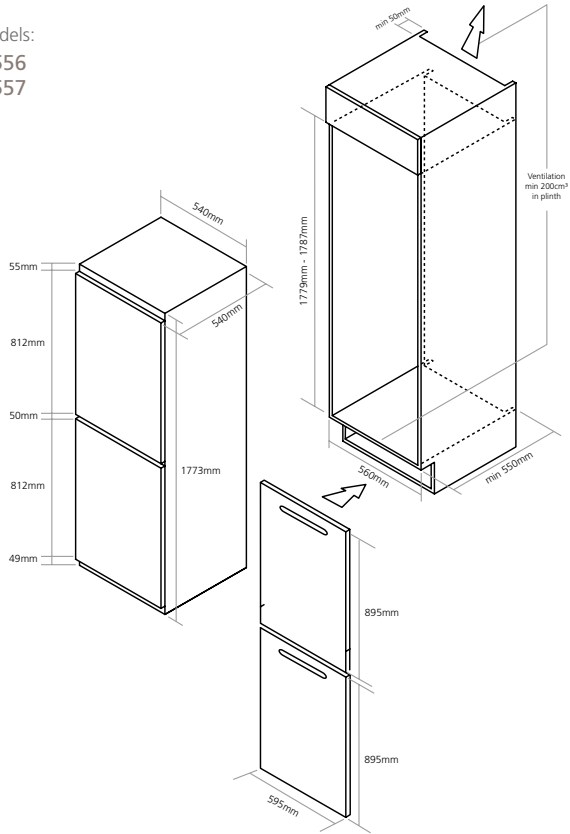
## In-column integrated refrigeration

Models:  
Ri735  
Ri736

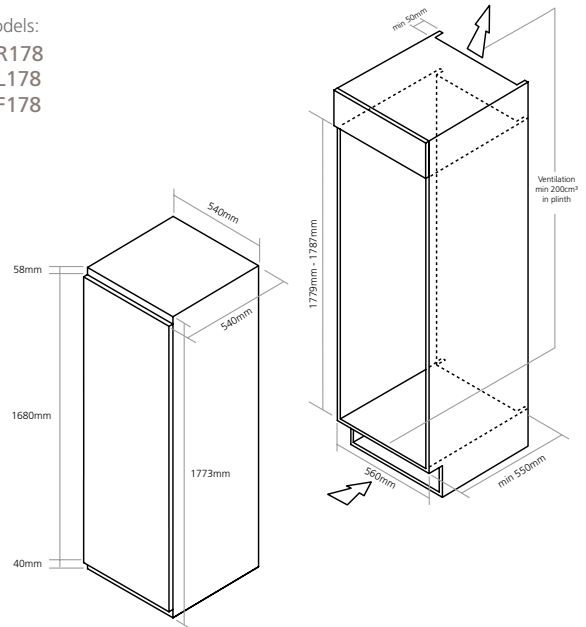


# In-column integrated refrigeration

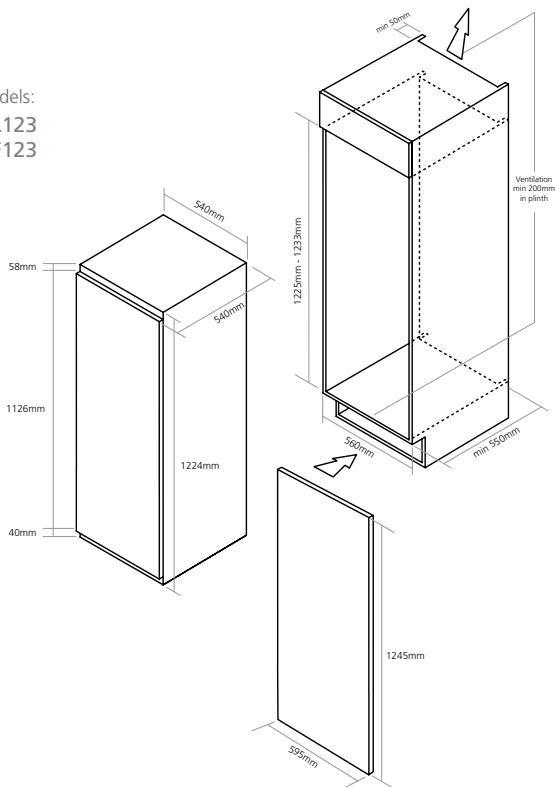
Models:  
Ri556  
Ri557



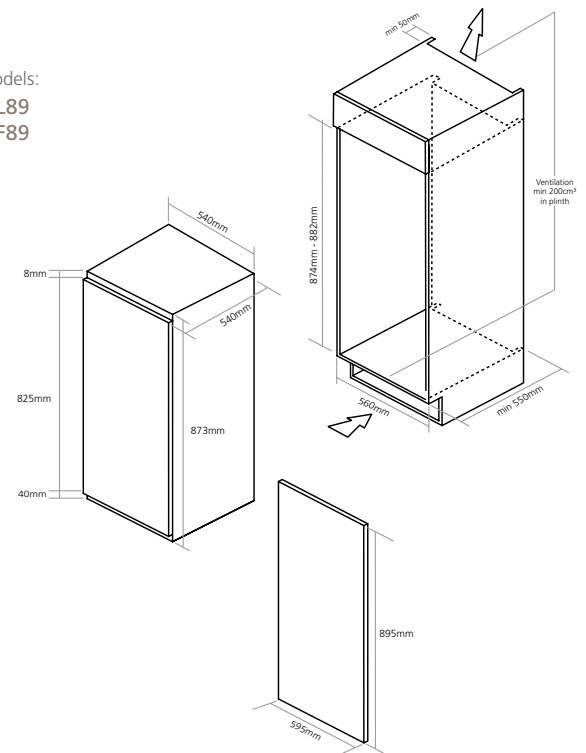
Models:  
RiR178  
RiL178  
RiF178



Models:  
RiL123  
RiF123

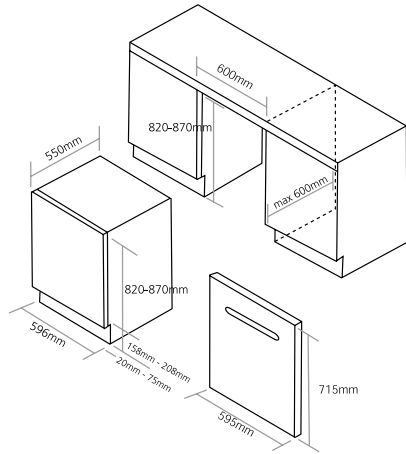


Models:  
RiL89  
RiF89

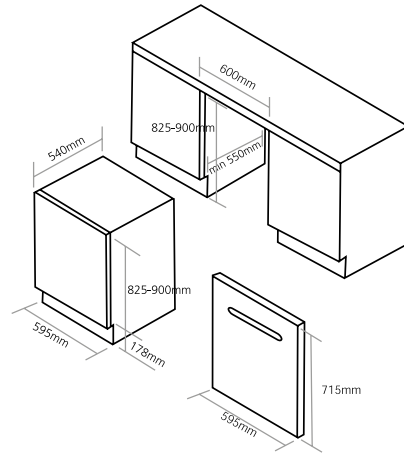


## Built-under integrated refrigeration

Models:  
RBL3  
RBF3

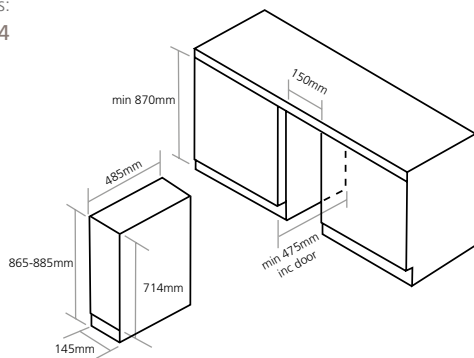


Models:  
RBR5

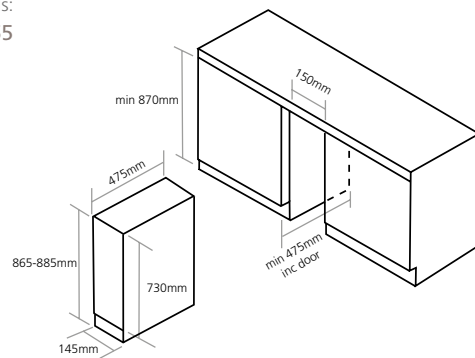


## Undercounter wine cabinets

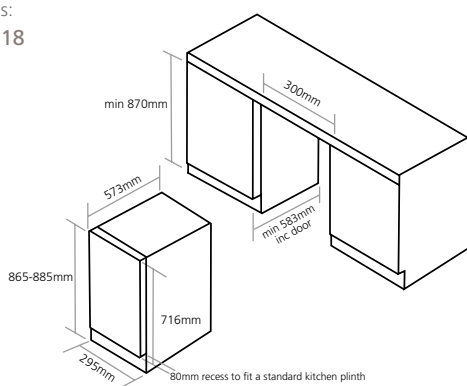
Models:  
Wi154



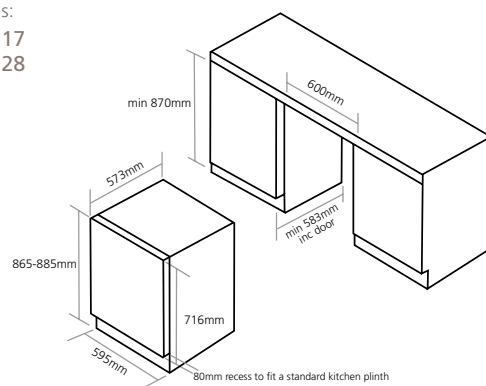
Models:  
Wi155



Models:  
Wi3118



Models:  
Wi6117  
Wi6128



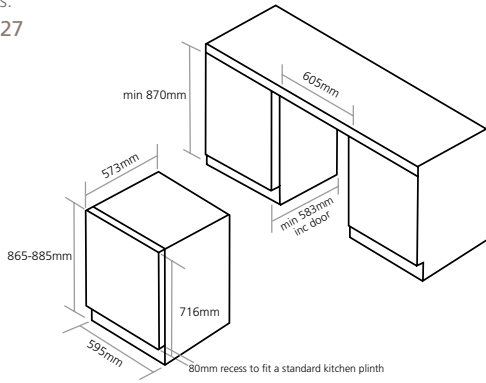
The stainless steel vent grill (as supplied) must be fitted to provide adequate ventilation

The stainless steel vent grill (as supplied) must be fitted to provide adequate ventilation



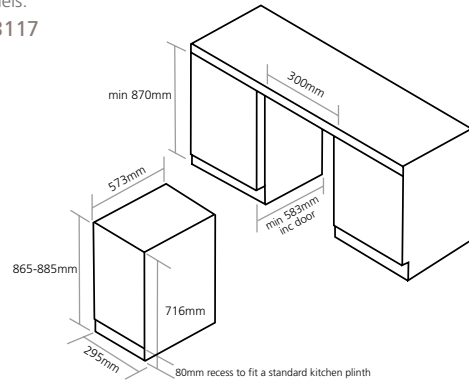
## Undercounter wine cabinets

Models:  
Wi6227



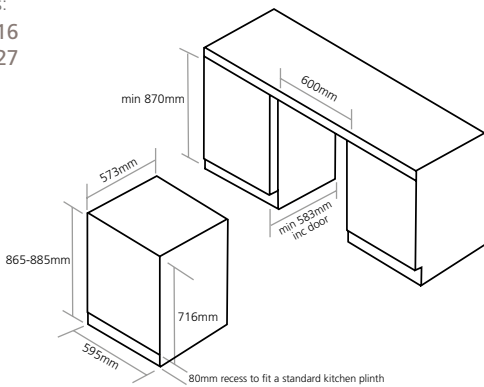
The stainless steel vent grill (as supplied) must be fitted to provide adequate ventilation

Models:  
Wi3117



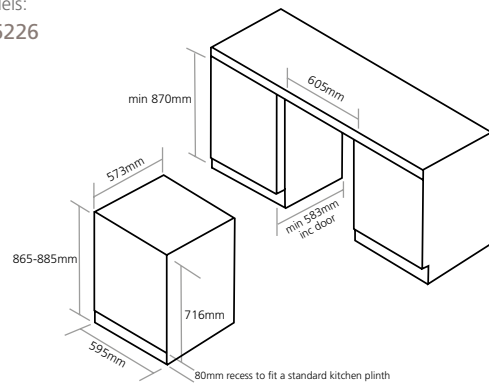
The stainless steel vent grill (as supplied) must be fitted to provide adequate ventilation

Models:  
Wi6116  
Wi6127



The stainless steel vent grill (as supplied) must be fitted to provide adequate ventilation

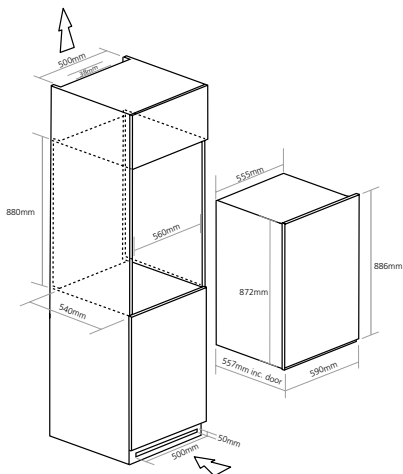
Models:  
Wi6226



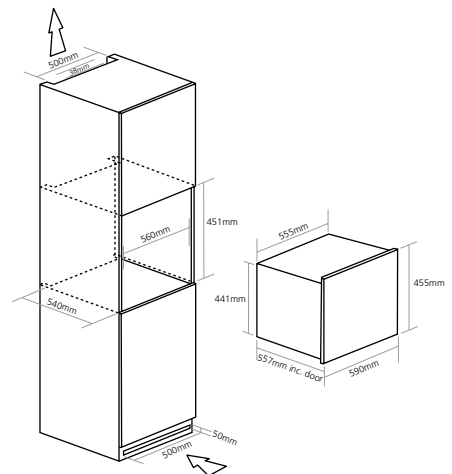
The stainless steel vent grill (as supplied) must be fitted to provide adequate ventilation

## In-column wine cabinets

Models:  
WC6215  
WC6115  
WC6216

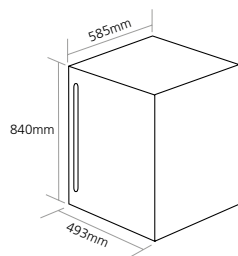


Models:  
WC6111  
WC6112



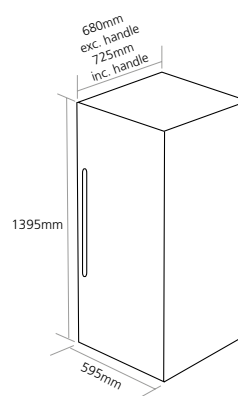
## Freestanding wine cabinets

Models:  
WF333

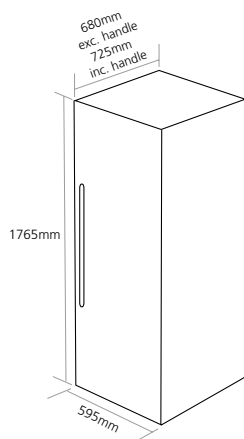


Allow 127mm either side and above for ventilation.

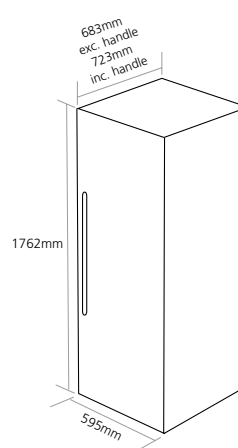
Models:  
WF1104



Models:  
WF1544  
WF1546

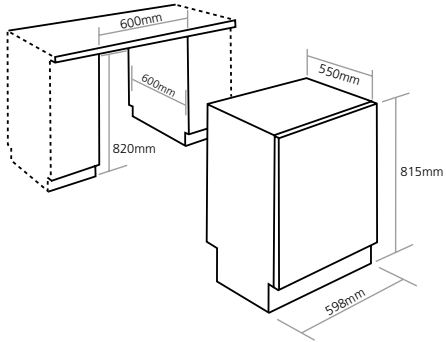


Models:  
WF1547

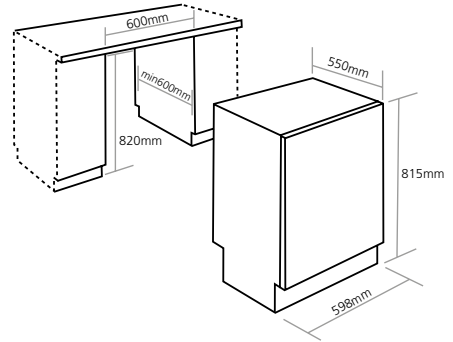


## Integrated dishwashers

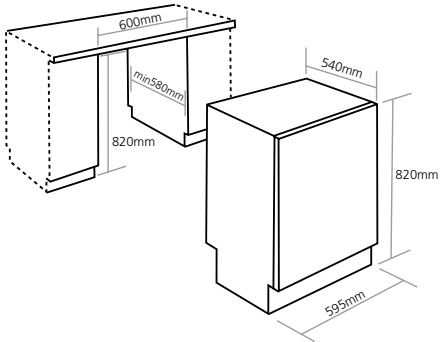
Models:  
Di628



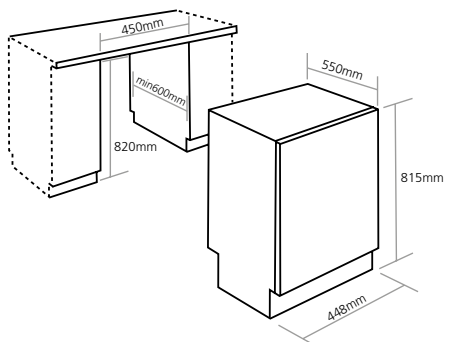
Models:  
Di626



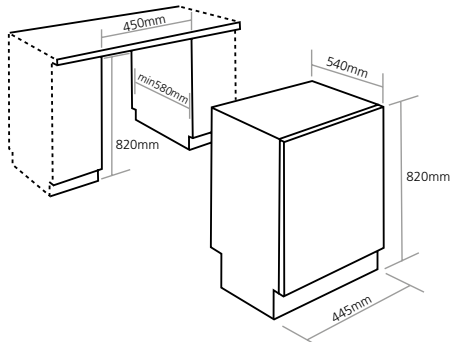
Models:  
Di624



Models:  
Di475

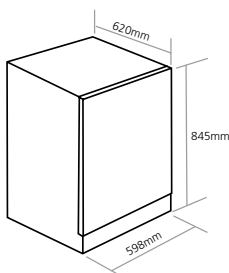


Models:  
Di474

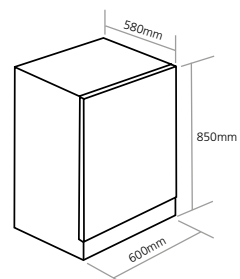


## Freestanding dishwashers

Models:  
DF630

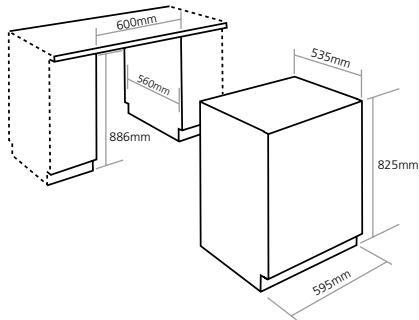


Models:  
DF610

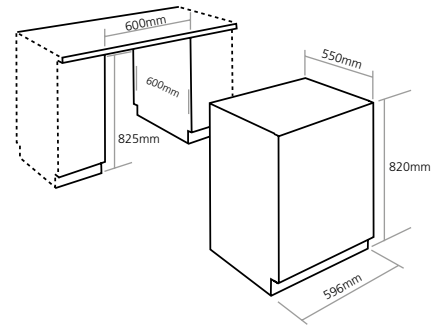


## Integrated washing machines

Models:  
WMi2003  
WDi2203

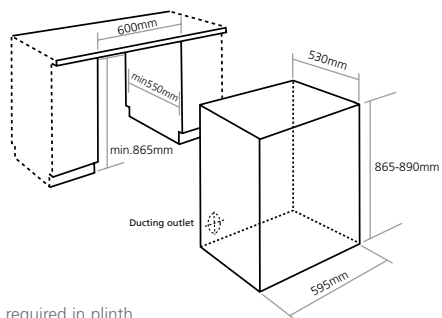


Models:  
WMi2006  
WDi2206



## Integrated tumble dryers

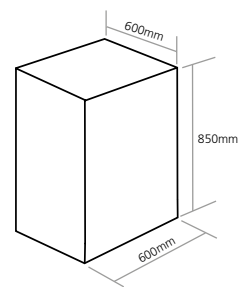
Models:  
TDi100  
TDi110



H 80mm vent slot required in plinth

## Freestanding tumble dryer

Models:  
TDF200



# guarantees and extended warranty

All Caple appliances come with a 2 year parts and labour guarantee.

You can extend this to provide a full 5 years parts and labour protection.

## The benefits of taking out an extended guarantee

The Caple Protection plan has been carefully put together in conjunction with one of the UK's leading warranty specialists, Domestic & General Insurance PLC. Caple customers who take out the extended cover benefit from:

- Up to 5 years parts and labour warranty against breakdown
- A nationwide network of Caple-approved engineers to undertake repairs in the home
- Protection against accidental damage the moment you join
- A replacement appliance should the repair of the original be uneconomic or impossible
- Access to a UK based contact centre, 365 days a year
- Receive a discount of £10 for Direct Debit payments plan enables the cost to be spread over ten months

Here's how much it costs for 5 years cover (which includes the 2 year manufacturers guarantee), either by a one off payment or a Direct Debit (DD) payment plan.

Caple Repair Plan premiums					
	One off	DD		One off	DD
<b>Cooking</b>			<b>Refrigeration</b>		
Built-in single oven	£90.00	£80.00	American fridge freezer (No food spoilage)	£166.50	£156.50
Built-in single oven, hob and hood	£108.00	£98.00	Freezer (No food spoilage)	£70.00	£60.00
Combination microwave oven	£54.00	£44.00	Fridge (No food spoilage)	£62.00	£52.00
Downdraft hood	£91.00	£81.00	Fridge freezer over £500 (No food spoilage)	£117.00	£107.00
Cooker hood	£49.50	£39.50	Fridge freezer up to £500 (No food spoilage)	£90.00	£80.00
Built in/under double oven	£99.00	£89.00	Frost free fridge freezer up to £500 (No food spoilage)	£126.00	£116.00
Double oven, hob and hood	£112.50	£102.50	Wine cabinet	£80.00	£70.00
Hob	£72.00	£62.00	<b>Various</b>		
Microwave oven	£49.50	£39.50	Coffee machine	£99.00	£89.00
Range cooker	£121.50	£111.50	Dishwasher	£108.00	£98.00
Steam oven	£99.00	£89.00	Warming drawer	£72.00	£62.00
<b>Laundry</b>					
Tumble dryer	£139.50	£129.50			
Washer dryer	£184.50	£174.50			
Washing machine	£157.50	£147.50			

Note: Cover is for breakdown only, and includes parts and labour. Premiums include insurance premium tax at 5% (subject to change). Extended warranty application forms are included with all appliances. Guarantees are void if an appliance is used for commercial purposes. Our extended warranty is not available in Southern Ireland.

This plan does not cover commercial use, cosmetic damage, failure to follow manufacturer's instructions, food loss, damage to any other property or possessions.

## After-sales customer support

**Year 1-2** Caple – telephone **0117 938 7420**

**Year 3-5** Domestic and General – telephone **0330 123 0998**

*Calls are charged at the local rate– please check with your provider for actual charges.*

*\* Subject to terms and conditions*

Issue: CA0814

Every effort has been made to reproduce colours and materials accurately, however due to the photography and print processes, colour variations may occur.

Due to our continued product development policy, we reserve the right to modify product specifications and/or dimensions without notice.

Please contact your retailer, call Caple direct on 0117 938 1900, email [info@caple.co.uk](mailto:info@caple.co.uk), or visit our website at [www.caple.co.uk](http://www.caple.co.uk) for further product information.

E & O E





Fourth Way  
Avonmouth  
Bristol  
BS11 8DW

t : 0117 938 1900  
f : 0800 373 163  
e : sales@caple.co.uk  
caple.co.uk

Please add in FSC

design.living

